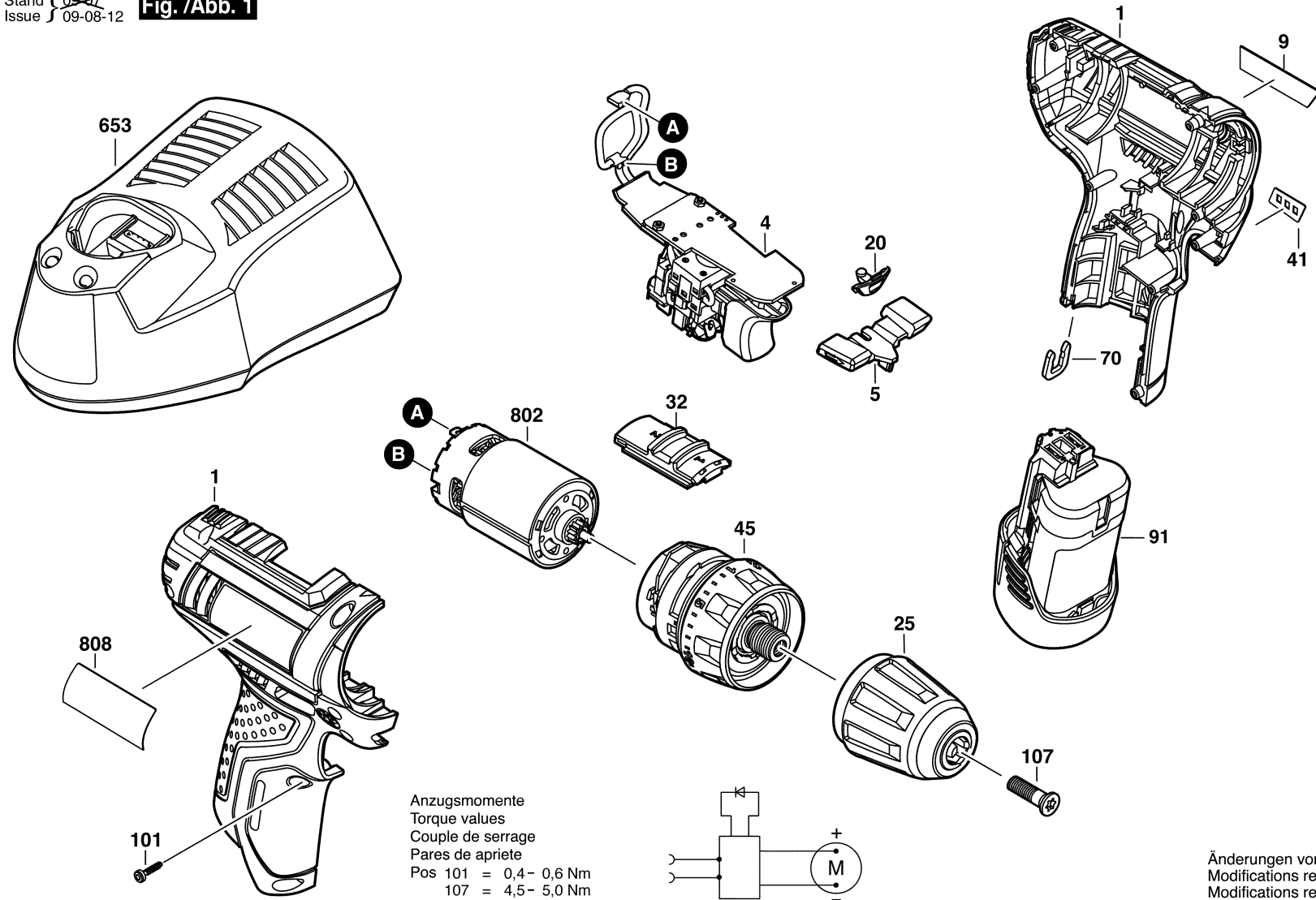
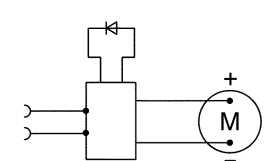


3 601 H68 100  
 Stand } 09-07  
 Issue } 09-08-12

**Fig. /Abb. 1**



Anzugsmomente  
 Torque values  
 Couple de serrage  
 Pares de apriete  
 Pos 101 = 0,4- 0,6 Nm  
 107 = 4,5- 5,0 Nm



Änderungen vorbehalten  
 Modifications reserved  
 Modifications reserves  
 Salvo modificaciones