

# SPARE PARTS LIST

MODEL NO. 2030

ITEM	PART NO.	DESCRIPTION	QTY	NOTE
001	342186-7	SWITCH PROTECTOR	1	
002	911118-1	PAN HEAD SCREW M4X12	6	
003	155512-9	SWITCH PLATE	1	
004	651757-2	SWITCH ABK266	1	
006	685712-2	SPONGE SHEET 60X60	1	
007	911118-1	PAN HEAD SCREW M4X12	1	
009	953206-8	RIVET 2-5	2	
010	815097-4	NAME PLATE 2030	1	
011	231226-5	COMPRESSION SPRING 11	1	
012	911116-5	PAN HEAD SCREW M4X12	2	
013	687600-9	STRAIN RELIEF	1	
014	665231-4	POWER SUPPLY CORD 1.00-3-2.5	1	
015	682540-6	CORD GUARD 9.3-90	1	
016	687639-2	STRAIN RELIEF	1	
017	911118-1	PAN HEAD SCREW M4X12	1	
018	323667-0	STOPPER PIN	1	
019	222060-4	V-PULLEY 3-30 (L)	1	
020	225043-3	POLY V-BELT 3-285	1	
021	951119-7	SPRING PIN 4-24	1	
022	157118-9	GEAR HOUSING COVER	1	
023	911258-5	PAN HEAD SCREW M5X35	4	
024	342558-6	CHAIN COVER (A)	1	
025	911213-7	PAN HEAD SCREW M5X12	2	
026	225508-5	CHAIN 35-76	1	
027	164660-3	CHAIN COVER (B)	1	
028	911263-2	PAN HEAD SCREW M5X40	1	
030	911243-8	PAN HEAD SCREW M5X25	3	
031	911213-7	PAN HEAD SCREW M5X12	2	
032	342559-4	BELT COVER	1	
033	225044-1	POLY V-BELT 9-563	1	
034	222061-2	V-PULLEY 9-30	1	
035	152233-4	BRACKET COMPLETE	1	
036	263005-3	RUBBER PIN 6	1	
037	211106-1	BALL BEARING 6201LLB	1	
038	213102-5	DUST SEAL 12	1	
039	241514-2	FAN 92	1	
040	514548-1	ARMATURE ASS'Y 220V INC. 37-39,42,43	1	220V
041	911942-2	PAN HEAD SCREW M5X95	2	
042	213051-6	DUST SEAL 10	1	
043	211066-7	BALL BEARING 6200LLB	1	
044	524498-2	FIELD ASS'Y 220V	1	220V
045	157116-3	MOTOR HOUSING	1	
046	922451-6	HEX. SOCKET HEAD BOLT M8X30	4	
047	911213-7	PAN HEAD SCREW M5X12	2	
048	284054-7	REAR COVER	1	
049	681002-1	INSULATION WASHER	2	
050	181044-0	CARBON BRUSH CB-153	1	
051	643650-4	BRUSH HOLDER CAP 6.5-13.5	2	
052	253759-0	FLAT WASHER 12	1	
053	226036-3	GEAR COMPLETE 13-52	1	
054	253759-0	FLAT WASHER 12	1	
055	253760-5	FLAT WASHER 14	1	
056	221631-4	HELICAL GEAR 59	1	
057	254001-2	WOODRUFF KEY 4	1	
058	254001-2	WOODRUFF KEY 4	1	
059	325533-7	DRIVING SHAFT	1	
060	253760-5	FLAT WASHER 14	1	
061	163112-1	TENSIONER	1	
062	231745-1	TENSION SPRING 9	1	
063	961110-7	RETAINING RING S-30	1	

# SPARE PARTS LIST

MODEL NO. 2030

ITEM	PART NO.	DESCRIPTION	QTY	NOTE
064	221503-3	SPROCKET 15	1	
065	961052-5	RETAINING RING S-12	1	
066	253758-2	FLAT WASHER 10	1	
067	226035-5	GEAR COMPLETE 11-61	1	
068	253758-2	FLAT WASHER 10	1	
069	211031-6	BALL BEARING 608LLB	1	
070	221630-6	HELICAL GEAR 12	1	
071	211031-6	BALL BEARING 608LLB	1	
072	271211-6	KNOB 70	1	
073	951169-2	SPRING PIN 5-28	1	
074	323668-8	ADJUST POLE	1	
075	951213-5	SPRING PIN 6-24	2	
076	921451-3	HEX. BOLT M8X30	4	
077	941352-9	FLAT WASHER 14	2	
078	311271-7	BAR HOLDER	2	
079	941352-9	FLAT WASHER 14	2	
080	311604-6	ADJUST BED	1	
081	311610-1	RULER	1	
082	134603-9	SUB FRAME ASS'Y	1	
083	961052-5	RETAINING RING S-12	1	
084	155291-9	DRUM COVER	1	
085	231521-3	TORSION SPRING 14	1	
086	256921-6	ROD 12-125	1	
087	812074-7	INDICATION LABEL	1	
088	951119-7	SPRING PIN 4-24	1	
089	271234-4	KNOB 40	1	
090	951125-2	SPRING PIN 4-32	1	
091	812120-6	SCALE PLATE	1	
092	911213-7	PAN HEAD SCREW M5X12	2	
093	265708-5	SCREW M6X20	1	
094	921331-3	HEX. BOLT M6X20	4	
095	342557-8	CHIP GUIDE	1	
096	311608-8	BEARING COVER	1	
097	211256-2	BALL BEARING 6203LLB	1	
098	921676-9	HEX. BOLT M12X55	2	
099	941301-6	FLAT WASHER 12	2	
100	231048-3	COMPRESSION SPRING 13	2	
101	253922-5	CUP WASHER 12	2	
102	256128-4	PIN 10	1	
103	342512-0	RULER HOLDER (R)	1	
104	911223-4	PAN HEAD SCREW M5X16	4	
105	211256-2	BALL BEARING 6203LLB	1	
106	922212-4	HEX. SOCKET HEAD BOLT M5X12	1	
107	222062-0	V-PULLEY 9-63	1	
108	262506-8	URETHANE SLEEVE 10	4	
109	922212-4	HEX. SOCKET HEAD BOLT M5X12	1	
110	152131-2	COUPLING	1	
111	251644-1	HEX. FLANGE HEAD BOLT M8X20	4	
112	941201-0	FLAT WASHER 8	4	
113	342513-8	RULER HOLDER (L)	1	
114	324011-4	RULER BAR (S)	1	
115	323666-2	STOPPER	1	
116	213009-5	O RING 4	1	
117	265708-5	SCREW M6X20	2	
118	911213-7	PAN HEAD SCREW M5X12	2	
119	152232-6	CHIP COVER	1	
120	323674-3	NUT M8-25	1	
121	921421-2	HEX. BOLT M8X16	1	
122	961052-5	RETAINING RING S-12	1	
123	253759-0	FLAT WASHER 12	1	
124	323407-6	TENSION ROLLER	1	

# SPARE PARTS LIST

MODEL NO. 2030

ITEM	PART NO.	DESCRIPTION	QTY	NOTE
125	212104-8	NEEDLE BEARING 1212	1	
126	253759-0	FLAT WASHER 12	1	
127	333125-8	TENSION CORE	1	
128	211261-9	BALL BEARING 6303LLB	1	
129	211261-9	BALL BEARING 6303LLB	1	
130	222059-9	V-PULLEY 3-25	1	
131	311609-6	BEARING BOX	1	
132	911223-4	PAN HEAD SCREW M5X16	4	
133	164506-3	PRESSURE PLATE	1	
134	164703-1	CHIP BREAKER	1	
135	911223-4	PAN HEAD SCREW M5X16	4	
136	231377-4	COMPRESSION SPRING 14	4	
137	157117-1	MAIN FRAME	1	
138	921571-3	HEX. BOLT M10X50	4	
139	256128-4	PIN 10	1	
140	324010-6	RULER BAR (L)	1	
141	341685-6	METAL COVER (A)	2	
142	922221-3	HEX. SOCKET HEAD BOLT M5X16	4	
143	214152-3	PLANE BEARING 14	2	
144	162090-2	ROLLER 50-284	2	
145	254001-2	WOODRUFF KEY 4	2	
146	214152-3	PLANE BEARING 14	2	
147	343844-8	METAL COVER (B)	2	
148	922221-3	HEX. SOCKET HEAD BOLT M5X16	4	
149	221503-3	SPROCKET 15	2	
150	961052-5	RETAINING RING S-12	2	
151	251690-4	HEX. FLANGE HEAD BOLT M8X30	12	
152	345146-8	DRUM COVER 300	4	
153	911213-7	PAN HEAD SCREW M5X12	8	
154	342505-7	BLADE HOLDER 300	2	
155	254218-7	KEY 5	1	
156	161057-7	MAIN DRUM	1	
157	345144-2	DRUM COVER 155	2	
158	342504-9	BLADE HOLDER 155	2	
159	254218-7	KEY 5	1	
160	251690-4	HEX. FLANGE HEAD BOLT M8X30	8	
161	911213-7	PAN HEAD SCREW M5X12	4	
162	161058-5	SUB DRUM	1	
163	931302-2	HEX. NUT M6	4	
164	911362-0	PAN HEAD SCREW M6X40	4	
165	333120-8	COLUMN	2	
166	321293-9	SNAP RING 65	2	
167	411783-1	BELLOWS	2	
168	321294-7	SNAP RING 55	2	
169	931501-6	HEX. NUT M10	1	
170	155336-3	HANDLE 175 COMPLETE	1	
171	941251-5	FLAT WASHER 10	1	
172	273420-3	GRIP 30	1	
173	251904-1	- BOLT M10	1	
175	941251-5	FLAT WASHER 10	4	
176	951293-1	SPRING PIN 8-90	2	
178	265356-0	HEX. BOLT M10X105	4	
179	441073-8	STABLE BASE	1	
180	441072-0	STABLE BASE	1	
181	311607-0	BASE	1	
182	951257-5	SPRING PIN 8-20	1	
183	951257-5	SPRING PIN 8-20	1	
184	325534-5	SCREW M24	1	
185	254001-2	WOODRUFF KEY 4	1	
186	331346-6	PIPE 42-505	1	
187	221317-0	STRAIGHT BEVEL GEAR 16	1	

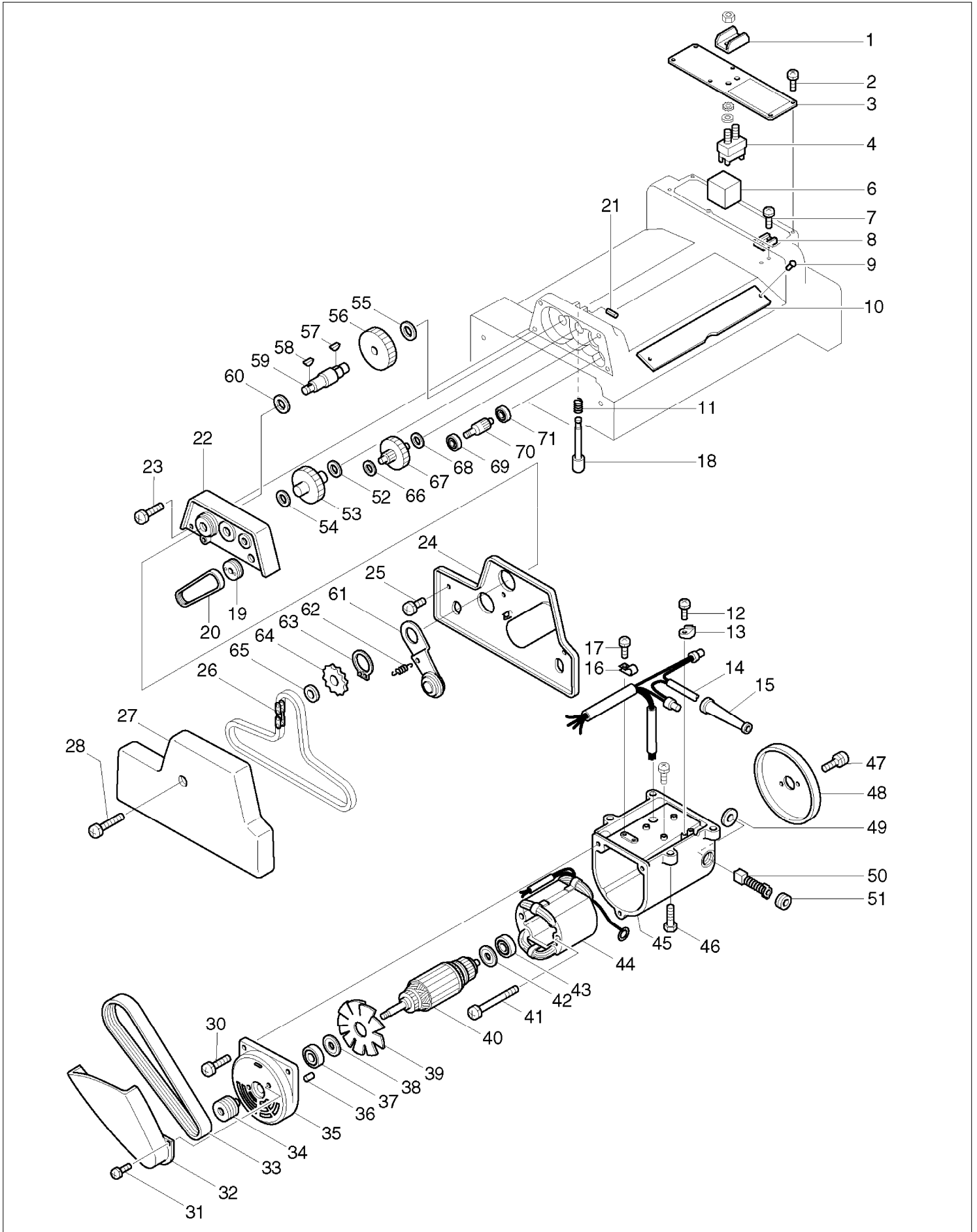
# SPARE PARTS LIST

MODEL NO. 2030

ITEM	PART NO.	DESCRIPTION	QTY	NOTE
188	212211-7	THRUST NEEDLE BEARING 1528	1	
189	921432-7	HEX. BOLT M8X20	1	
190	331214-3	PIPE 42-465	1	
191	231267-1	COMPRESSION SPRING 19	1	
192	325535-3	HANDLE SHAFT	1	
193	254001-2	WOODRUFF KEY 4	1	
194	922351-0	HEX. SOCKET HEAD BOLT M6X30	4	
195	311606-2	HANDLE SUPPORTER	1	
196	221317-0	STRAIGHT BEVEL GEAR 16	1	
197	961055-9	RETAINING RING S-15	1	
198	253843-1	FLAT WASHER 12	1	
199	942301-9	SPRING WASHER 12	1	
200	931601-2	HEX. NUT M12	1	
201	911352-3	PAN HEAD SCREW M6X30	4	
202	931302-2	HEX. NUT M6	4	
203	311605-4	MAIN BED	1	
204	331089-0	RULER	1	
205	912221-1	COUNTERSUNK HEAD SCREW M5X16	2	
206	331088-2	SCALE BAR	1	
207	265708-5	SCREW M6X20	1	
208	231005-1	COMPRESSION SPRING 7	1	
210	214054-3	PLANE BEARING 10	4	
211	321057-1	ROD 10-315	4	
212	333123-2	ROLLER 26-265	4	
213	214054-3	PLANE BEARING 10	4	
215	134568-5	ADJUST SCREW ASS'Y	1	
217	951290-7	SPRING PIN 8-80	2	
219	253794-8	FLAT WASHER 18	1	
220	816017-1	SCALE LABEL	1	
221	953206-8	RIVET 2-5	1	
400	123006-2	SHARPENING HOLDER ASS'Y	1	
404	762001-3	TRIANGULAR RULE	1	
405	781202-4	WRENCH 10-13	1	
406	251690-4	HEX. FLANGE HEAD BOLT M8X30	2	
407	783002-8	(+) SCREWDRIVER 2	1	
408	793018-5	PLANER BLADE 306	1	
409	793014-3	PLANER BLADE 155	1	
410	411908-7	LEVELLER FOR SETTING BLADE	1	
411	323707-4	EXTENSION GUIDE	1	
412	782213-2	SOCKET WRENCH 13	1	
413	441074-6	WOODEN LEVELLER	2	
414	824001-2	PLASTIC CASE	1	

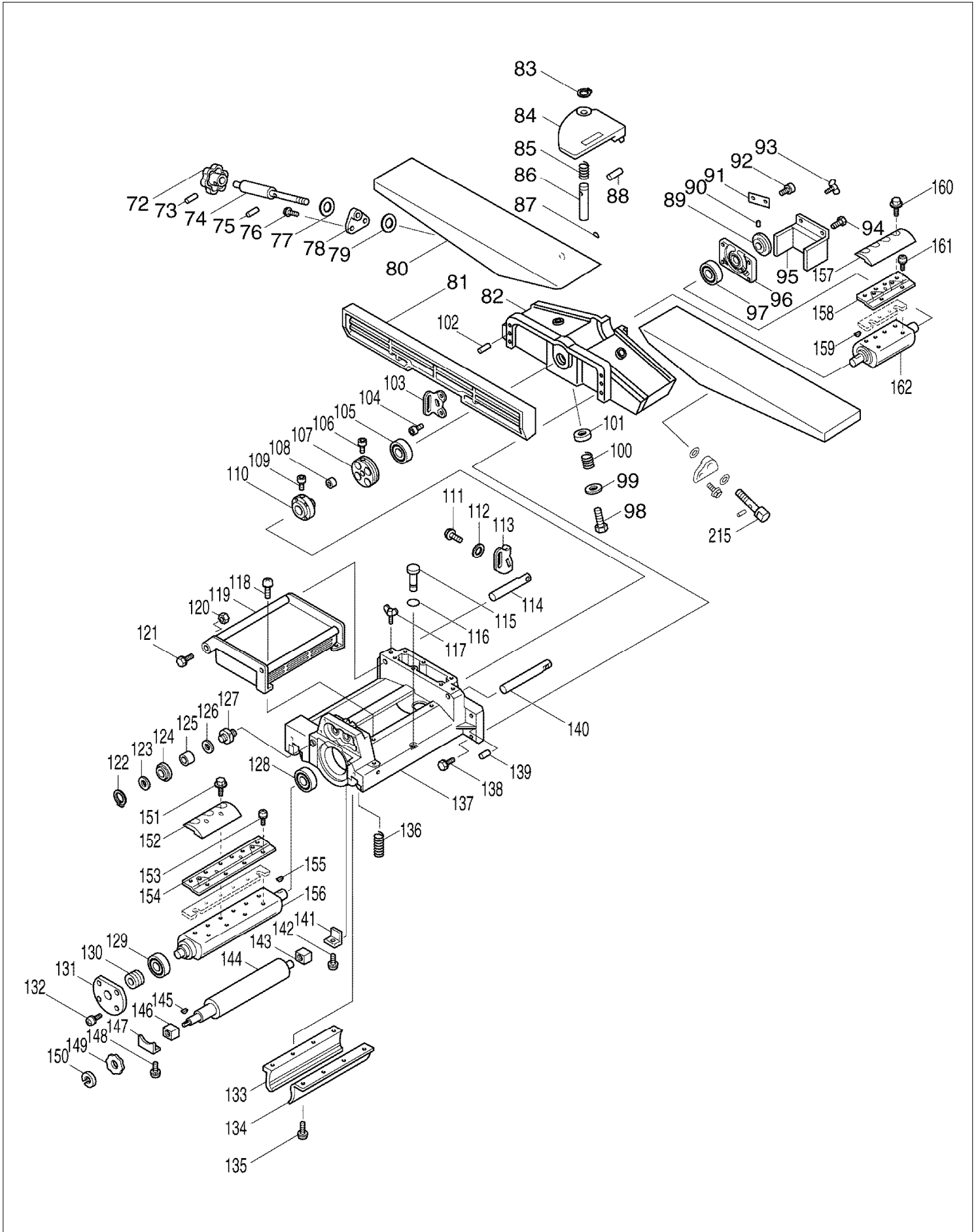
# SERVICE DRAWING

MODEL NO. 2030



# SERVICE DRAWING

MODEL NO. 2030



# SERVICE DRAWING

MODEL NO. 2030

