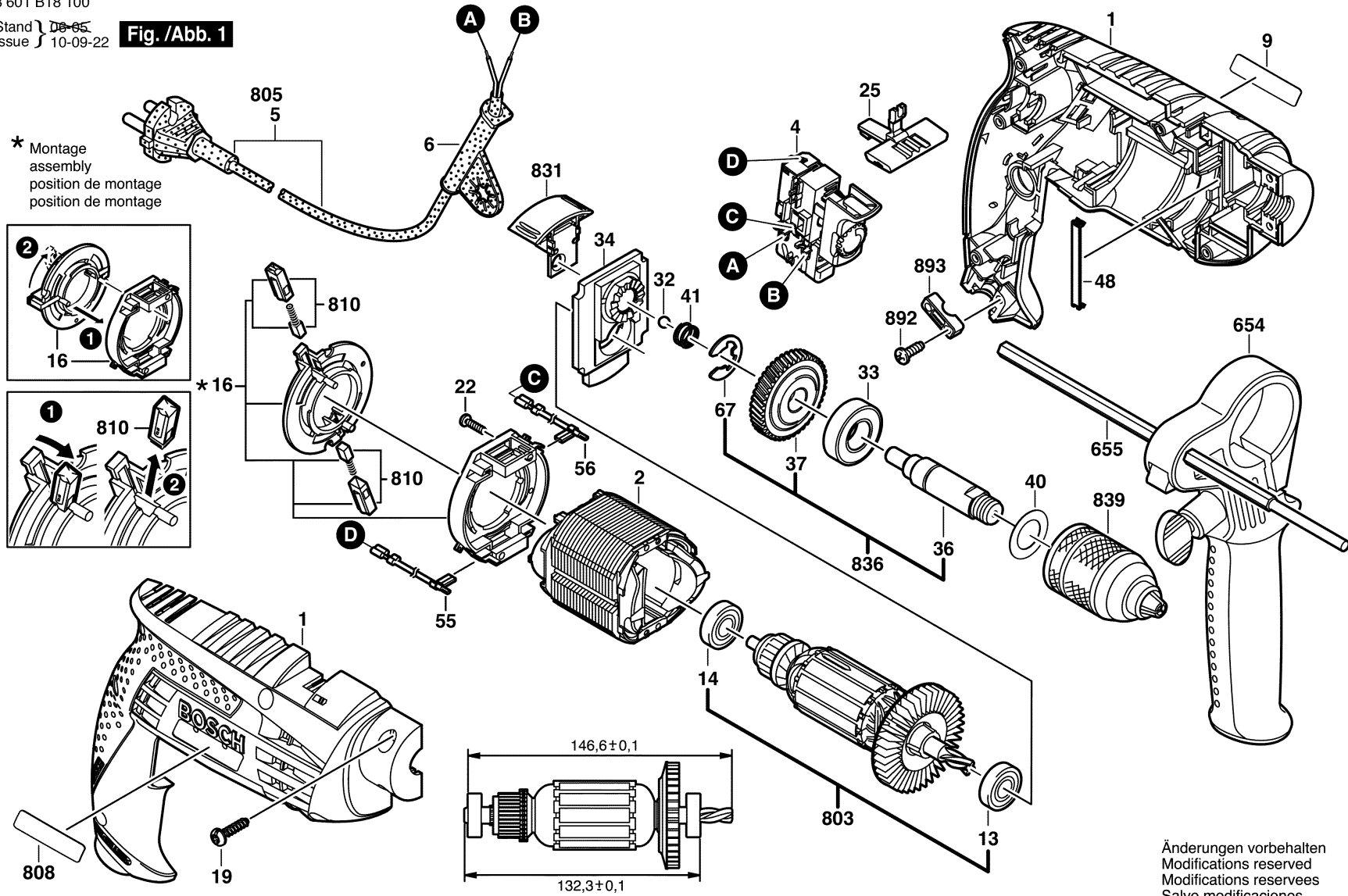


3 601 B18 100

Stand 10-09-22
 Issue 10-09-22

Fig./Abb. 1

* Montage
 assembly
 position de montage
 position de montage



Änderungen vorbehalten
 Modifications reserved
 Modifications reserves
 Salvo modificaciones