

SPARE PARTS LIST

MODEL NO. HM1800

ITEM	PART NO.	DESCRIPTION	QTY	NOTE
001	322566-3	SCREW SEAL	1	
002	211256-2	BALL BEARING 6203LLB	1	
003	267706-5	WASHER 17	1	
004	514993-0	ARMATURE ASS'Y 220V INC. 1-3,5,6	1	
005	681646-7	INSULATION WASHER	1	
006	211066-7	BALL BEARING 6200LLB	1	
007	213406-5	O RING 30	1	
008	159530-9	MOTOR HOUSING B COMPLETE INC. 7	1	
009	191957-7	A.C. CARBON BRUSH CB-204	1	
010	643710-2	BRUSH HOLDER CAP	2	
011	941151-9	FLAT WASHER 6	4	
012	265914-2	HEX. SOCKET HEAD BOLT M6X25	4	
013	240024-6	FAN 100	1	
014	253165-9	FLAT WASHER 8	1	
015	931402-8	HEX. NUT M8	1	
016	265344-7	+ HEX. BOLT M5X85	2	
017	624953-5	FIELD 220V	1	
018	414787-2	MOTOR HOUSING A	1	
019	212358-7	NEEDLE BEARING 2520	1	
020	254001-2	WOODRUFF KEY 4	2	
021	213507-9	O RING 40	1	
022	256151-9	PIN 5	1	
023	159531-7	GEAR HOUSING COMPLETE INC. 21,29	1	
024	211209-1	BALL BEARING 6202	1	
025	254001-2	WOODRUFF KEY 4	2	
026	226251-9	SPUR GEAR 22	1	
027	211361-5	BALL BEARING 6305LLB	1	
028	213476-4	OIL SEAL 35	1	
029	213721-7	O RING 61	1	
030	213806-9	O RING 90	1	
031	152414-0	CRANK SHAFT COMPLETE	1	
032	316550-8	CRANK HOUSING	1	
033	213806-9	O RING 90	1	
034	414785-6	CRANK HOUSING CAP	1	
035	414786-4	CAP COVER	1	
036	251390-6	+ PAN HEAD SCREW M5X18	4	
037	221793-8	HELICAL GEAR 50	1	
038	211209-1	BALL BEARING 6202	1	
039	922496-4	HEX. SOCKET HEAD BOLT M8X75	4	
040	262538-5	RUBBER SLEEVE 8	1	
041	251389-1	+ COUNTERSUNK HEAD SCREW M8X28	1	
042	324062-7	HANDLE BASE	1	
043	418415-1	SIDE HANDLE	1	
044	941152-7	FLAT WASHER 6	4	
045	922341-3	HEX. SOCKET HEAD BOLT M6X25	4	
046	254001-2	WOODRUFF KEY 4	2	
047	931602-0	HEX. NUT M12	2	
048	942301-9	SPRING WASHER 12	2	
049	941301-6	FLAT WASHER 12	2	
050	322565-5	HANDLE SHAFT	1	
051	415148-9	NYLON BUSH 15	2	
052	316792-4	GEAR HOUSING COVER	1	
053	211214-8	BALL BEARING 6302	1	
054	961060-6	RETAINING RING S-20	1	
055	226242-0	SPUR GEAR 47	1	
056	331416-1	SLEEVE 25	1	
057	962301-3	RETAINING RING R-62	1	
058	922331-6	HEX. SOCKET HEAD BOLT M6X20	4	

SPARE PARTS LIST

MODEL NO. HM1800

ITEM	PART NO.	DESCRIPTION	QTY	NOTE
059	941152-7	FLAT WASHER 6	4	
060	419324-7	MOTOR HOUSING COVER	1	
061	322476-4	CONECTING ROD	1	
062	213469-1	O RING 35	1	
063	268061-8	PIN 15	1	
064	322480-3	PISTON CYLINDER	1	
065	213666-9	O RING 52	1	
066	322563-9	STRIKER	1	
067	262050-5	RUBBER RING 54	1	
068	322548-5	CYLINDER B	1	
069	213660-1	O RING 53	1	
070	922677-0	HEX. SOCKET BOLT M12X55	4	
071	942301-9	SPRING WASHER 12	4	
072	316313-2	CYLINDER A	1	
073	213805-1	O RING 85	1	
074	322560-5	RETAINER RING	2	
075	233083-7	COMPRESSION SPRING 12	2	
076	322477-2	TOOL RETAINER POLE	2	
077	256219-1	PIN 4	2	
078	324236-0	TOOL RETAINER	1	
079	324238-6	TOOL RETAINER SHAFT	1	
080	951272-9	SPRING PIN 8-40	2	
081	265989-1	HEX. SOCKET BOLT M12X45	4	
082	253989-3	SPRING WASHER 12	4	
083	322551-6	TOOL HOLDER 29	1	
084	213755-0	O RING 75	1	
085	213517-6	X RING 40	1	
086	322564-7	IMPACT BOLT	1	
087	213667-7	O RING 60	1	
088	322549-3	IMPACT BOLT HOLDER	1	
089	665883-1	POWER SUPPLY CORD 1.0-2-5.0	1	
090	682546-4	CORD GUARD 12-125	1	
091	922381-1	HEX. SOCKET HEAD BOLT M6X60	4	
092	941152-7	FLAT WASHER 6	4	
093	182553-2	HANDLE SET	1	
		INC. 104		
094	324062-7	HANDLE BASE	1	
095	233149-3	COMPRESSION SPRING 12	1	
096	953106-2	RIVET 0-5	4	
097	857090-2	NAME PLATE HM1800	1	
098	922356-0	HEX. SOCKET HEAD BOLT M6X35	3	
099	316312-4	REAR CASE	1	
100	256151-9	PIN 5	1	
102	687052-4	STRAIN RELIEF	1	
103	265995-6	TAPPING SCREW 4X18	2	
104	182553-2	HANDLE SET	1	
		INC. 93		
105	911248-8	PAN HEAD SCREW M5X28	3	
106	685725-3	SPONGE SHEET	1	
107	645105-5	NOISE SUPPRESSOR	1	
108	651131-4	SWITCH C3D-15MS	1	
109	418332-5	SWITCH LEVER	1	
110	421330-0	DUST COVER	1	
111	341397-1	PLATE 50	1	
112	442009-0	PACKING 50	1	
113	911211-1	PAN HEAD SCREW M5X12	4	
114	421484-3	CUSHION RUBBER	1	
115	265995-6	TAPPING SCREW 4X18	2	
116	418331-7	SWITCH COVER	1	
117	418333-3	HANDLE	1	
118	421850-4	DUST PLATE	1	

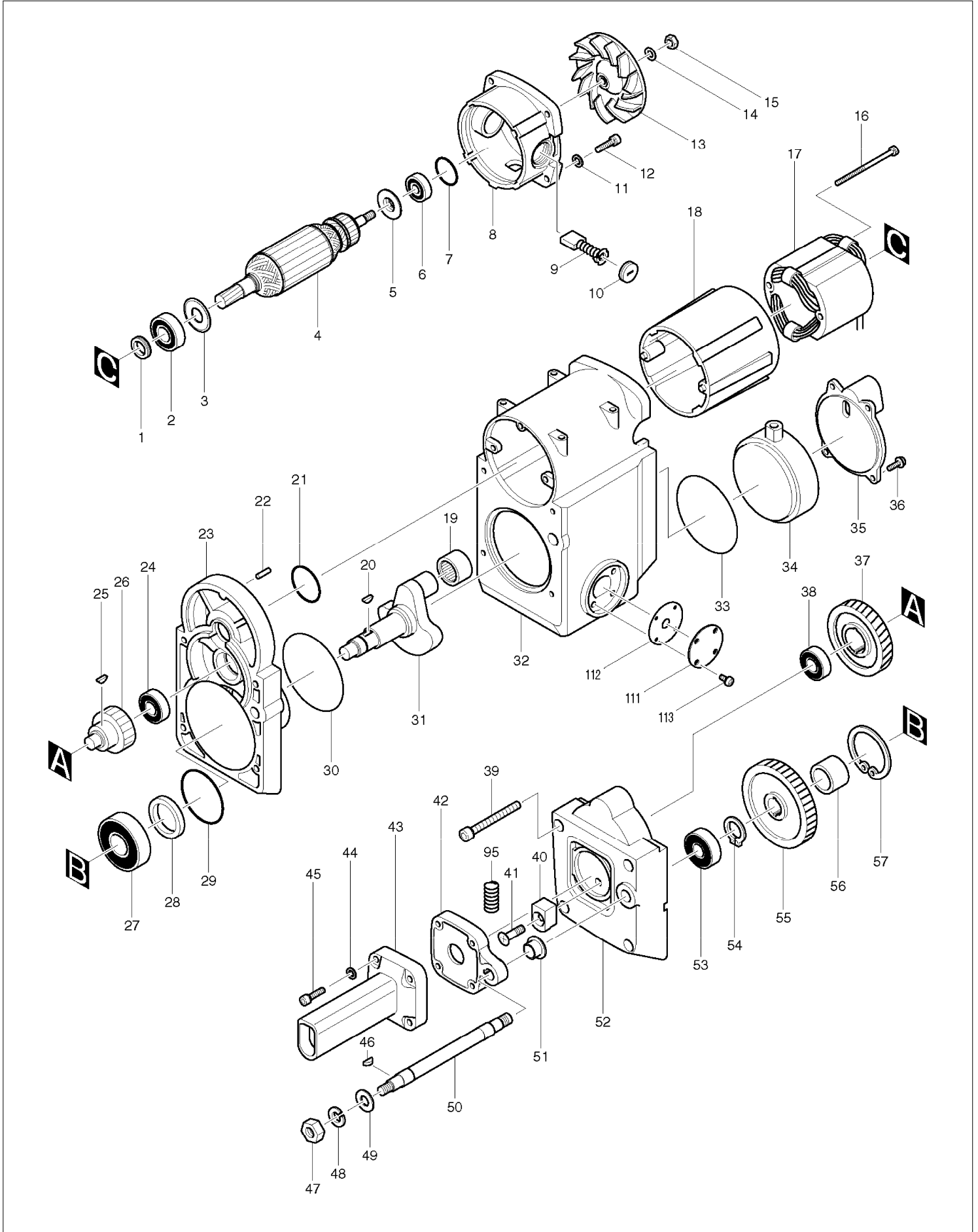
SPARE PARTS LIST

MODEL NO. HM1800

ITEM	PART NO.	DESCRIPTION	QTY	NOTE
119	256206-0	PIN 4	1	
120	345355-9	SUPPORT	1	
121	265995-6	TAPPING SCREW 4X18	2	
122	419044-3	HANDLE SUB BASE	1	
A01	783203-8	HEX. WRENCH 5	1	

SERVICE DRAWING

MODEL NO. HM1800



SERVICE DRAWING

MODEL NO. HM1800

