



# Illustrated Parts List

## Model Series

# 10D900

TYPE NUMBERS  
0100 through 5000.

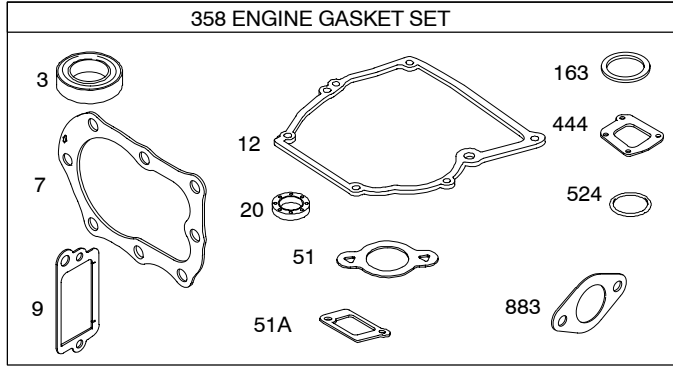
### TABLE OF CONTENTS

<b>Air Cleaner</b> .....	5
<b>Blower Housing</b> .....	7
<b>Brakes</b> .....	6
<b>Camshaft</b> .....	3
<b>Carburetor</b> .....	4
<b>Controls</b> .....	5
<b>Crankcase Cover/Sump</b> .....	3
<b>Crankshaft</b> .....	3
<b>Cylinder</b> .....	2
<b>Cylinder Head</b> .....	2
<b>Engine/Valve Gasket Sets</b> .....	2
<b>Flywheel</b> .....	7
<b>Fuel Supply</b> .....	4
<b>Governor Spring</b> .....	5
<b>Ignition</b> .....	5
<b>Lubrication</b> .....	2
<b>Muffler</b> .....	6
<b>Piston/Rings/Connecting Rod</b> .....	3
<b>Rewind Starter</b> .....	7

PRINTED IN U.S.A.

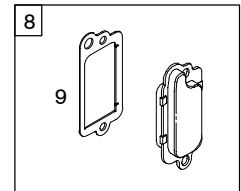
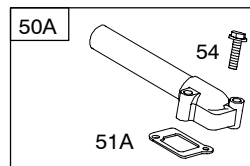
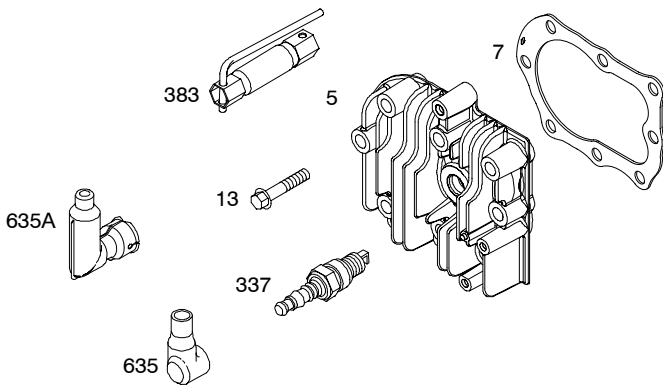
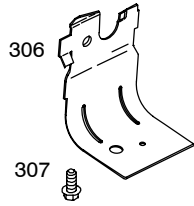
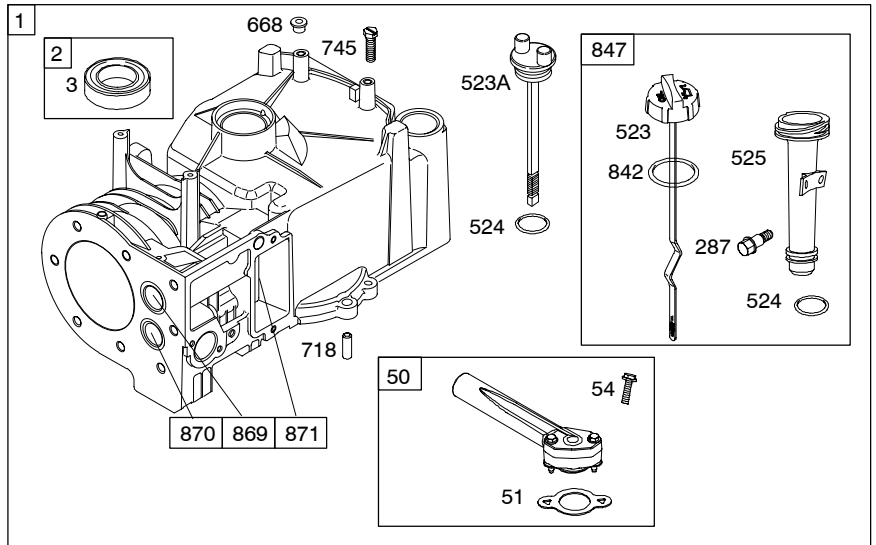
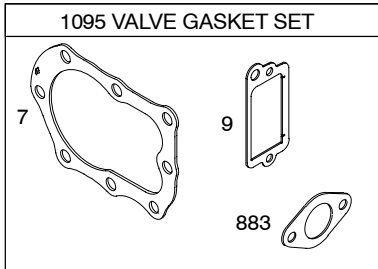
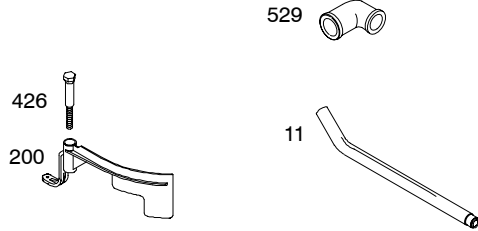


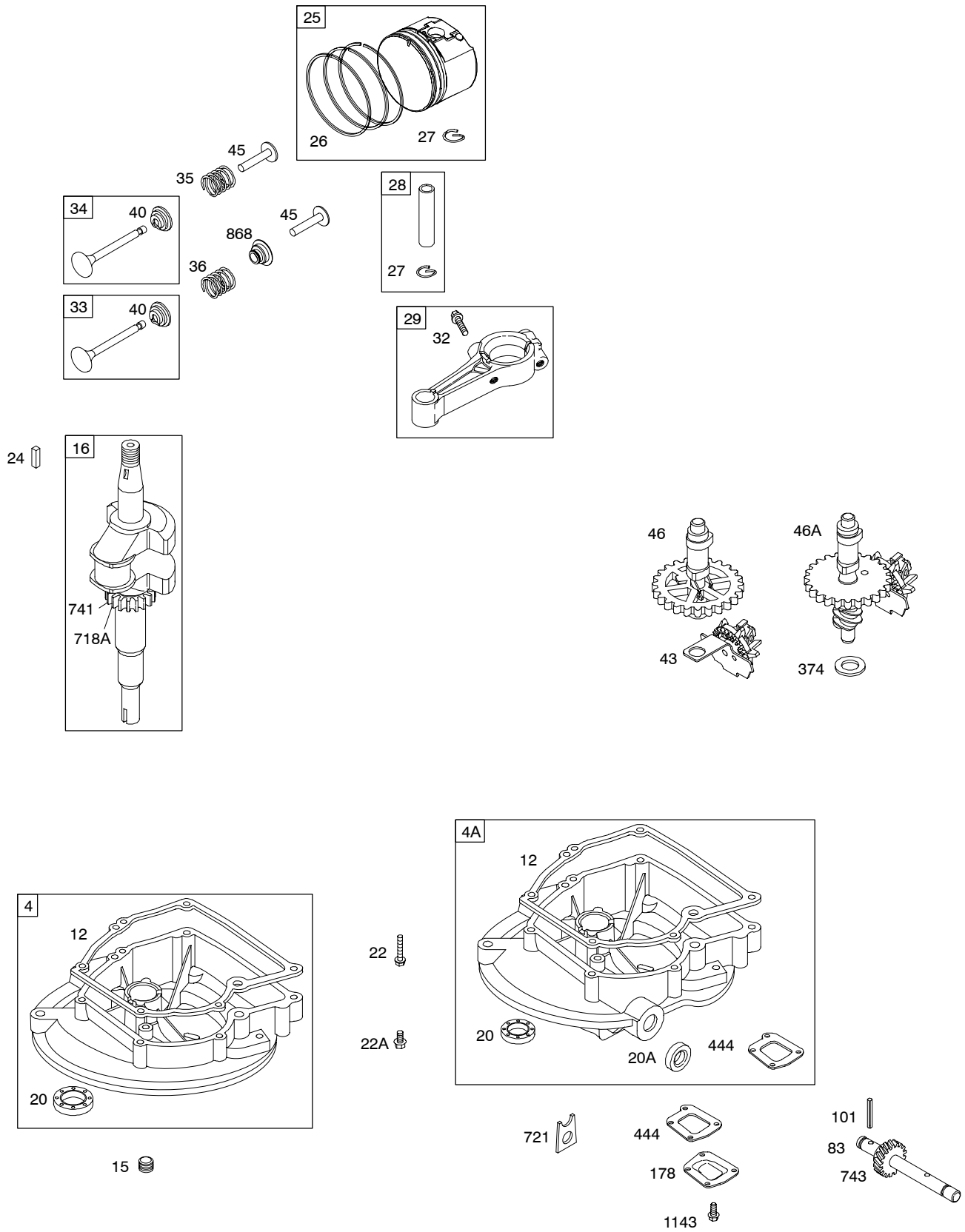
COPYRIGHT by BRIGGS & STRATTON CORPORATION  
All rights reserved. No part of this material may be reproduced or transmitted, in any form or by any means, electronic or mechanical, including photocopying, recording or by any information storage and retrieval system, without permission in writing from Briggs & Stratton Corporation.

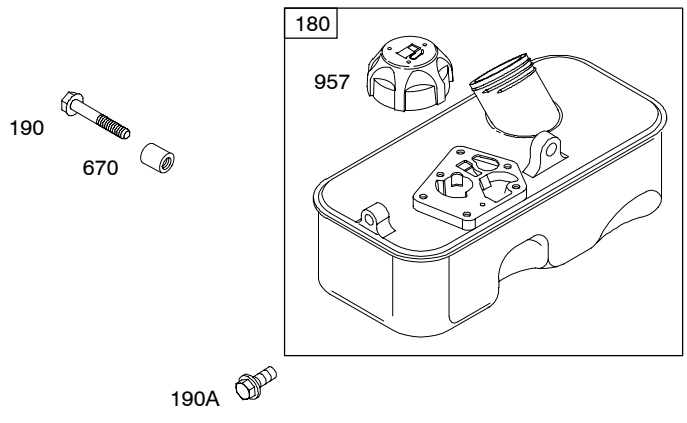
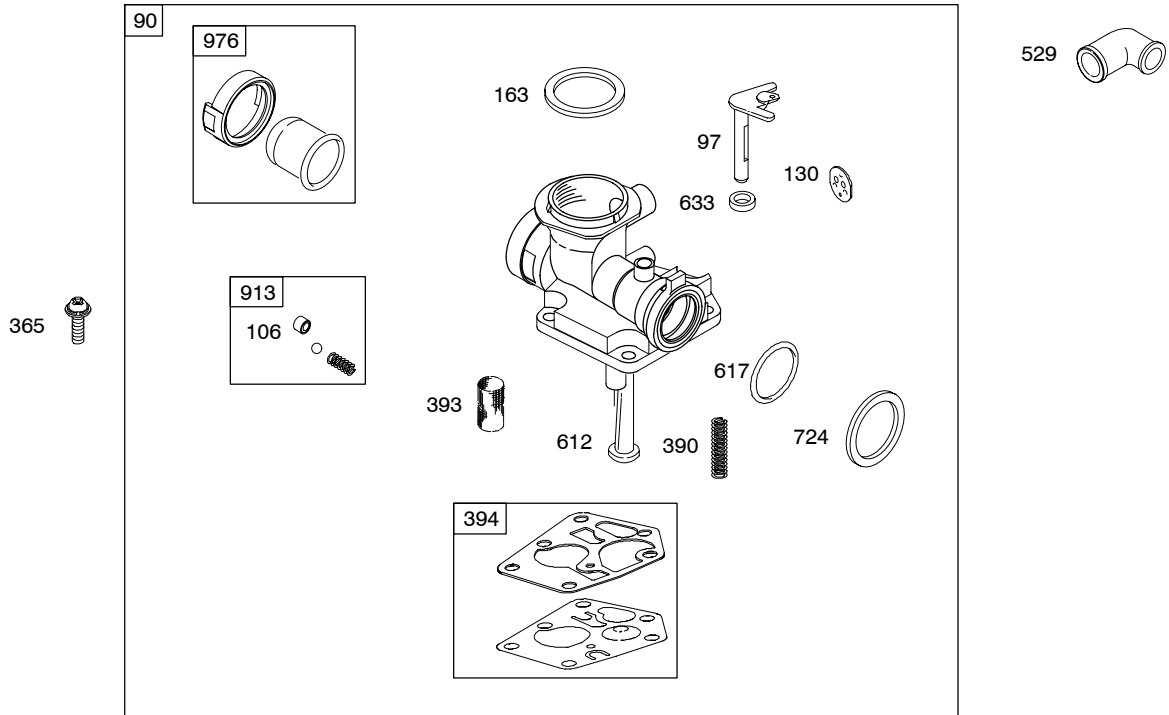


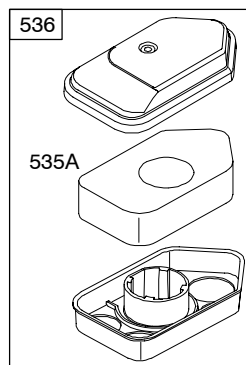
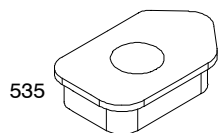
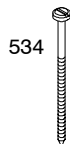
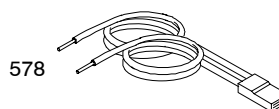
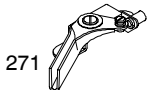
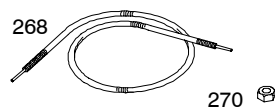
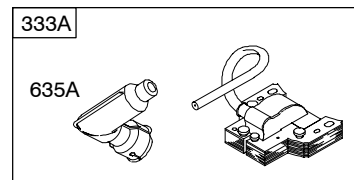
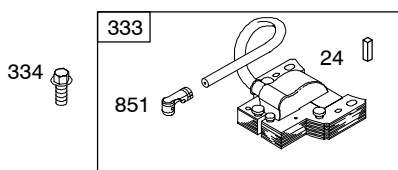
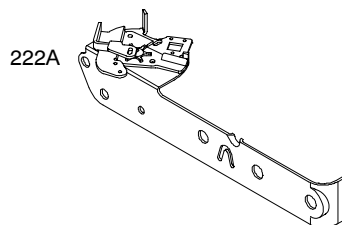
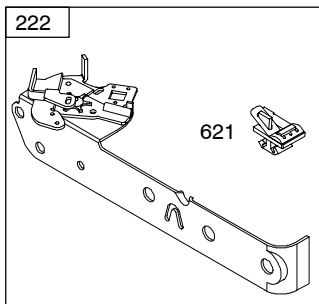
1058 OPERATOR'S MANUAL

1330 REPAIR MANUAL

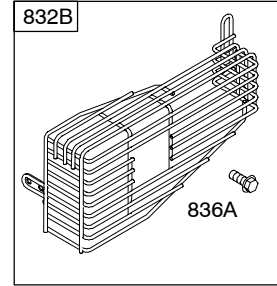
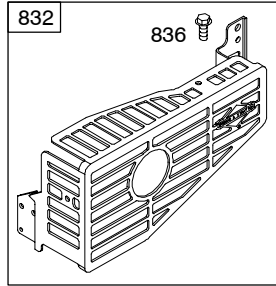
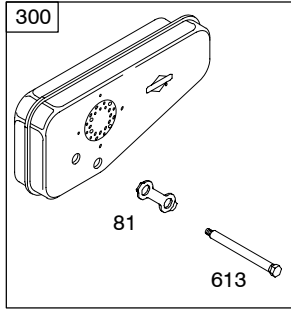




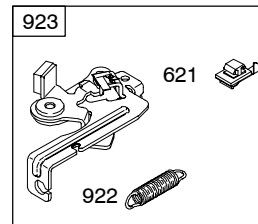
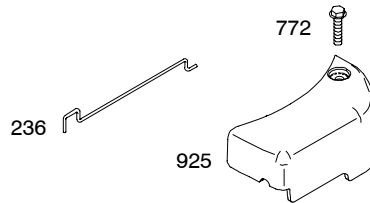
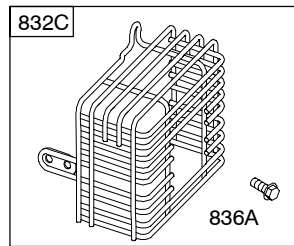
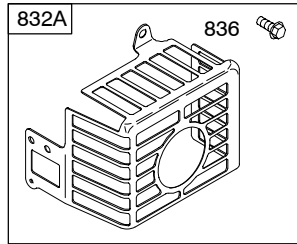
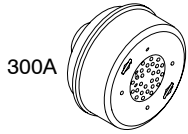




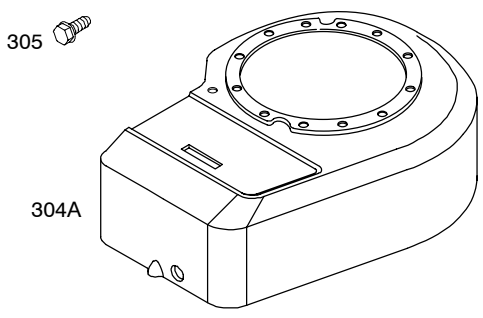
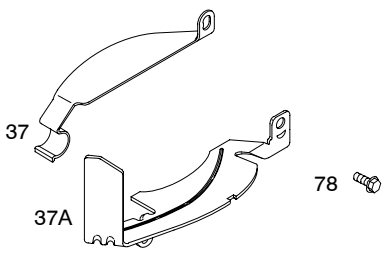
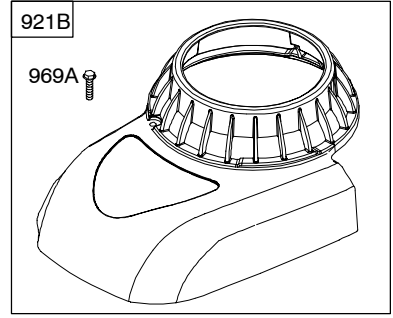
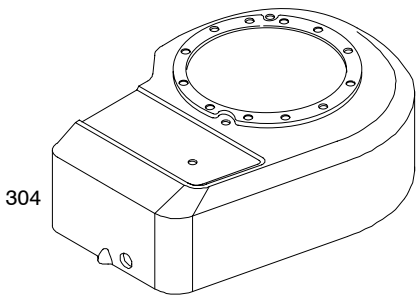
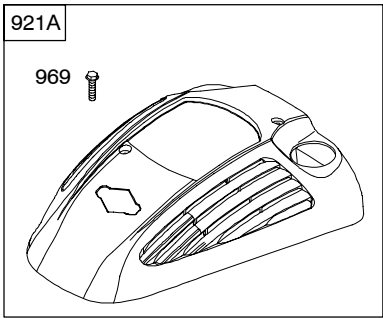
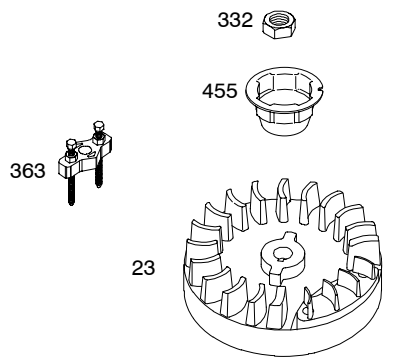
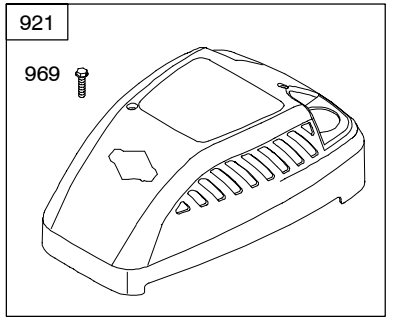
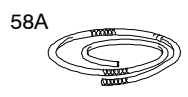
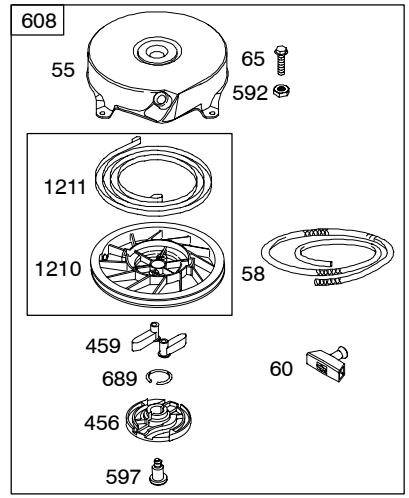
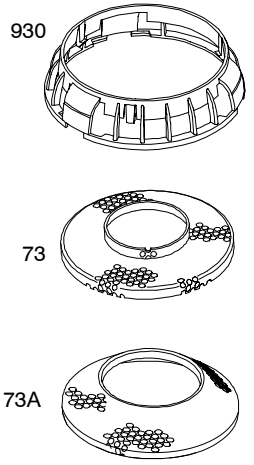
# 10D900



836B



1036 EMISSIONS LABEL



# 10D900

REF. NO.	PART NO.	DESCRIPTION	REF. NO.	PART NO.	DESCRIPTION	REF. NO.	PART NO.	DESCRIPTION
1	699653	Cylinder Assembly	16	691471	Crankshaft	25	790908	Piston Assembly (Standard) (Used After Code Date 04111400).
2	399269	Kit-Bushing/Seal (Magneto Side)			----- <b>Note</b> -----			----- <b>Note</b> -----
3	★299819s	Seal-Oil (Magneto Side)			691472 Crankshaft Used on Type No(s). 0116, 0119, 0130, 0131, 0140, 0144, 0155, 0159, 0160, 0163, 0164, 0170, 0172, 0181, 0190, 0193, 0250, 0251, 0252.			699657 Piston Assembly (Standard) (Used Before Code Date 04111500).
4	698691	Sump-Engine (Used After Code Date 02111200). ----- <b>Note</b> ----- 395384 Sump-Engine (Used Before Code Date 02111300).			692989 Crankshaft Used on Type No(s). 0133, 0137, 0151, 0167, 0182, 5000.			792532 Piston Assembly (.020" Oversize) (Used After Code Date 04111400).
		699081 Sump-Engine Used on Type No(s). 0137, 0144.	20	★391483s	Seal-Oil (PTO Side)			
4A	395390	Sump-Engine (Auxiliary Shaft) Used on Type No(s). 0164.	20A	★691952	Seal-Oil (PTO Side) Used on Type No(s). 0164.			498671 Piston Assembly (.030" Oversize) (Used Before Code Date 03100100).
5	790169	Head-Cylinder	22	692551	Screw (Crankcase Cover/Sump) (1 1/4" Long)	26	790909	Ring Set (Standard) (Used After Code Date 04111400).
7	★Δ698717	Gasket-Cylinder Head						----- <b>Note</b> -----
8	791781	Breather Assembly (Used After Code Date 05102400). ----- <b>Note</b> -----	22A	691108	Screw (Crankcase Cover/Sump) (19/32" Long)			699658 Ring Set (Standard) (Used After Code Date 03093000 and Before Code Date 04111500).
		699640 Breather Assembly (Used Before Code Date 05102500).	23	692009	Flywheel ----- <b>Note</b> -----			498680 Ring Set (Standard) (Used Before Code Date 03100100).
9	★Δ695890	Gasket-Breather			690843 Flywheel Used on Type No(s). 0113, 0120, 0133, 0137, 0144, 0150, 0161, 0162, 0166, 0167, 0174, 0175, 0182, 0186, 5000.			792533 Ring Set (.020" Oversize) (Used After Code Date 04111400).
10	691666	Screw (Breather Assembly)						498682 Ring Set (.020" Oversize) (Used Before Code Date 03100100).
11	691245	Tube-Breather						
12	★692218	Gasket-Crankcase (.015" Thick) (Standard) ----- <b>Note</b> -----	24	222698s	Key-Flywheel			498683 Ring Set (.030" Oversize) (Used Before Code Date 03100100).
		270895 Gasket-Crankcase (.005" Thick)						
		270896 Gasket-Crankcase (.009" Thick)						
13	691640	Screw (Cylinder Head)						
15	691680	Plug-Oil Drain						

★ Engine Gasket Set-Reference 358

Δ Valve Gasket Set-Reference 1095



# 10D900

REF. NO.	PART NO.	DESCRIPTION	REF. NO.	PART NO.	DESCRIPTION	REF. NO.	PART NO.	DESCRIPTION
27	691588	Lock-Piston Pin	54	691111	Screw (Intake Manifold)	209	691297	Spring-Governor (White)
28	699659	Pin-Piston (Standard) (Used After Code Date 03093000).	55	692144	Housing-Rewind Starter			Used on Type No(s). 0100, 0116, 0118, 0119, 0132, 0151, 0186, 0250.
		----- Note -----	58	697316	Rope-Starter (88 5/8" Long)			----- Note -----
		298909 Pin-Piston (Standard) (Used Before Code Date 03100100).	58A	691921	Rope-Starter (70" Long) Used on Type No(s). 0133, 0137, 0144, 0150, 0160, 0162, 0166, 0167, 5000.			690251 Spring- Governor (Yellow) Used on Type No(s). 0114, 0117, 0121, 0122, 0127, 0128, 0130, 0135, 0136, 0139, 0140, 0141, 0142, 0145, 0146, 0150, 0161, 0162, 0177, 0183, 0184, 0190.
		298908 Pin-Piston (.005" Oversize) (Used Before Code Date 03080400).	60	691915	Grip-Starter Rope			691862 Spring- Governor (Dark Green) Used on Type No(s). 0133, 0144, 5000.
29	699654	Rod-Connecting	65	690837	Screw (Rewind Starter)			690254 Spring- Governor (Light Blue) Used on Type No(s). 0111, 0113, 0120, 0129, 0143, 0147, 0148, 0149, 0152, 0153, 0155, 0157, 0158, 0159, 0160, 0163, 0164, 0166, 0168, 0169, 0170, 0171, 0172, 0173, 0174, 0175, 0176, 0179, 0180, 0181, 0187, 0188, 0189, 0193, 0246, 0251, 0252, 0253.
32	691664	Screw (Connecting Rod)	73	694018	Screen-Rotating (Used Before Code Date 03082500).			690252 Spring- Governor (Pink) Used on Type No(s). 0131.
33	296676	Valve-Exhaust	73A	699850	Screen-Rotating (Used After Code Date 03082400).			692211 Spring- Governor (No Color) Used on Type No(s). 0137, 0167, 0182.
34	296677	Valve-Intake	78	692198	Screw (Flywheel Guard)			
35	690520	Spring-Valve (Intake)	81	691179	Lock-Muffler Screw			
36	690520	Spring-Valve (Exhaust)	83	691240	Shaft-Auxiliary Drive Used on Type No(s). 0164.			
37	690482	Guard-Flywheel (Carburetor Side)	90	498811	Carburetor ----- Note ----- 699660 Carburetor Used on Type No(s). 5000.			
37A	691209	Guard-Flywheel (Muffler Side)	97	691931	Shaft-Throttle			
40	692194	Retainer-Valve	101	691623	Pin-Shaft Used on Type No(s). 0164.			
43	698690	Slinger-Governor/Oil (Used After Code Date 02110400). ----- Note ----- 691983 Slinger- Governor/Oil (Used Before Code Date 02110500).	106	691901	Seat-Inlet			
45	691762	Tappet-Valve	130	691190	Valve-Throttle			
46	691998	Camshaft	163	★271139s	Gasket-Air Cleaner			
46A	690644	Camshaft (Counterclockwise) Used on Type No(s). 0164.	178	690398	Cover-Drive Gear Used on Type No(s). 0164.			
50	699644	Manifold-Intake (Used After Code Date 03080300).	180	494406	Tank-Fuel			
50A	693446	Manifold-Intake (Used Before Code Date 03080400).	188	692198	Screw (Control Bracket)			
51	★699649	Gasket-Intake (Used After Code Date 03080300).	190	691640	Screw (Fuel Tank) (1 3/4" Long)			
51A	270345s	Gasket-Intake (Used Before Code Date 03080400).	190A	692198	Screw (Fuel Tank) (1/2" Long)			
			200	691912	Blade-Governor			
			201	690347	Link-Air Vane			

★ Engine Gasket Set-Reference 358

△ Valve Gasket Set-Reference 1095

# 10D900

REF. NO.	PART NO.	DESCRIPTION	REF. NO.	PART NO.	DESCRIPTION	REF. NO.	PART NO.	DESCRIPTION
211	691859	Spring-Governed Idle	300	692307	Muffler	334	691061	Screw
222	691445	Bracket-Control			(Super Lo Tone)			(Magneto Armature)
		Used on Type No(s).	300A	394569s	Muffler	335	691107	Screw
		0113, 0114, 0116,			(Round Lo Tone)			(Magneto Armature
		0117, 0118, 0119,	304	691484	Housing-Blower			With Air Vane)
		0120, 0127, 0131,			(Compliance Engines)			(1 15/16" Long)
		0132, 0133, 0136,			----- <b>Note</b> -----	337	697451	Plug-Spark
		0137, 0139, 0140,			692536 Housing-			----- <b>Note</b> -----
		0144, 0150, 0161,			Blower			802592s Plug-Spark
		0162, 0166, 0167,			(Non			Used on Type No(s).
		0174, 0175, 0177,	304A	694236	Compliance Engines)			0111, 0113, 0114,
		0182, 0183, 0184,			Housing-Blower			0120E1, 0120B2,
		0186, 5000.			(Compliance Engines)			0129, 0133B2, 0137,
222A	691446	Bracket-Control			Used on Type No(s).			0139, 0140, 0144,
		Used on Type No(s).			0145, 0147, 0157,			0162, 0166, 0168,
		0100, 0111, 0121,			0158, 0159, 0160,			0179, 0180, 0181,
		0122, 0128, 0129,			0169, 0171, 0172,			0186, 0187, 0188,
		0130, 0135, 0136,			0173, 0176, 0180,			0189, 0190, 0193,
		0141, 0142, 0143,			0181, 0187, 0188,			0253, 5000.
		0145, 0146, 0147,			0189, 0190, 0193,	356	692390	Wire-Stop
		0148, 0149, 0151,			0252, 0253.	358	699933	Gasket Set-Engine
		0152, 0153, 0155,			----- <b>Note</b> -----	363	19069	Puller-Flywheel
		0157, 0158, 0159,			694051 Housing-	365	790029	Screw
		0160, 0163, 0164,			Blower			(Carburetor)
		0168, 0169, 0171,			(Non	374	691074	Washer
		0172, 0173, 0176,			Compliance Engines)			(Camshaft)
		0179, 0180, 0187,			Used on Type No(s).			Used on Type No(s).
		0188, 0189, 0190,			0113, 0114, 0162,			0164.
		0193, 0246, 0250,			0175, 0177, 0183,	383	89838s	Wrench-Spark Plug
		0251, 0252, 0253.			0184.	390	691839	Spring-Choke
236	691867	Link-Lockout	305	692198	Screw			Diaphragm
		Used on Type No(s).			(Blower Housing)	393	691837	Screen-Carburetor
		0118, 0119, 0132,	306	690400	Shield-Cylinder	394	495770	Diaphragm-Carburetor
		0139, 0140.			(Used Before Code	426	691107	Screw
265	692179	Clamp-Casing			Date 04071400).			(Governor Blade)
		Used on Type No(s).	307	690345	Screw	444	★691868	Gasket-Drive Gear
		0136, 0146, 0150,			(Cylinder Shield)			Cover
		0166, 0183, 0184.			(Used Before Code	455	691236	Cup-Flywheel
265A	690798	Clamp-Casing			Date 04071400).	456	692299	Plate-Pawl Friction
265B	691024	Clamp-Casing	332	690662	Nut	459	281505s	Pawl-Ratchet
		Used on Type No(s).			(Flywheel)	523	692040	Dipstick
		0116.	333	792395	Armature-Magneto	523A	691913	Dipstick
267	691044	Screw			(Used After Code Date	524	★691876	Seal-Dipstick Tube
		(Casing Clamp)			06073000).	525	691320	Tube-Dipstick
268	691025	Casing-Control Wire			----- <b>Note</b> -----	529	692189	Grommet
		(72" Long)			496914 Armature-	534	691417	Screw
		(Cut To			Magneto			(Air Cleaner)
		Required Length)			(Used Before Code	535	272235s	Filter-Air Cleaner
269	691026	Wire-Control			Date 06073100).			Foam
		(78" Long)	333A	792594	Armature-Magneto			(Used Before Code
		(Cut To			(Screw On			Date 02110600).
		Required Length)			Spark Plug Boot)	535A	698369	Filter-Air Cleaner
270	691027	Nut			(Snap In			Foam
		(Control Wire Casing)	333B	793352	Spark Plug Boot)			(Used After Code Date
271	691028	Lever-Control						02110500).
287	691002	Screw						
		(Dipstick Tube)						

★ Engine Gasket Set-Reference 358

△ Valve Gasket Set-Reference 1095

# 10D900

REF. NO.	PART NO.	DESCRIPTION	REF. NO.	PART NO.	DESCRIPTION	REF. NO.	PART NO.	DESCRIPTION
536	698472	Cleaner-Air	741	691805	Gear-Timing	871	699643	Bushing-Valve Guide (Exhaust)
578	398153	Wire Assembly Used on Type No(s). 0118, 0119, 0132, 0136, 0139, 0140.	743	691772	Gear-Drive Used on Type No(s). 0164.			(Used After Code Date 03080300).
592	690800	Nut (Rewind Starter)	745	691146	Screw (Brake) (7/8" Long)			----- <b>Note</b> ----- <b>231348</b> Bushing-Valve Guide
597	691696	Screw (Pawl Friction Plate)	745A	690859	Screw (Brake) (1/2" Long)			(Exhaust) (Used Before Code Date 03080400).
608	499706	Starter-Rewind (88 5/8" Rope) ----- <b>Note</b> ----- <b>690101</b> Starter-Rewind (70" Rope) Used on Type No(s). 0113, 0114, 0133, 0137, 0144, 0150, 0161, 0162, 0166, 0167, 0174, 0175, 0177, 0182, 5000.	772	691111	Screw (Linkage Cover) (1 1/8" Long)			<b>63709</b> Bushing-Valve Guide (Intake)
612	496046s	Tube-Pick Up	832	699299	Guard-Muffler	883	★△691880	Gasket-Exhaust
613	691413	Screw (Muffler)	832A	699670	Guard-Muffler	913	494409	Seat-Check Valve
617	270344s	Seal-O Ring (Intake Manifold)	832B	790743	Guard-Muffler	921	694044	Cover-Blower Housing Used on Type No(s). 0171, 0172, 0175, 0177, 0180.
621	692310	Switch-Stop	832C	790744	Guard-Muffler	921A	698709	Cover-Blower Housing Used on Type No(s). 0173, 0181, 0184, 0193, 0252, 0253.
633	691321	Seal-Choke/Throttle Shaft (Throttle)	836	690664	Screw (Muffler Guard) (13/32" Long)	921B	699796	Cover-Blower Housing Used on Type No(s). 0113, 0114, 0189, 0190.
635	66538s	Boot-Spark Plug	836A	790745	Screw (Muffler Guard) (1/2" Long)	922	692135	Spring-Brake
635A	792597	Boot-Spark Plug (Screw On Style)	836B	691125	Screw (Muffler Guard) (5/8" Long) (Used After Code Date 04082200).	923	691487	Brake
635B	793351	Boot-Spark Plug (Snap On Style)	842	★691870	Seal-O Ring (Dipstick Tube)	925	691349	Cover-Linkage
643	691911	Retainer-Air Filter (Used Before Code Date 02110600).	847	691440	Dipstick/Tube Assembly	930	691348	Guard-Rewind
668	692889	Spacer (Cylinder)	851	493880s	Terminal-Spark Plug	957	497929s	Cap-Fuel Tank (Black)
670	691633	Spacer-Fuel Tank	868	697338	Seal-Valve Used on Type No(s). 5000.	957A	692050	Cap-Fuel Tank (Red) Used on Type No(s). 0151.
689	691855	Spring-Friction	869	699641	Seat-Valve (Intake) (Used After Code Date 03080300).	957B	791129	Cap-Fuel Tank Used on Type No(s). 0133, 0137, 0144, 0167, 0182, 0186 5000.
718	690959	Pin-Locating (Cylinder)			----- <b>Note</b> ----- <b>691701</b> Seat-Valve (Intake) (Used Before Code Date 03080400).	969	694046	Screw (Blower Housing Cover)
718A	499047	Pin-Locating (Crankshaft)	870	699642	Seat-Valve (Exhaust) (Used After Code Date 03080300).	969A	692523	Screw (Blower Housing Cover) (2/3" Long) Used on Type No(s). 0113, 0114, 0189.
721	690397	Stop-Shaft Used on Type No(s). 0164.			----- <b>Note</b> ----- <b>691702</b> Seat-Valve (Exhaust) (Used Before Code Date 03080400).			
724	697478	Retainer-Seal						
729	690586	Clip-Wire						

★ Engine Gasket Set-Reference 358

△ Valve Gasket Set-Reference 1095

# 10D900

REF. NO.	PART NO.	DESCRIPTION	REF. NO.	PART NO.	DESCRIPTION	REF. NO.	PART NO.	DESCRIPTION
<b>976</b> <b>1036</b>	<b>694394</b>	Primer-Carburetor Label-Emissions (Available from Authorized Briggs & Stratton Service Dealer)	<b>1058</b>	<b>MS5373</b>	Operator's Manual ----- <b>Note</b> ----- <b>MS5149</b> Operator's Manual Used on Type No(s). 0111, 0120, 0164, 0166.	<b>1143</b>	<b>691141</b>	Screw (Drive Gear Cover)
			<b>1095</b>	<b>498526</b>	Gasket Set-Valve	<b>1210</b>	<b>499901</b>	Pulley/Spring Assembly (Pulley)
						<b>1211</b>	<b>499901</b>	Pulley/Spring Assembly (Spring)
						<b>1330</b>	<b>270962</b>	Repair Manual

★ Engine Gasket Set-Reference 358

△ Valve Gasket Set-Reference 1095