

SPARE PARTS LIST

MODEL NO. 3612

ITEM	PART NO.	DESCRIPTION	QTY	NOTE
001	266021-4	TAPPING SCREW 5X20	2	
002	415450-0	REAR COVER	1	
005	159730-1	MOTOR HOUSING COMPLETE	1	
006	851516-6	NAME PLATE 3612	1	
007	636058-9	FIELD 220V	1	
008	415069-5	BAFFLE PLATE	1	
009	211092-6	BALL BEARING 629DDW	1	
010	681633-6	INSULATION WASHER	1	
011	516588-5	ARMATURE ASS'Y 220V INC. 9,10,12	1	
012	241878-4	FAN 83	1	
013	285657-0	BEARING RETAINER 50	1	
014	211326-7	BALL BEARING 6004DDW	1	
015	415070-0	KNOB (L)	1	
016	152567-5	MOTOR BRACKET COMPLETE	1	
017	231142-1	COMPRESSION SPRING 10	1	
018	323559-3	HALF NUT	1	
019	911263-2	PAN HEAD SCREW M5X40	4	
020	763629-0	COLLET NUT	1	
021	763628-2	COLLET CONE 12MM	1	
022	911368-8	PAN HEAD SCREW M6X45	2	
023	415407-1	KNOB (R)	1	
024	231618-8	TORSION SPRING 15	1	
025	266015-9	SET BOLT M10	1	
026	344097-2	LOCK LEVER	1	
027	265269-5	HEX. BOLT M5X12	1	
028	286235-9	CAP 11	1	
029	962062-5	RETAINING RING R-12	1	
030	256606-4	PIN 6	1	
031	231037-8	COMPRESSION SPRING 7	1	
032	251861-3	SCREW M10X77	1	
033	251295-0	+ COUNTERSUNK HEAD SCREW M4X14	2	
034	911944-8	PAN HEAD SCREW M5X80	2	
035	643700-5	BRUSH HOLDER CAP 7-18	2	
036	191953-5	CARBON BRUSH CB-203	1	
037	682540-6	CORD GUARD 9.3-90	1	
038	687052-4	STRAIN RELIEF	1	
039	265995-6	TAPPING SCREW 4X18	2	
040	665865-3	POWER SUPPLY CORD 1.0-2-2.5	1	
041	316499-2	BEARING BOX	1	
042	265995-6	TAPPING SCREW 4X18	2	
043	252625-8	NUT M10	1	
044	410129-8	NYLON NUT M10	1	
045	645253-0	NOISE SUPPRESSOR	1	
046	651430-4	SWITCH	1	
047	415409-7	COVER	1	
048	265995-6	TAPPING SCREW 4X18	2	
049	314062-5	POLE	1	
050	231329-5	COMPRESSION SPRING 11	2	
051	151407-4	BASE COMPLETE	1	
052	924206-5	WING BOLT M5X10	1	
053	410128-0	CHIP DEFLECTOR	1	
054	912112-6	COUNTERSUNK HEAD SCREW M4X10	4	
056	413063-1	BASE PLATE	1	
057	134205-1	STOPPER ASS'Y INC. 58,59,62-65	1	
058	931202-6	HEX. NUT M5	1	
059	265587-1	+HEX. BOLT M5X20	1	
060	231231-2	COMPRESSION SPRING 12	1	
061	251423-7	- FLAT HEAD SCREW M6	1	
062	931202-6	HEX. NUT M5	1	

SPARE PARTS LIST

MODEL NO. 3612

ITEM	PART NO.	DESCRIPTION	QTY	NOTE
063	265587-1	+HEX. BOLT M5X20	1	
064	931202-6	HEX. NUT M5	1	
065	265586-3	+HEX. BOLT M5X14	1	
066	231240-1	COMPRESSION SPRING 7	2	
067	924216-2	WING BOLT M5X15	2	
A01	342428-9	STRAIGHT GUIDE	1	
A02	781213-9	WRENCH 8	1	
A03	781034-9	WRENCH 8-24	1	
A06	763804-8	COLLET SLEEVE FOR 8 MM BIT	1	
A07	763801-4	COLLET SLEEVE FOR 6 MM BIT	1	
A08	924311-8	WING BOLT M6X12	1	
A09	942151-2	SPRING WASHER 6	1	
A10	941151-9	FLAT WASHER 6	1	
A11	122256-6	GUIDE HOLDER ASS'Y INC. A08-A10,A12	1	
A12	251830-4	SCREW M10X34	1	
E01	415412-8	DUST NOZZLE	1	
E02	231372-4	COMPRESSION SPRING 5	1	
E03	231794-8	TENSION SPRING 5	2	
E04	233024-3	COMPRESSION SPRING 4	1	
E05	256221-4	PIN 3	1	
E06	265995-6	TAPPING SCREW 4X18	1	
E07	266016-7	SET BOLT M5X10	2	
E08	286239-1	CAP 14	1	
E09	344098-0	LOCK PLATE	1	
E10	415158-6	SWITCH LEVER	1	
E11	415408-9	KNOB COVER	1	
E12	415411-0	LOCK OFF BUTTON	1	
E15	253811-4	FLAT WASHER 5	2	

SERVICE DRAWING

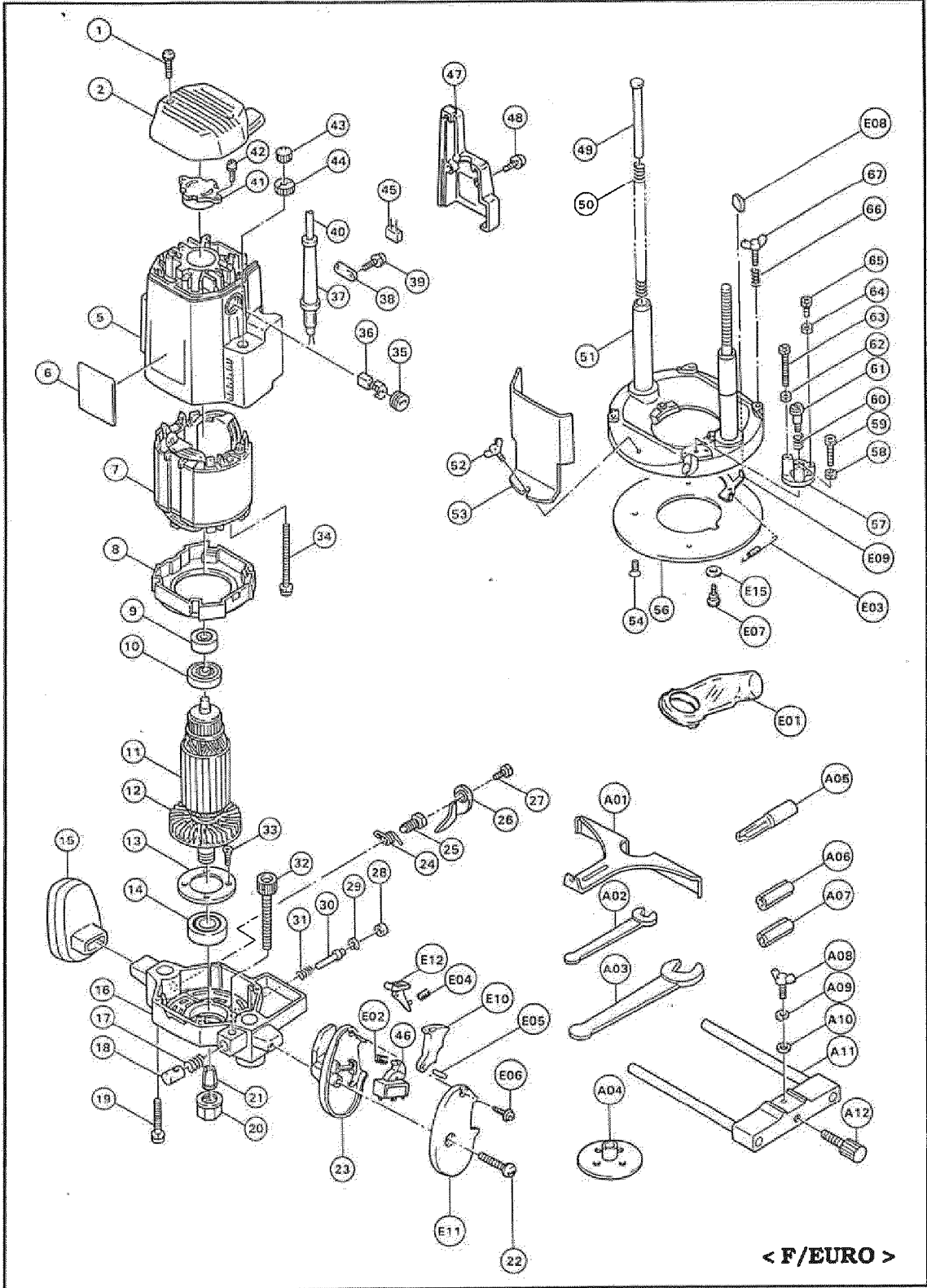
MODEL NO. 3612



062

Model **3612**

ROUTER



< F/EURO >