

# SPARE PARTS LIST

MODEL NO. EG300C

ITEM	PART NO.	DESCRIPTION	QTY	NOTE
001	2781010261	CRANK CASE CP INC. 2-5	1	
002	0440250200	OIL SEAL 25DX38DX7B	1	
003	0600280021	BALL BEARING 62/28 28DX58DX16B	1	
004	2771501103	PIPE KNOCK 10.3DX8.5DX14L	2	
005	0440060020	OIL SEAL 6DX10DX2.5B	1	
006	0401140030	PLUG	2	
007	0211140020	GASKET	2	
008	2771100141	MAIN BEARING COVER C INC. 9-10	1	
009	0440250210	OIL SEAL 25DX41.25DX6B	1	
010	X600250140	BALL BEARING 6205	1	
011	27745004K1	GOVERNOR GEAR CP	1	
012	2774190201	GOVERNOR SLEEVE CP	1	
013	2776360130	OIL GAUGE INC. 14	2	
014	2776360108	GASKET	2	
015	0010408350	FLANGE BOLT	6	
016	2781300111	CYLINDER HEAD CP INC. 17-19,27	1	
017	0105060351	STUD M6X1.0X98L	2	
018	0105080250	STUD	2	
019	2771601001	STEM SEAL	1	
020	2771500143	GASKET(HEAD)	1	
021	2771501103	PIPE KNOCK 10.3DX8.5DX14L	2	
022	0110080240	FLANGE BOLT M8X1.25X16DX68L	4	
023	0110080310	FLANGE BOLT M8X33L	1	
024	2771550301	ROCKER COVER CP	1	
025	2771600113	GASKET(ROCKER COVER)T=0.7	1	
026	0110060020	FLANGE BOLT M6X1.0X14DX12L	4	
027	2371420203	VALVE GUIDE (OVERSIZE)	2	
028	2779900157	GASKET SET INC. 7,14,20,25,68,129,130	1	
029	2782070131	CRANKSHAFT COMPLETE	1	
030	0323030010	WOODRUFF KEY	1	
031	2782250110	CONNECTING ROD ASSY INC. 32	1	
032	2772300103	CONNECTING ROD BOLT	2	
033	2772330113	PISTON PIN 16DX11DX48.5L	1	
034	0565160010	CLIP	2	
035	27723401J3	PISTON STD	1	
036	2772353107	PISTON RING SET STD OIL 3PCS.	1	
037	2783160161	CAM SHAFT CP INC. 38-41	1	
038	2773640113	RELEASE LEVER	1	
039	2773870323	RETURN SPRING	1	
040	2773860103	PIN(SPRING) 4DX8DX9L	1	
041	2773650103	CLIP 13.8DX20.3DX0.4T	1	
042	2773510101	PIN(CAM SHAFT)CP INC. 43-44	1	
043	2773510103	PIN(CAM SHAFT)9DX78.5L	1	
044	0240060010	O RING 5.8DX9.6D	1	
045	0110060010	FLANGE BOLT M6X1.0X14DX8L	1	
046	27733401H3	INTAKE VALVE	1	
047	27733501H3	EXHAUST VALVE 23.5DX5.5DX68.1L	1	
048	2793360103	VALVE SPING	2	
049	2693370103	SPRING RETAINER	2	
050	13210KA031	COLLET VALVE	4	
051	2773620100	LOCKER ARM(INTAKE) ASS'Y INC. 52-53	1	
052	0149050020	ADJUST SCREW M5X23	1	

# SPARE PARTS LIST

MODEL NO. EG300C

ITEM	PART NO.	DESCRIPTION	QTY	NOTE
053	0170050030	NUT M5	1	
054	2773620200	ROCKER ARM(EXHAUST)ASS'Y INC. 55-56	1	
055	0149050020	ADJUST SCREW M5X23	1	
056	0170050030	NUT M5	1	
057	2773500401	PIN(ROCKER) CP INC. 58	1	
058	0031305000	CLIP	1	
059	27835602H1	TIMING CHAIN COMPLETE	1	
060	20A3691103	TENSIONER	1	
061	2773710103	SPRING(TENSIONER)	1	
062	2773690203	PIN(TENSIONER) 6DX13DX34L	1	
063	20A3691303	CHAIN GUIDE	1	
064	27730101J1	MUFFLER CP	1	
065	2773420131	MUFFLER COVER CP	1	
066	27737203H1	SCREEN CP	1	
067	0150040060	TAPPING SCREW M4X6L	2	
068	2773520113	GASKET(MUFFLER)	1	
069	0152060090	TAPPING BOLT	2	
070	0110060010	FLANGE BOLT M6X1.0X14DX8L	1	
071	0023808000	FLANGE NUT	2	
072	0110080320	FLANGE BOLT	1	
073	0023806000	FLANGE NUT M6	2	
074	0010406200	FLANGE BOLT M6X20	1	
075	2773276008	BREATHER PIPE	1	
076	2773262510	AIR CLEANER AY INC. 77-84	1	
077	2773264008	COVER CP	1	
078	2773263908	BASE CP INC. 79-81	1	
079	2773260408	PACKING	1	
080	2773266708	LABEL	1	
081	2773261008	PACKING	1	
082	20A3263600	ELEMENT SET	1	
083	2773274118	WING NUT	1	
084	2773260718	WING NUT	1	
085	2774230140	GOVERNOR LEVER INC.086-088 INC.087-088	1	
086	2774230143	GOVERNOR LEVER	1	
087	0011406250	BOLT & WASHER ASS'Y	1	
088	0186060020	NUT M6X1.0X4.9H	1	
089	2774220133	GOVERNOR SHAFT	1	
090	0031305000	CLIP	1	
091	2774270123	GOVERNOR ROD COMPLETE	1	
092	2774280123	ROD SPRING 7DX.5DX182L N=16	1	
093	2794250543	GOVERNOR SPRING	1	
094	2774650201	SPEED CONTROL CP	1	
095	2374500423	SPRING(ADJUST)	1	
096	0043106350	SCREW	1	
097	0110060020	FLANGE BOLT M6X1.0X14DX12L	2	
098	2785120501	BLOWER HOUSING CP	1	
099	KU31107101	FLOAT C/U CP5	1	
100	0150040090	TAPPING SCREW 4X12	2	
101	0110060020	FLANGE BOLT M6X1.0X14DX12L	4	
102	0732005470	LABEL(TRADE MARK)	1	
103	0130060281	BOLT AND WASHER AY	4	
104	2775271121	BAFFLE 1 CP	1	
105	0010406160	FLANGE BOLT	1	
106	2775270203	BAFFLE 2(HEAD) COMPLETE	1	
107	0110060020	FLANGE BOLT M6X1.0X14DX12L	1	

# SPARE PARTS LIST

MODEL NO. EG300C

ITEM	PART NO.	DESCRIPTION	QTY	NOTE
108	2785030130	RECOIL STARTER AY INC. 109-117	1	
109	2265071608	SPIRAL SPRING	1	
110	2775012108	REEL	1	
111	2815032508	RATCHET	1	
112	2815033008	FRICITION SPRING	1	
113	2815035108	CENTER SCREW	1	
114	2815034008	FRICITION PLATE	1	
115	2775011008	STARTER ROPE	1	
116	2815030018	STARTER KNOB	1	
117	2785014608	STARTER PULLEY	1	
118	2776010511	FUEL TANK CP	1	
119	0430440050	FUEL TANK CAP COMPLETE	1	
120	X641360010	FUEL FILTER	1	
121	0505120020	UNION	1	
122	2786260111	FUEL PIPE CP INC. 123	1	
123	X561110060	HOSE CLAMP	2	
124	0110060130	FLANGE BOLT	1	
125	0023806000	FLANGE NUT M6	2	
126	0732004510	LABEL(SYMBOL-TANK)	1	
127	0732004500	LABEL(HOT&GAS)	1	
128	20A3290201	INSULATOR COMPLETE INC. 129-130	1	
129	20A3590203	GASKET 1(INSULATOR)	1	
130	20A3590303	GASKET 2(INSULATOR)	1	
131	2774380101	CHOKE LEVER CP	1	
132	2786230250	CARBURETOR AY INC. 133-162	1	
133	2776253508	THROTTLE VALVE #160	1	
134	1066241008	AIR JET(PILOT)	1	
135	2776252508	CHOKE VALVE	1	
136	2486241008	AIR JET	1	
137	2466242008	PILOT JET (#40)	1	
138	2776253018	THROTTLE SHAFT-A	1	
139	2776252008	CHOKE LEVER	1	
140	2776244008	MAIN NOZZLE	1	
141	2266250608	FLOAT ASS'Y	1	
142	2776250608	FLOAT BODY	1	
143	2776240508	MAIN JET	1	
144	2146245008	PACKING	1	
145	2276245108	BOLT	1	
146	1656237708	SCREW	2	
147	2796210310	COCK BODY-A INC. 158-159	1	
148	2776255208	O-RING	1	
149	2266270118	CLIP	1	
150	2776251508	PIN	1	
151	2146254008	FLOAT CHAMBER PACKING	1	
152	2776250008	NEEDLE	1	
153	2466239008	SEAL	1	
154	2366268008	SEAL	1	
155	2776236008	BOLT	1	
156	2366254108	PACKING	1	
157	2096235108	SCREW ASS'Y	1	
158	2776210018	CUP	1	
159	2776211018	PACKING	1	
160	2776255308	NUT	1	
161	2836235708	SPRING	1	
162	1066255608	SCREW	1	
163	2787924021	FLYWHEEL CP	1	

# SPARE PARTS LIST

MODEL NO. EG300C

ITEM	PART NO.	DESCRIPTION	QTY	NOTE
164	2777943111	IGNITION COIL COMPLETE	1	
165	X655000270	SPARK PLUG CAP	1	
166	27854111H3	COOLING BLOWER	1	
167	0011406250	BOLT & WASHER ASS'Y	2	
168	0180140020	FLANGE NUT M14X1.5X28DX12H	1	
169	0650140150	SPARK PLUG (BR6HS)	1	
170	27773101H1	WIRE 1 CP	1	
171	0569000020	PURSE LOCK ASS'Y	1	
172	2777630121	OIL SENSOR CP	1	
173	0011406160	BOLT & WASHER ASS'Y	2	
174	37B5010100	GENERATOR AY INC. 175-187	1	
175	37B5100101	STATOR CP	1	
176	35B5100101	ROTOR CP INC. 177	1	
177	3535820808	BALL BEARING 6203ZZ	1	
178	3665801608	THROUGH BOLT	1	
179	3675411308	FRONT COVER	1	
180	3595993508	BOLT & WASHER AY	4	
181	3675450808	STATOR COVER	1	
182	37A5200101	REAR COVER CP	1	
183	3895580203	COVER BOLT	3	
184	0032006000	SPRING WASHER	3	
185	37A8220203	WIRE CP	1	
186	37A8220103	BUSHING	1	
187	0043503060	SCREW & WASHER ASS'Y	1	
188	0732005470	LABEL(TRADE MARK)	1	
189	37B6100101	PIPE FRAME CP	1	
190	3773700011	RUBBER MOUNT UNIT(GENERATOR)	2	
191	3773700111	RUBBER MOUNT UNIT(ENGINE)	2	
192	0031008000	WASHER	1	
193	0023808000	FLANGE NUT	8	
194	30A8220103	EARTH CORD CP	1	
195	3924998708	SCREW	1	
196	37B7010100	CONTROL BOX AY INC. 197-202,204-217,219-223	1	
197	37A7110101	CONTROL BOX CP	1	
198	31F7600101	SCREW & WASHER AY	4	
199	30C7200101	CONDENSER	1	
200	30G4760508	CONDENSER BRACKET	1	
201	3904997208	SCREW	1	
202	0021704000	NUT	1	
203	35A6400101	FLANGE BOLT	4	
204	37B7020100	CONTROL PANEL AY INC. 205-217,219-220,223	1	
205	37A7100101	CONTROL PANEL CP	1	
206	34G4990101	AC RECEPTACLE	2	
207	0041104160	SCREW & WASHER ASS'Y	8	
208	0021704000	NUT	8	
209	0032004000	SPRING WASHER	8	
210	32B4315401	CIRCUIT BREAKER AC250V-11A	1	
211	31B7901103	SCREW AND WASHER ASS'Y	2	
212	3564995608	SCREW	1	
213	3320005008	SPRING WASHER	2	
214	3534990308	WASHER	1	
215	3534990208	NUT	1	
216	3725995008	LOCK WASHER	1	
217	3534990108	WING NUT	1	
218	31B7901203	BOLT & WASHER ASSY	4	
219	37A8213403	LABEL(MAKITA-S)	1	
220	37B8213203	LABEL(EG300C)	1	

# SPARE PARTS LIST

---

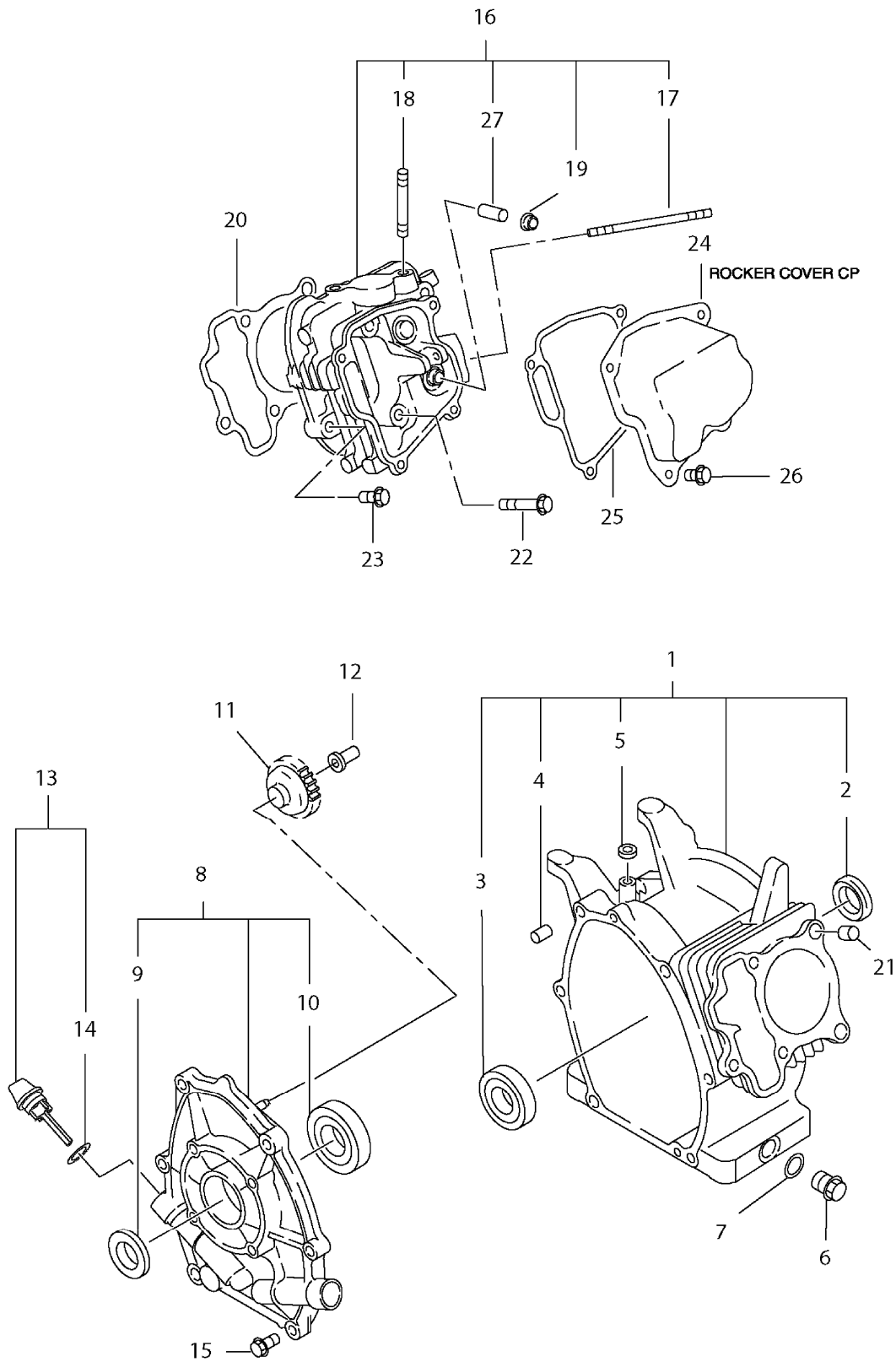
MODEL NO. EG300C

ITEM	PART NO.	DESCRIPTION	QTY	NOTE
221	37A8213303	LABEL(MAKITA-L)	1	
222	37B8210103	LABEL(SPEC.)	1	
223	0732004490	LABEL(ELECTRIC SHOKE)	1	
224	2785270103	BAFFLE 3	1	
225	0152050010	TAPPING SCREW	2	
A01	27790301J0	ACCESSORY TOOL KIT	1	

---

# SERVICE DRAWING

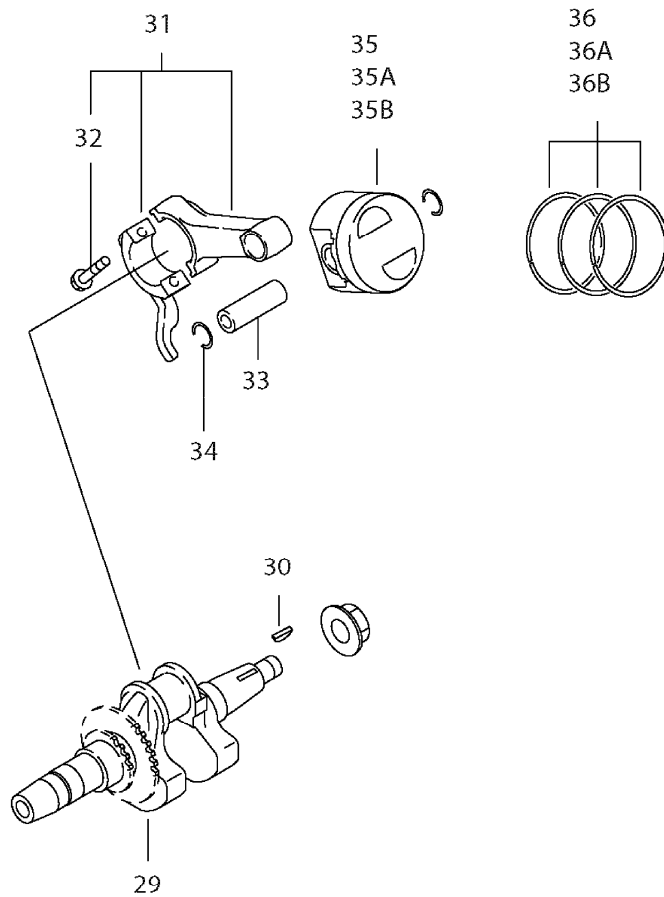
MODEL NO. EG300C



28 — GASKET SET

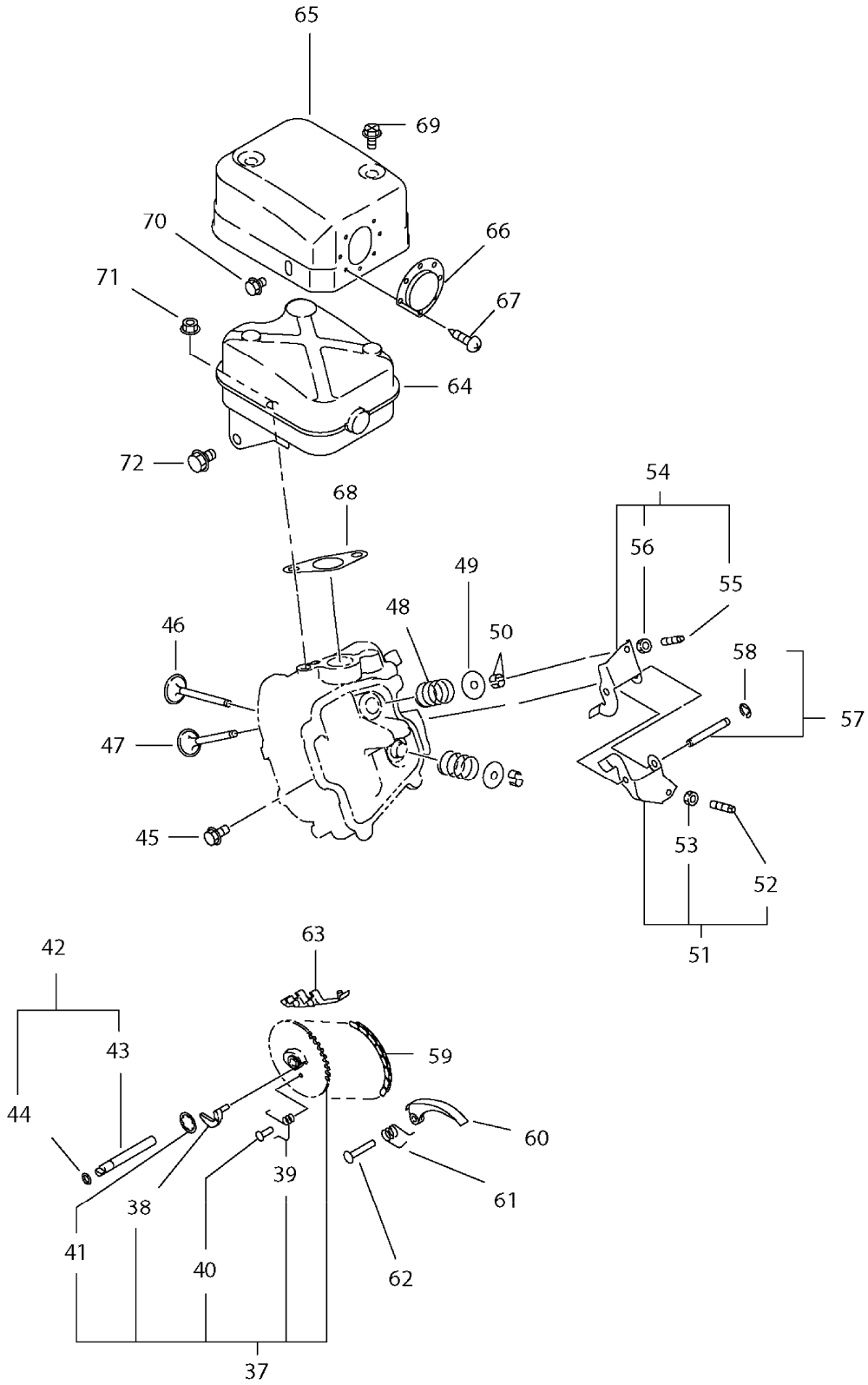
# SERVICE DRAWING

MODEL NO. EG300C



# SERVICE DRAWING

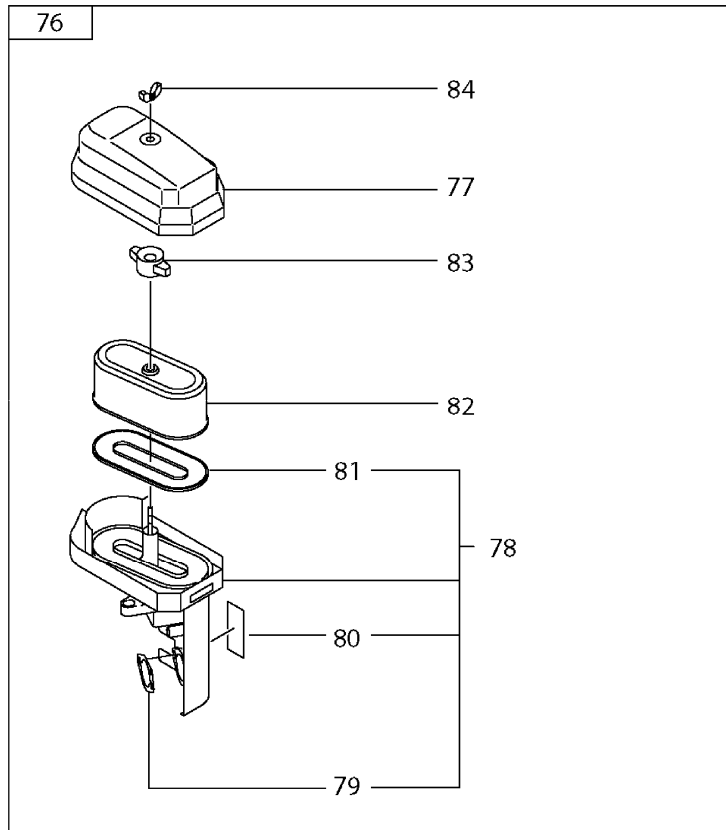
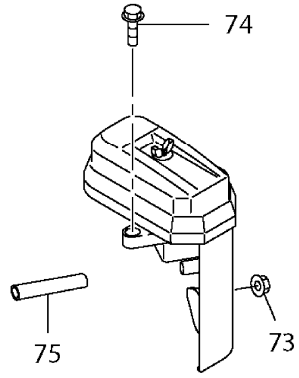
MODEL NO. EG300C





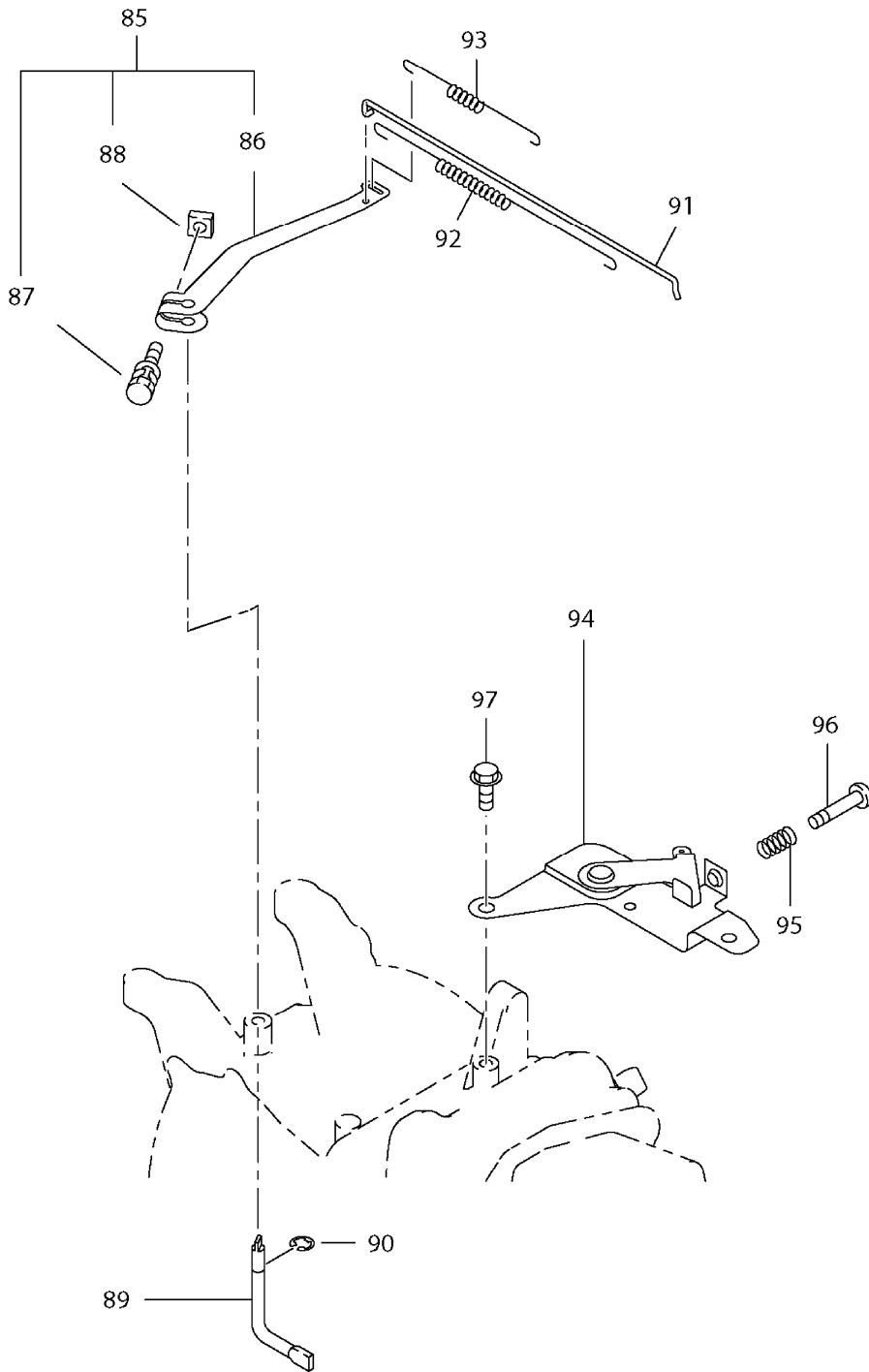
# SERVICE DRAWING

MODEL NO. EG300C



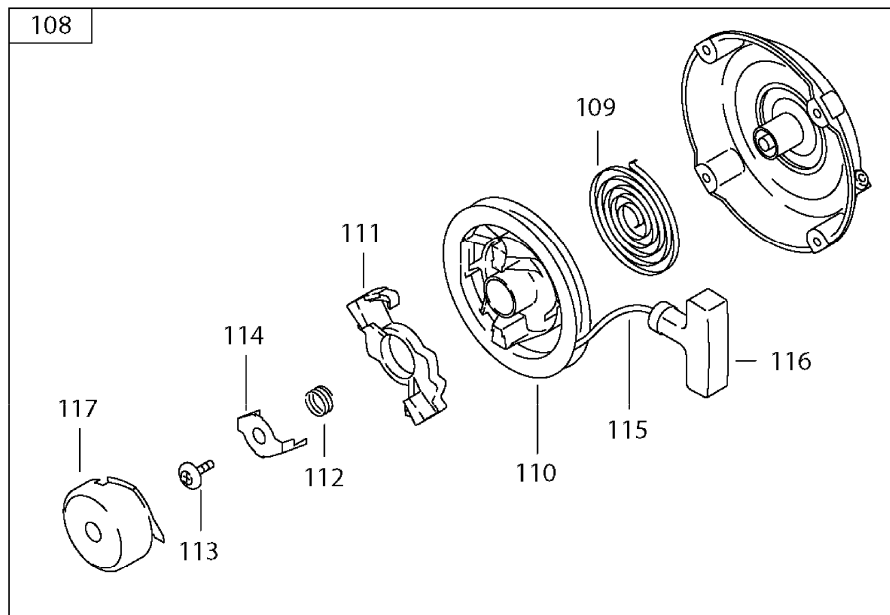
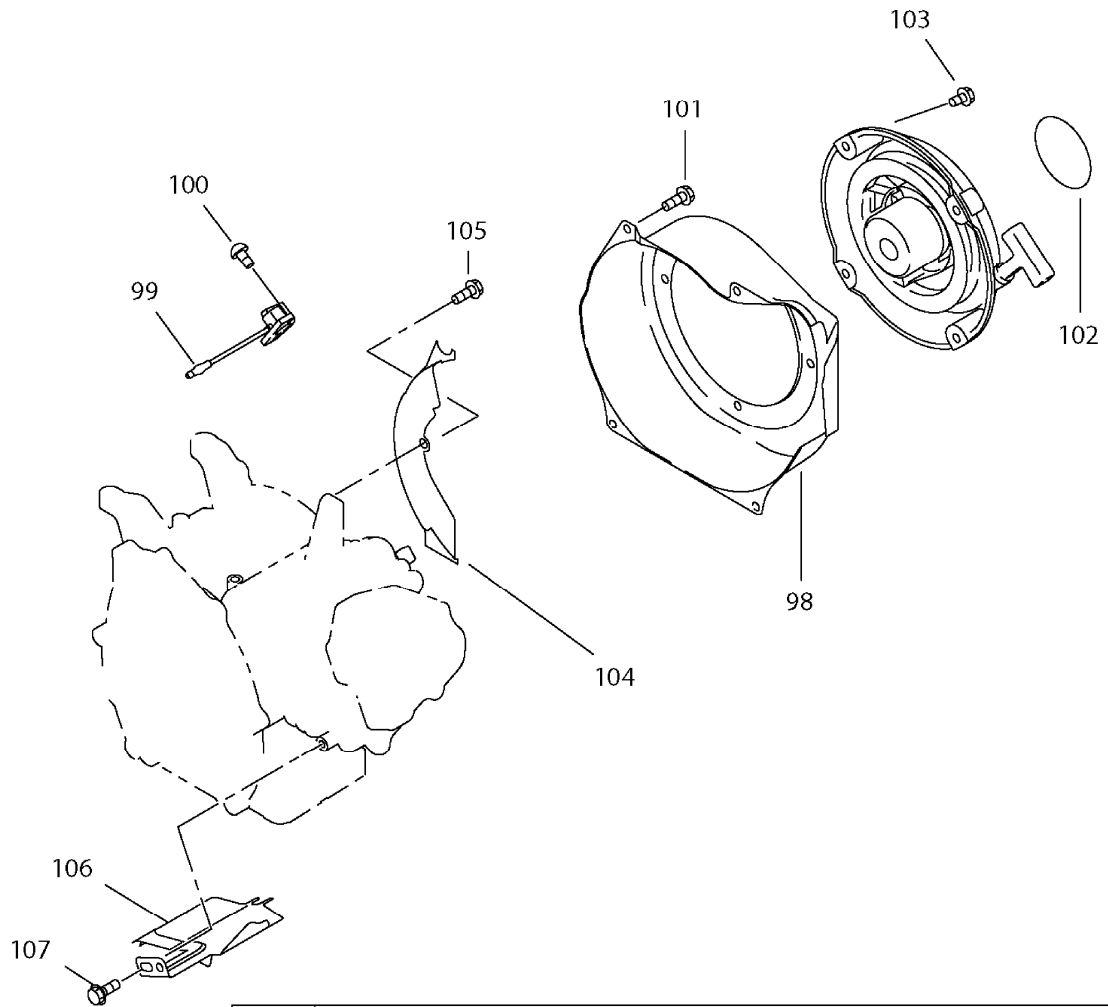
# SERVICE DRAWING

MODEL NO. EG300C



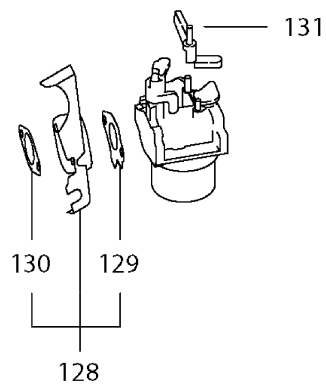
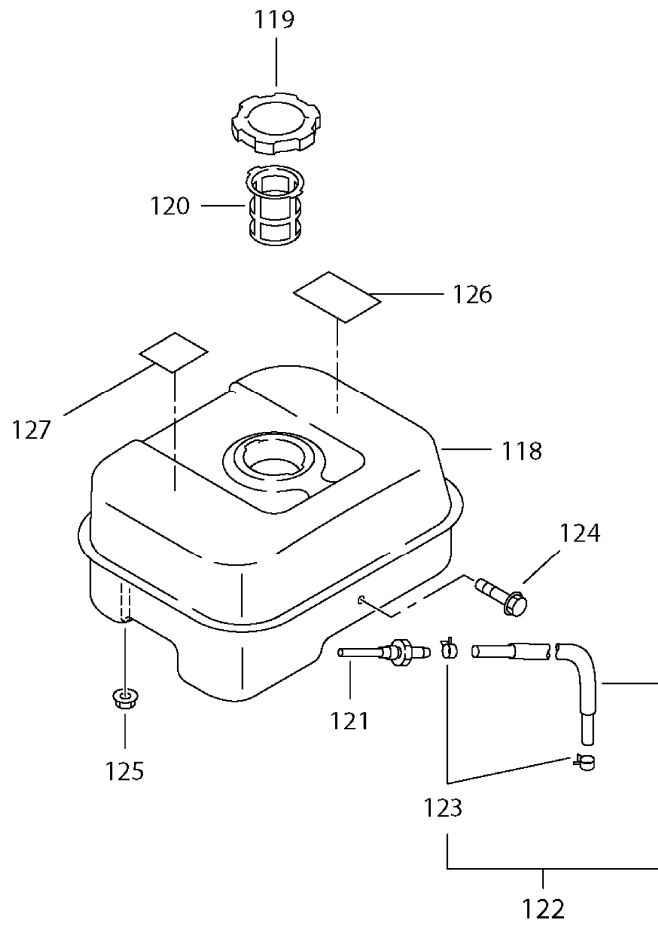
# SERVICE DRAWING

MODEL NO. EG300C



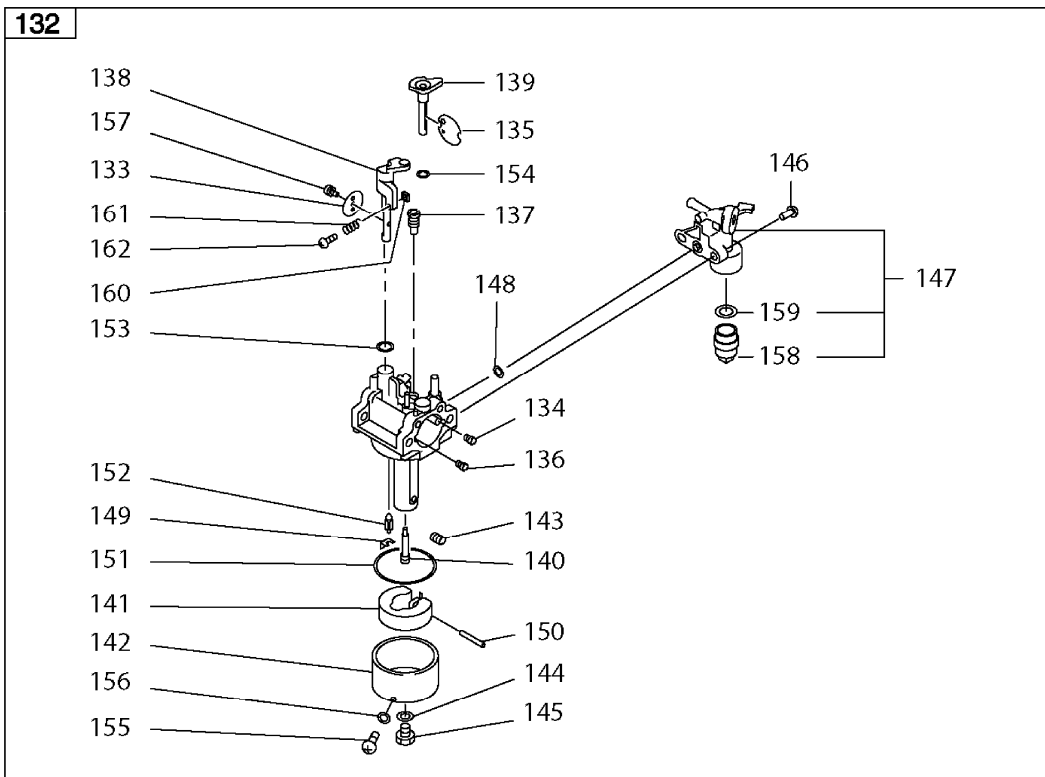
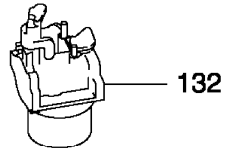
# SERVICE DRAWING

MODEL NO. EG300C



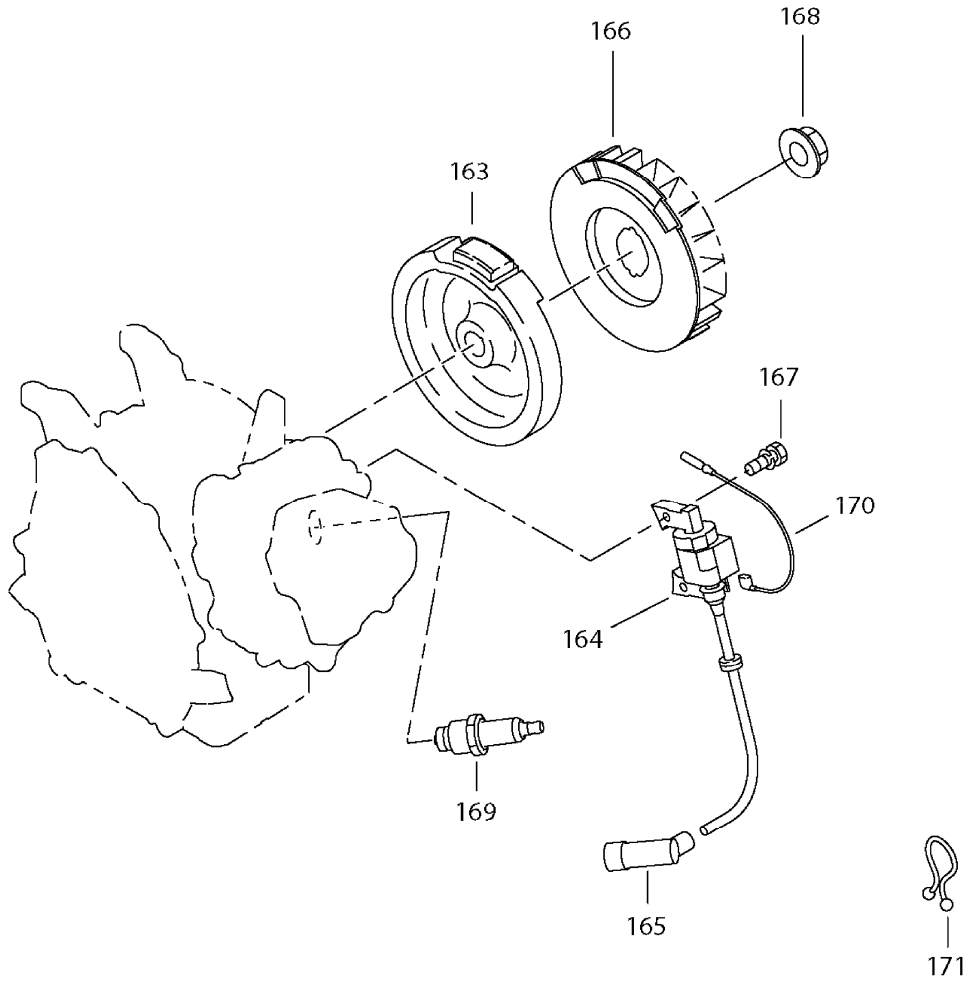
# SERVICE DRAWING

MODEL NO. EG300C

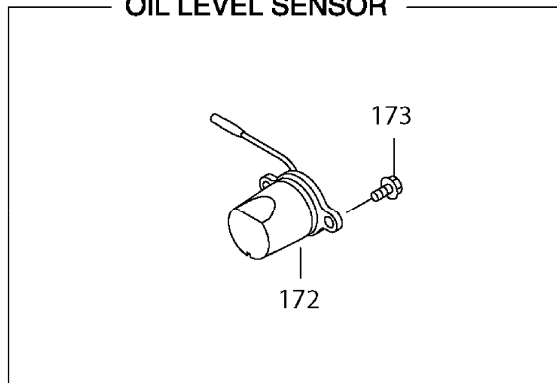


# SERVICE DRAWING

MODEL NO. EG300C

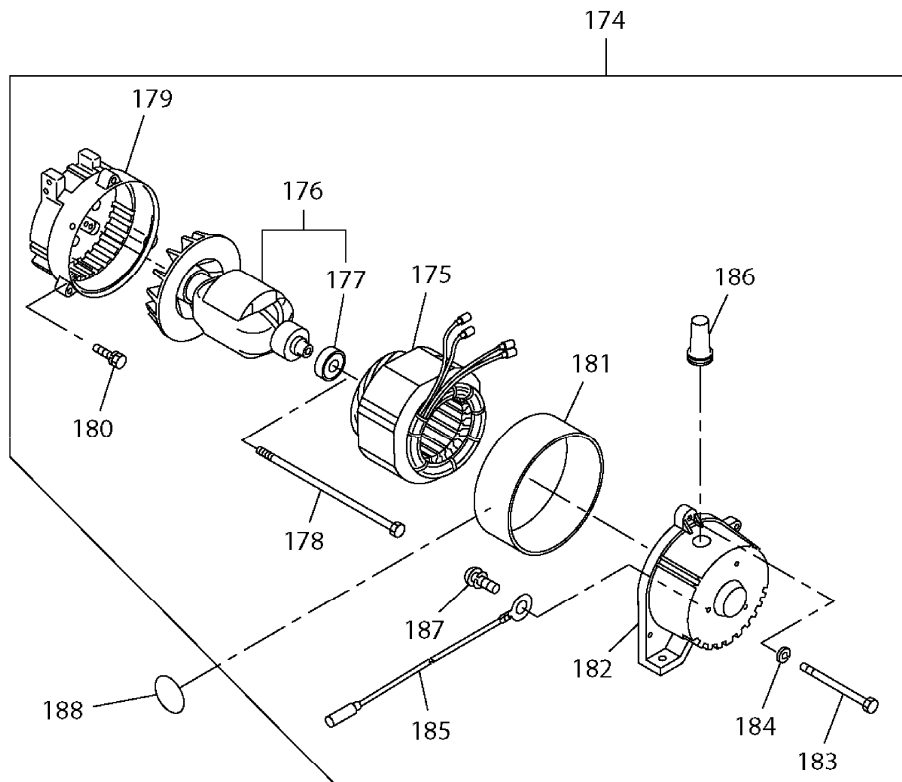


## OIL LEVEL SENSOR



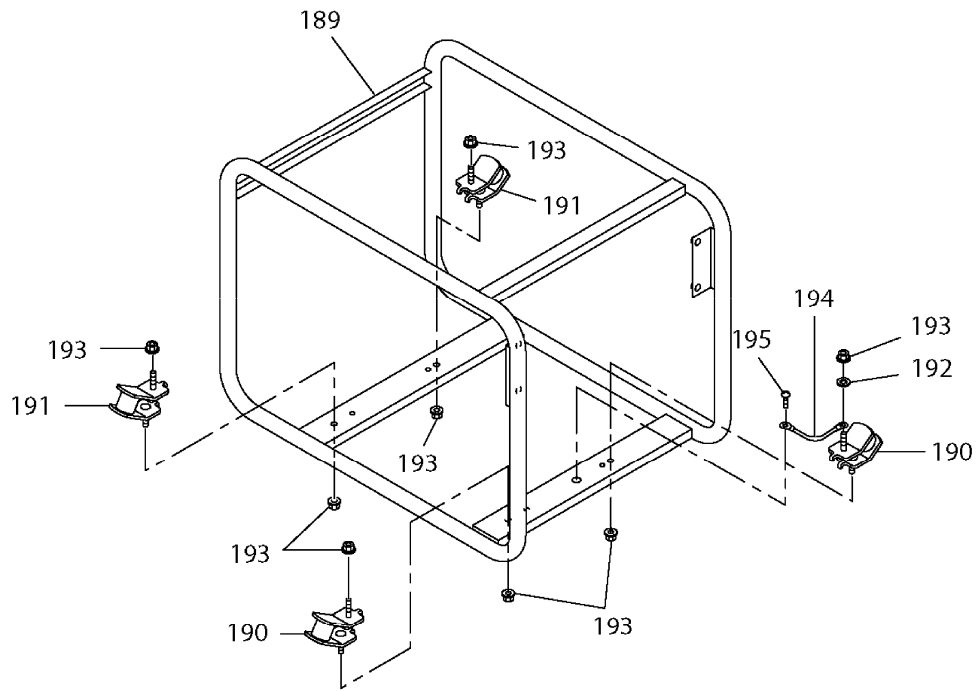
# SERVICE DRAWING

MODEL NO. EG300C



# SERVICE DRAWING

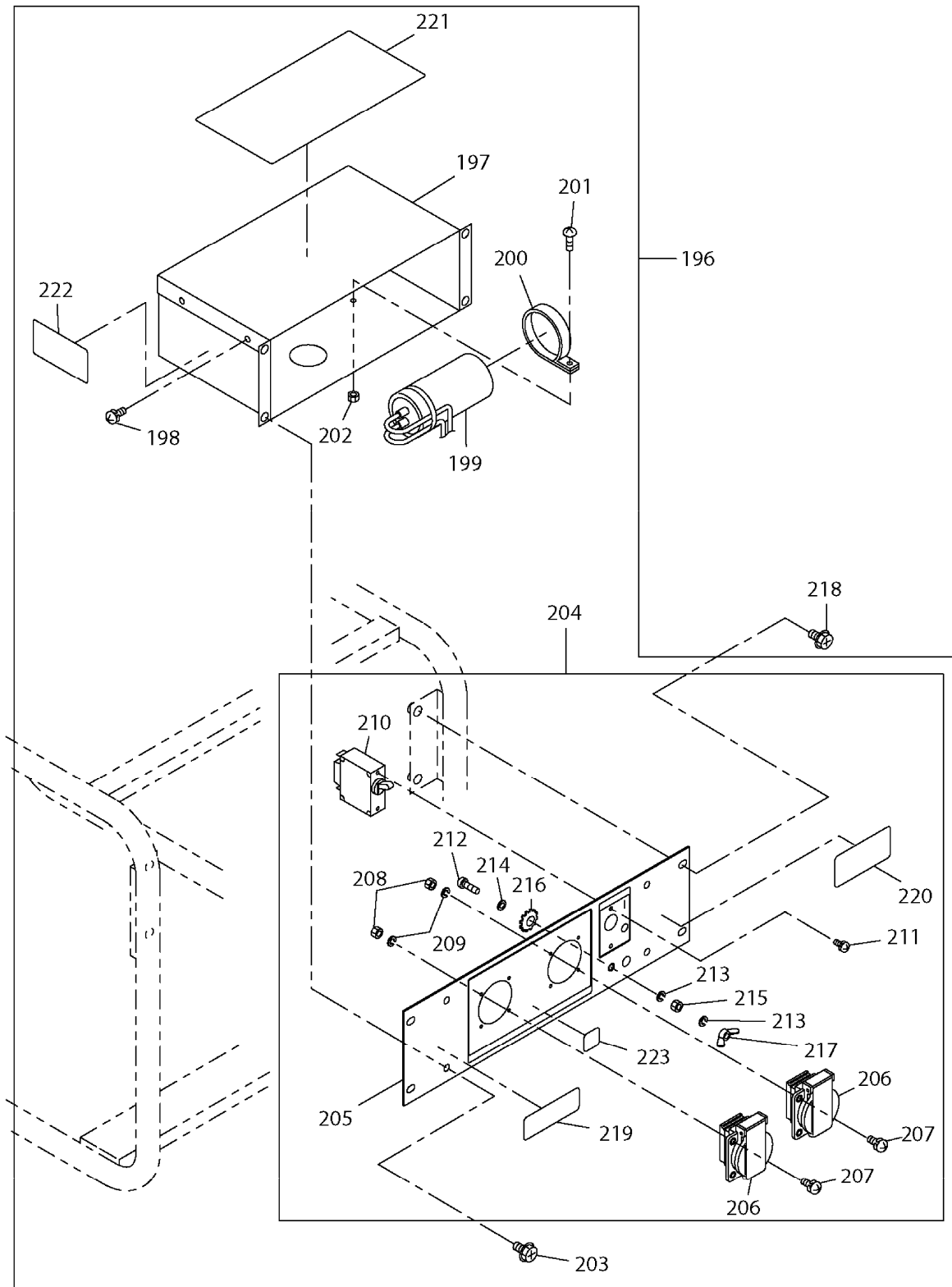
MODEL NO. EG300C





# SERVICE DRAWING

MODEL NO. EG300C



# SERVICE DRAWING

MODEL NO. EG300C

