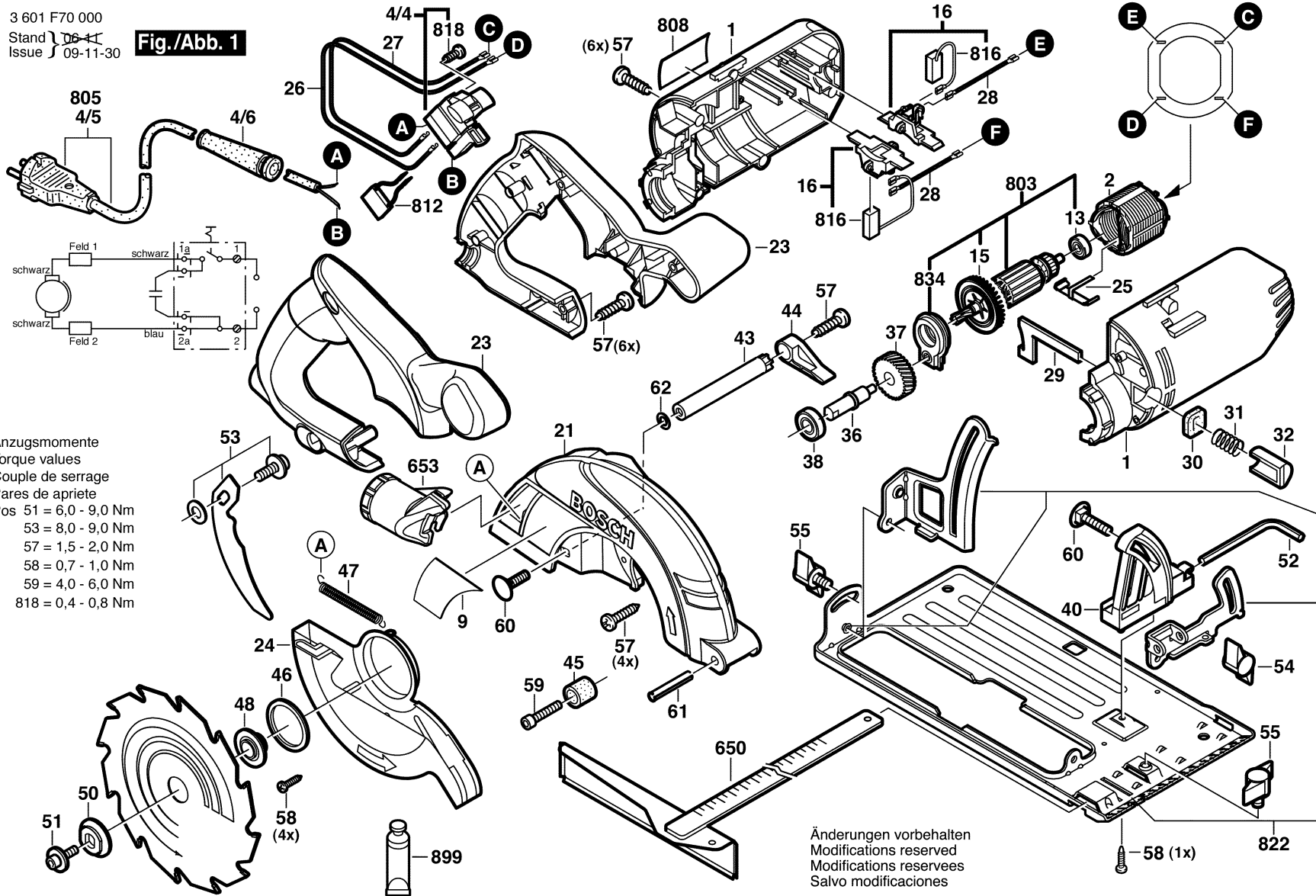


3 601 F70 000  
Stand 06-11  
Issue 09-11-30

**Fig./Abb. 1**



- Anzugsmomente  
Torque values  
Couple de serrage  
Pares de apriete  
Pos 51 = 6,0 - 9,0 Nm  
53 = 8,0 - 9,0 Nm  
57 = 1,5 - 2,0 Nm  
58 = 0,7 - 1,0 Nm  
59 = 4,0 - 6,0 Nm  
818 = 0,4 - 0,8 Nm

Änderungen vorbehalten  
Modifications reserved  
Modifications reserves  
Salvo modificaciones