

# SPARE PARTS LIST

MODEL NO. DBC3310

ITEM	PART NO.	DESCRIPTION	QTY	NOTE
001	384100100	SHORT BLOCK 33ML INC. 2,3,6-9,13-17	1	
002	384131011	CYLINDER 37MM	1	
003	384132000	PISTON ASSY 37MM INC. 4,5	1	
004	021132030	PISTON RING 37MM	1	
005	385132030	PISTON PIN	1	
006	385132040	SPRING RING	2	
007	965527010	GASKET	1	
008	385111100	CRANKCASE ASSY.	1	
009	385120100	CRANK SHAFT ASSY. INC. 10-12	1	
010	960102129	BALLBEARING 6201	1	
011	939620371	KEY	1	
012	960102129	BALLBEARING 6201	1	
013	962211033	NEEDLE CAGE	1	
014	962900057	RADIAL RING	1	
015	900006217	DISC	1	
016	962900024	RADIAL RING	1	
017	908505555	SCREW M5X55	4	
018	913467304	SCREW 6.7X30	4	
019	385118011	HOOD	1	
021	908605205	SCREW M5X20	4	
022	386110011	MOTOR HOUSING INC. 23,24	1	
023	001131020	NIPPLE	1	
024	965452060	TUBE	1	
025	965404240	PLUG	1	
026	965404240	PLUG	1	
027	385217000	CLUTCH CASE ASSY	1	
028	965403380	RING BUFFER	2	
029	965903061	CLAMPING RING	1	
030	908006255	FILLISTER HEAD SCREW M6X25	1	
031	913467254	SCREW 6.7X25	4	
032	010181000	CLUTCH SHOE,SET INC. 33	1	
033	385184020	SPRING	1	
034	385141011	FLYWHEEL	1	
035	928308001	SPRING WASHER 8X17	1	
036	920308024	HEXAGONAL NUT M8	1	
037	385143030	IGNITION COIL	1	
038	965605411	PLUG	1	
039	908605205	SCREW M5X20	2	
040	970502110	INSULATING HOSE	1	
041	970310200	IGNITION CABLE 14-1/8"	1	
042	385147100	PLUG CAP WITH SPRING	1	
043	965603021	SPARK PLUG BPMR7A	1	
044	385160103	STARTER ASSY INC. 45-49	1	
045	387164010	STARTER ROPE	1	
046	957404691	STARTER GRIP CPL.	1	
047	957160385	STARTER REPAIR SET	1	
048	385162020	CABLE DRUM	1	
049	385163100	REWIND SPRING	1	
050	385166040	STARTER WHEEL	1	
051	920308024	HEXAGONAL NUT M8	1	
052	908605205	SCREW M5X20	1	
053	980114147	LABEL	1	
057	957174385	MUFFLER INC. 58	1	
058	908405145	SCREW M5X14	5	

# SPARE PARTS LIST

MODEL NO. DBC3310

ITEM	PART NO.	DESCRIPTION	QTY	NOTE
059	965527040	GASKET	1	
060	385174011	COOLING PLATE	1	
061	965527030	GASKET	1	
062	385131071	INTERMEDIATE FLANGE, CPL.	1	
064	965527020	GASKET	1	
065	385154010	ADJUSTING GUIDE	1	
066	028150740	CHOKE LEVER	1	
067	385150030	CHOKE LINKAGE	1	
068	385150020	SPRING SHACKLE	1	
069	915135130	SCREW 3.5X13	1	
070	001173060	NUT	2	
071	965527060	GASKET	1	
072	385173100	AIR FILTER	1	
073	385118060	COOLING COVER	1	
074	908605145	FILLISTER HEAD SCREW M5X14	2	
075	385151001	CARBURETOR CPL INC. 76-100	1	
076	021151160	PUMP COVER	1	
077	001151400	IDLE STOP SCREW	1	
078	021151230	PRESSURE SPRING	1	
079	118151190	SCREW	1	
080	957151010	PUMP DIAPHRAGM,SET	1	
081	021151120	DIAPHRAGM COVER	1	
082	118151020	SCREW	4	
083	118151020	SCREW	1	
084	957151020	CONTROL DIAPHRAGM,SET	1	
085	385151040	THROTTLE SHAFT	1	
086	371151310	SPRING	1	
087	001151680	THROTTLE SHUTTER	1	
088	118151060	SCREW	1	
089	118151060	SCREW	1	
090	108151350	SHAFT CLIP	1	
091	385151020	SHAFT ASSY. CHOKE	1	
092	001151350	CHOKE SHUTTER	1	
093	118151170	FRICITION BALL	1	
094	118151160	FRICITION SPRING	1	
095	021151530	SPRING(H)	1	
096	021151480	SPRING(L)	1	
097	021151180	SCREEN	1	
098	957150040	SET OF CONTROL PARTS	1	
099	001151420	MAIN ADJUSTMENT SCREW(H)	1	
100	001151410	IDLING ADJUSTMENT SCREW(L)	1	
101	385114611	TANK ASSY INC. 102-105,108	1	
102	957114011	VENT VALVE ASSY.	1	
103	965452060	TUBE	1	
104	010114045	TANK PLUG CPL	1	
105	963601420	SUCTION HEAD CPL INC. 106,107	1	
106	963601150	SUCTION HEAD	1	
107	928605500	DISC	1	
108	965452480	FUEL LINE	1	
109	385310631	CLAMPING PIECE	1	
110	908006305	FILLISTER HEAD SCREW M6X30	1	
111	924106400	WASHER M6	1	
112	920206000	HEXAGONAL NUT M6	1	
113	385365010	INSERTING PLATE	1	
114	965403380	RING BUFFER	2	
115	385316010	ORIFICE PLATE	1	
116	913467164	SCREW 6.7X16	2	
117	980114145	LABEL DBC3300	1	

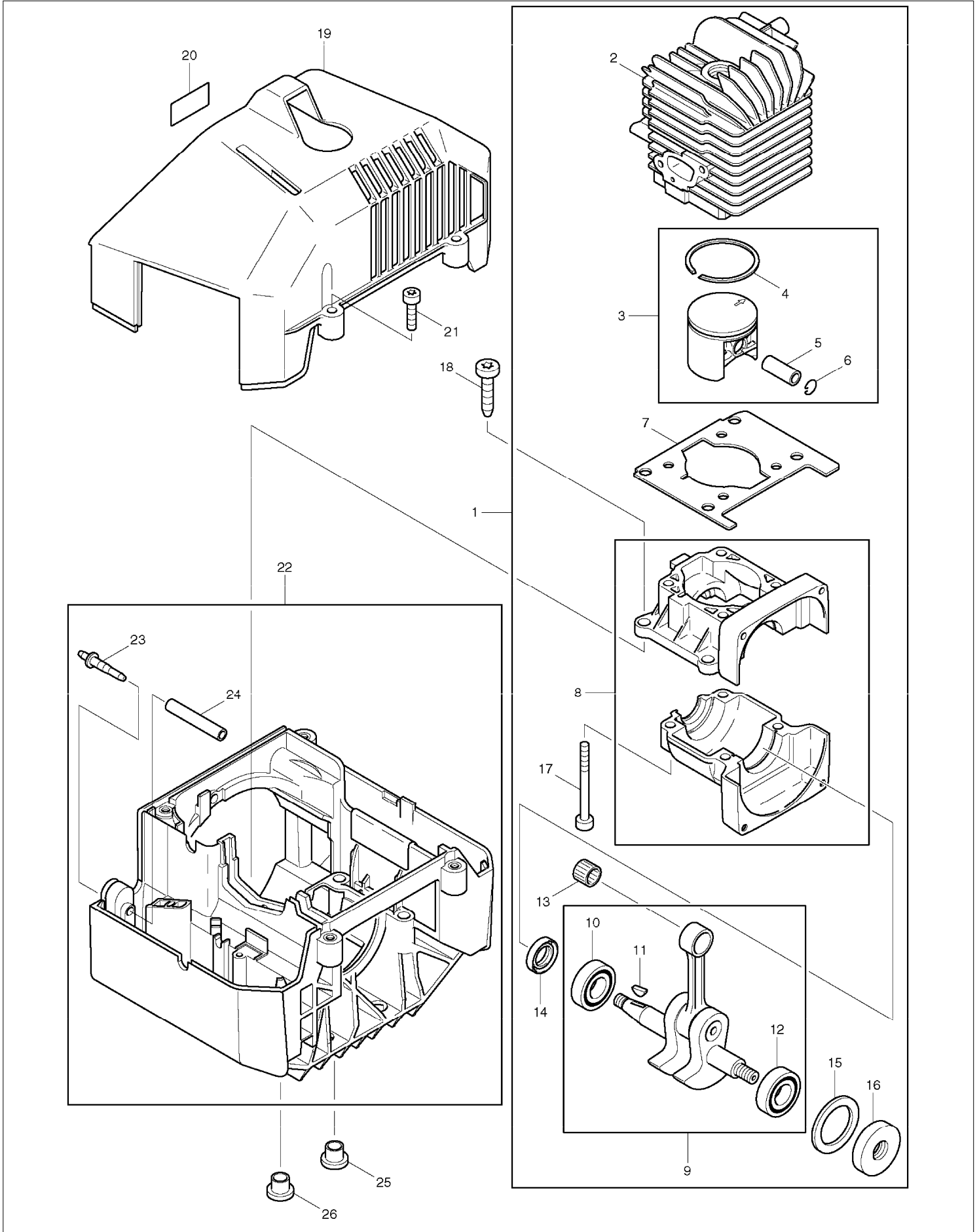
# SPARE PARTS LIST

MODEL NO. DBC3310

ITEM	PART NO.	DESCRIPTION	QTY	NOTE
118	369313202	OPERATING LEVER ASSY. INC. 119,121-125	1	
119	385726070	BOWDEN CABLE CPL.	1	
120	385310161	HANDLE	1	
121	369313290	HANDLE HALF,RIGHT,CPL	1	
122	369313080	HANDLE HALF,LEFT	1	
123	369311080	THROTTLE LEVER	1	
124	369311071	SPRING	1	
125	975001210	SHORT CIRCUIT SWITCH	1	
126	915735100	SCREW M3.5X10	2	
127	965903080	CLAMPING RING	1	
128	908006255	FILLISTER HEAD SCREW M6X25	1	
129	385176010	RETAINING CLIP	1	
130	913455204	FILLISTER HEAD SCREW 5.5X20	1	
131	965401018	RUBBER BUSH	1	
132	387311100	HANDLE, LEFT	1	
133	957310610	CLAMPING HOLDER SET INC. 134-136	1	
134	900108555	HEXAGONAL SCREW M8X55	1	
135	924108400	DISC 8.4	1	
136	908005165	FILLISTER HEAD SCREW M5X16	2	
138	010261020	MAIN PIPE ASSY INC. 140-142	1	
139	385228030	TRANSMISSION SHAFT	1	
140	980114628	LABEL	1	
141	980114148	LABEL	1	
142	980114119	LABEL	1	
143	010341612	PROTECTION HOOD ASSY INC. 144-146	1	
144	908005165	FILLISTER HEAD SCREW M5X16	1	
145	385341021	PLATE	1	
146	957341010	LINE CUTTER	1	
147	010341630	PROTECTION HOOD CPL 200 INC. 148	1	
148	908005125	FILLISTER HEAD SCREW M5X12	3	
149	385200203	BEVEL GEAR ASSY INC. 150-153,156,158-160	1	
150	957385272	TOOL ROCKING SYST.CPL	1	
151	962900055	RADIAL RING	1	
152	900210104	HEXAGONAL HEAD SCREW M10X1.25	1	
153	963604084	GASKET	1	
154	908005125	FILLISTER HEAD SCREW M5X12	1	
155	908005255	FILLISTER HEAD SCREW M5X25	2	
156	385228020	DISTANCE RING	1	
157	385224410	WINDING PREVENTER	1	
158	385224012	MOUNTING DISC	1	
159	385224022	PRESSURE DISC	1	
160	385228041	SAFETY NUT M12X1.5L	1	
161	385218020	SLIDING CUP	1	

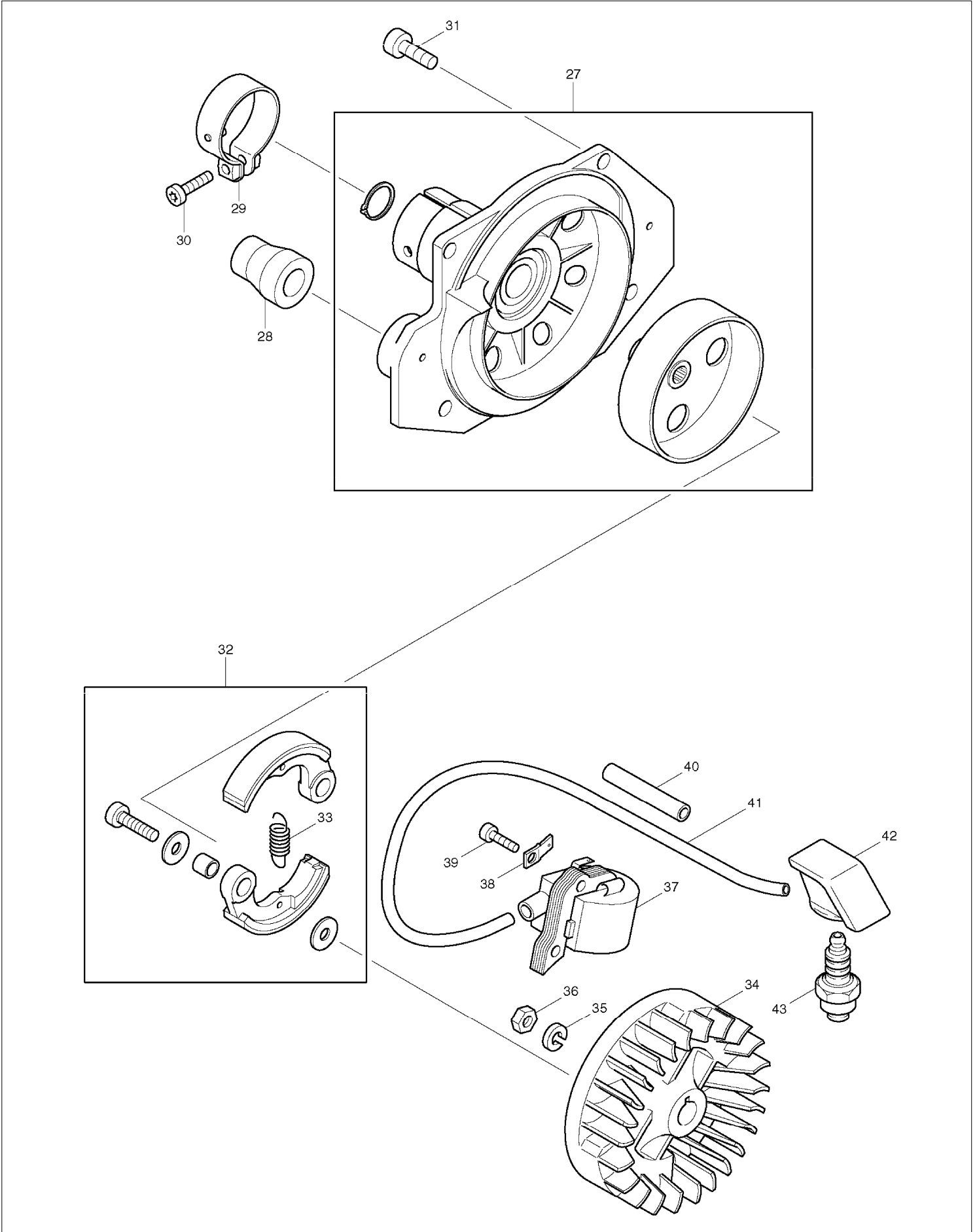
# SERVICE DRAWING

MODEL NO. DBC3310



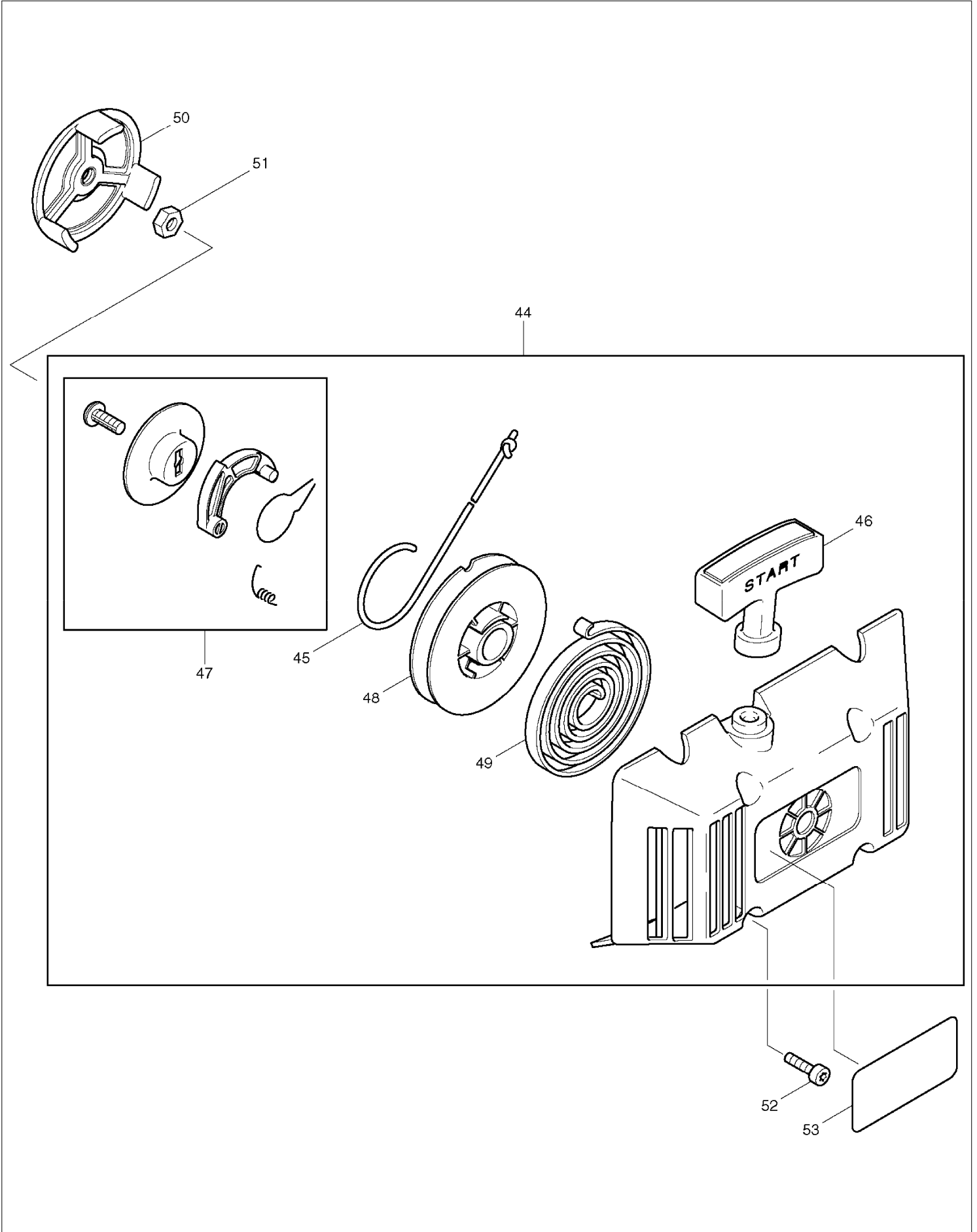
# SERVICE DRAWING

MODEL NO. DBC3310



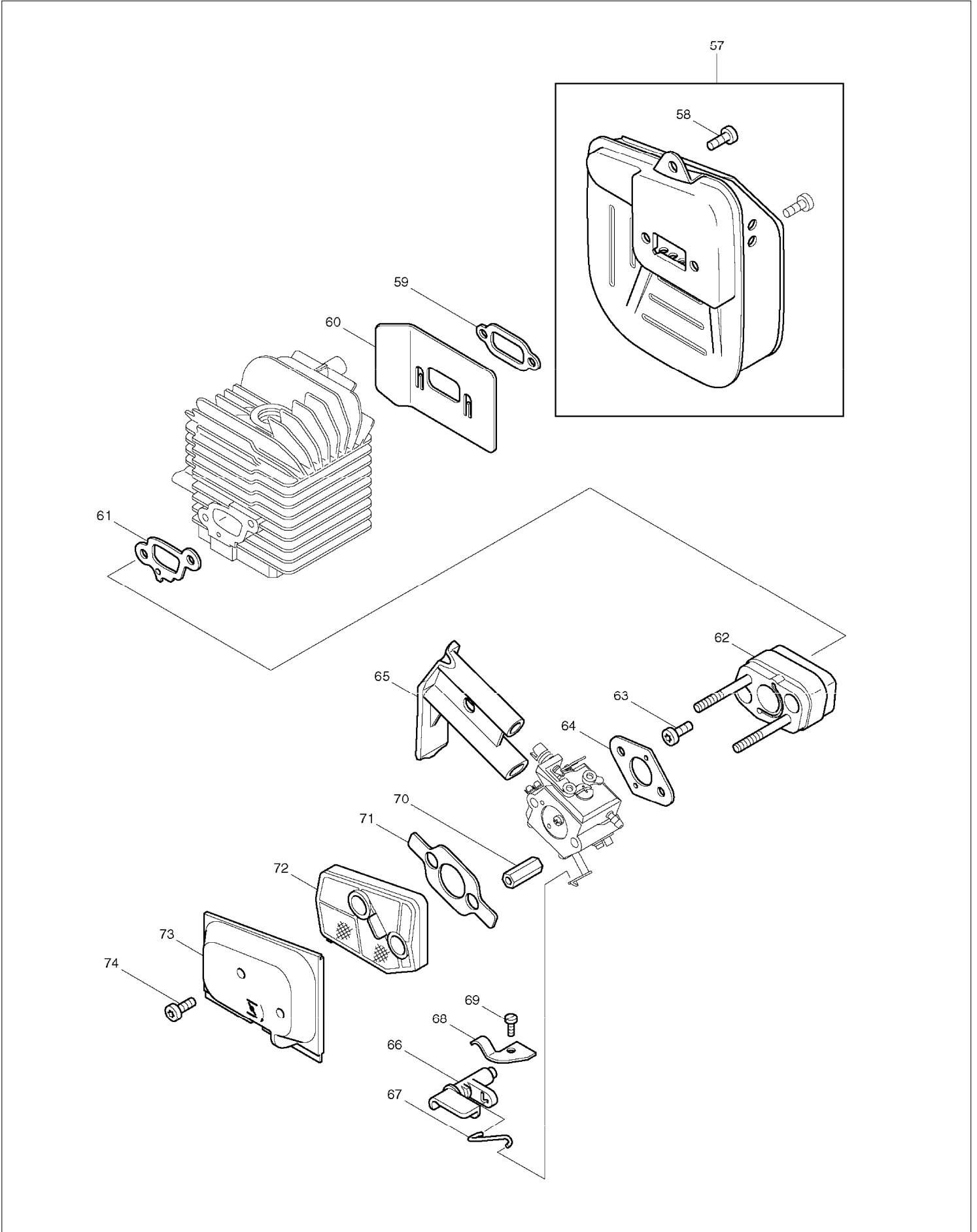
# SERVICE DRAWING

MODEL NO. DBC3310



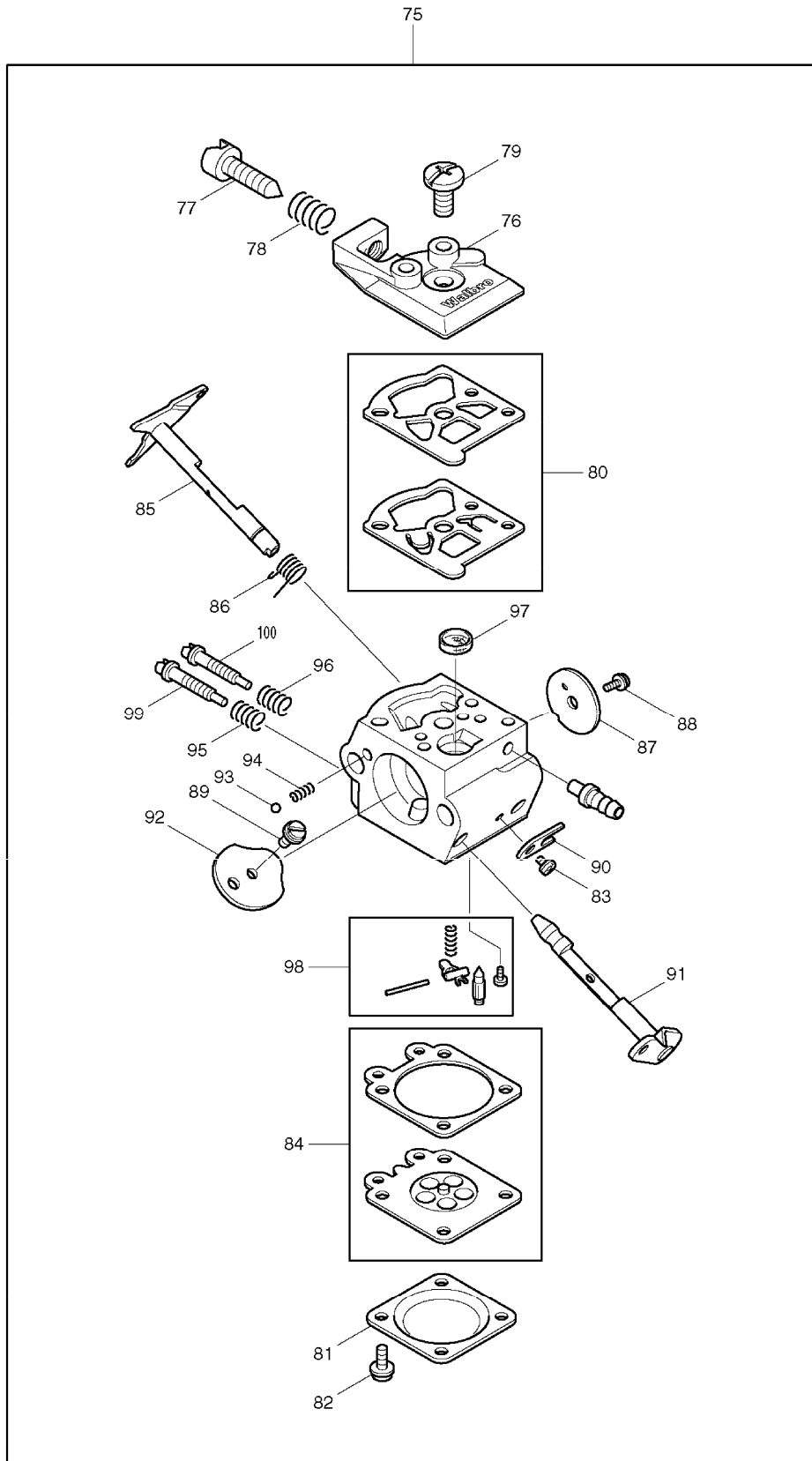
# SERVICE DRAWING

MODEL NO. DBC3310



# SERVICE DRAWING

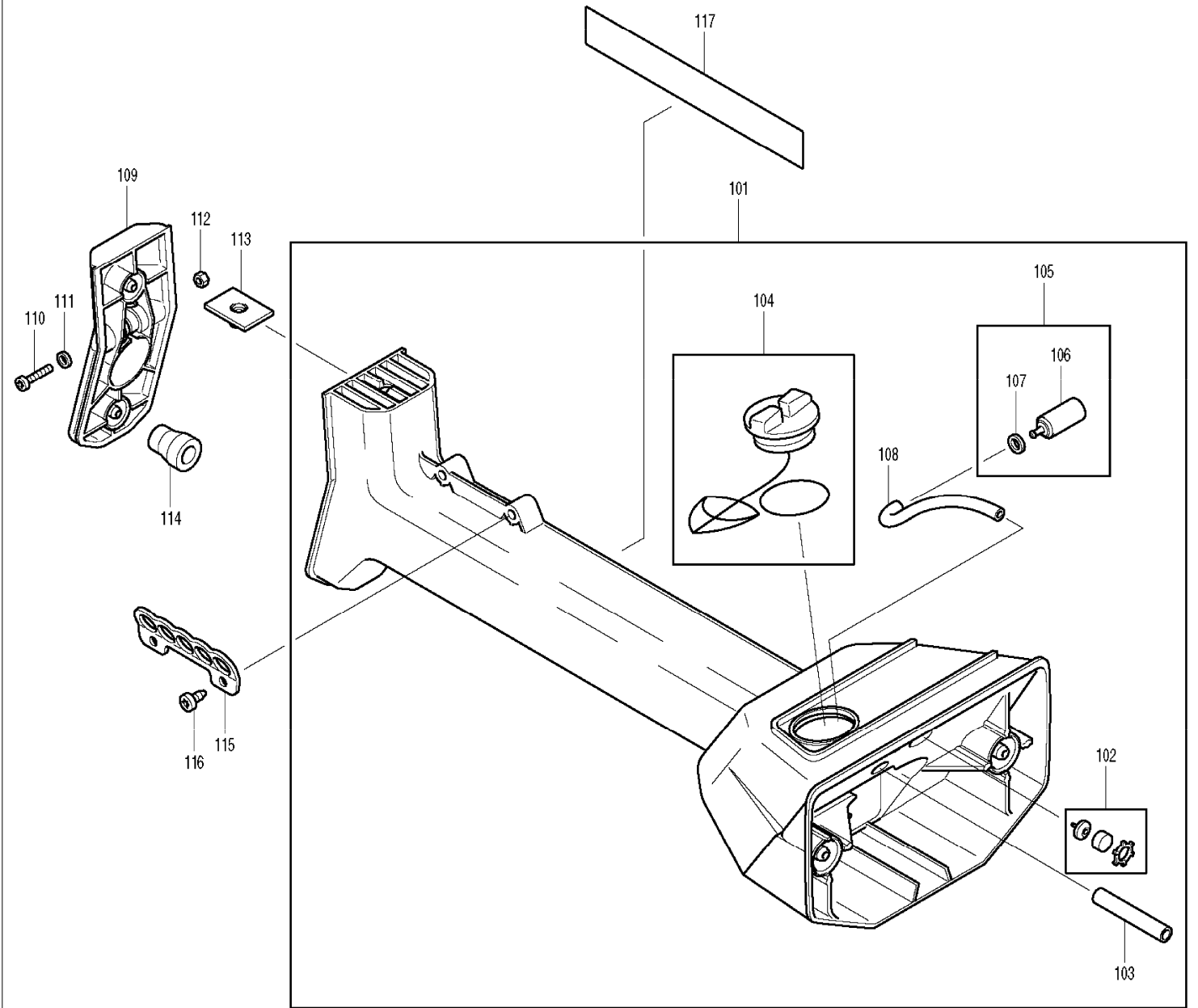
MODEL NO. DBC3310





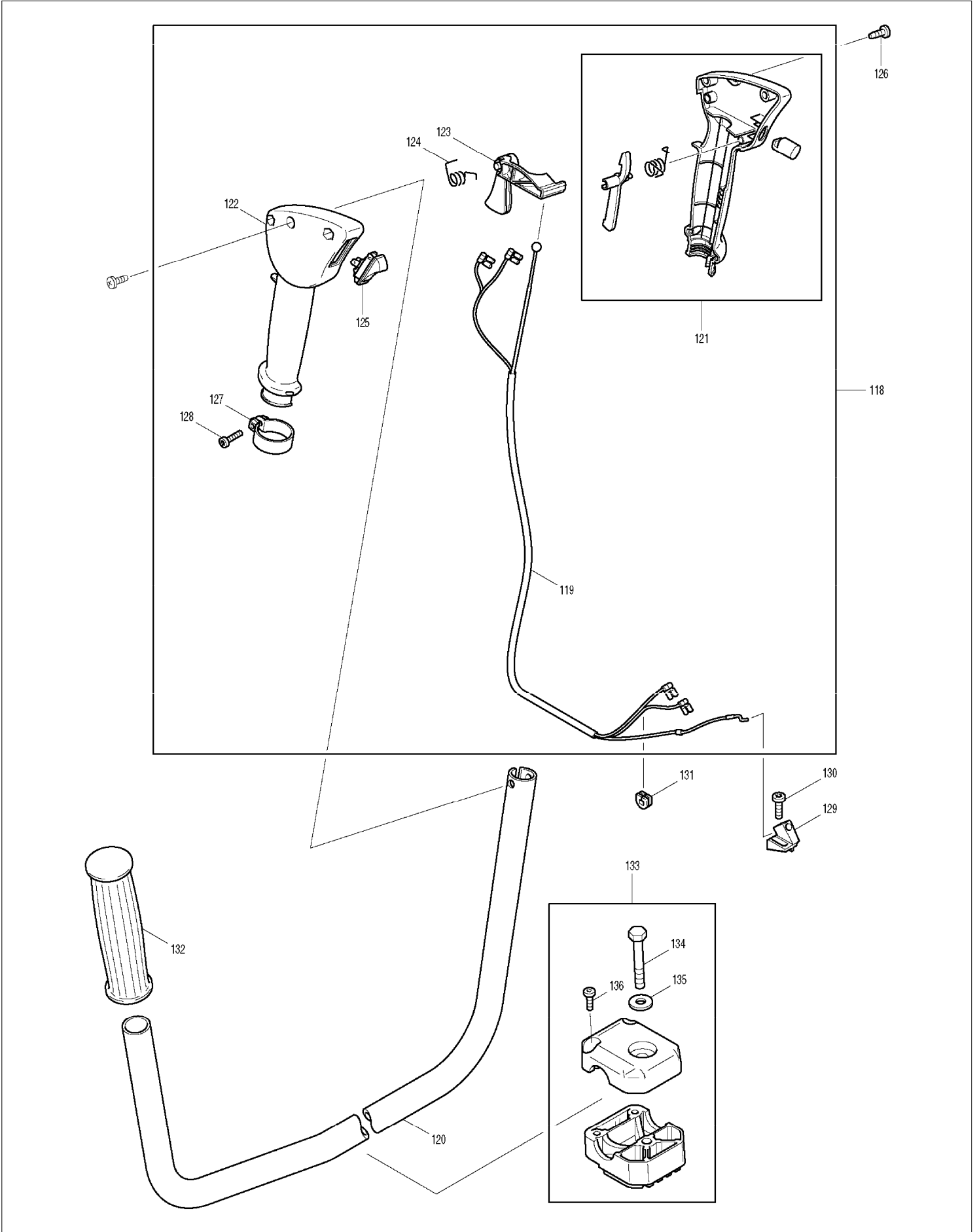
# SERVICE DRAWING

MODEL NO. DBC3310



# SERVICE DRAWING

MODEL NO. DBC3310



# SERVICE DRAWING

MODEL NO. DBC3310

