

SPARE PARTS LIST

MODEL NO. DCS401

ITEM	PART NO.	DESCRIPTION	QTY	NOTE
001	028131160	CYLINDER(40MM)	1	
002	001151670	ANGULAR NIPPLE	1	
003	965524042	GASKET	1	
004	028132110	PISTON ASSY.(40MM) INC. 5-7	1	
005	021132230	PISTONRING(40MM)	1	
006	021132020	PISTON PIN	1	
007	108132050	SPRING RING	2	
008	957120028	CRANKSHAFT CPL. INC. 9-12	1	
009	021123010	CON-ROD CPL.	1	
010	962640061	ROLLER	12	
011	939615260	KEY	1	
012	920108044	HEXAGONAL NUT, LEFT THR.	1	
013	108121010	STOP DISC	2	
014	965524011	GASKET	1	
015	028111640	CRANKCASE, M. SIDE CPL. INC. 16-20	1	
016	936430160	SPIRAL CLAMPING PIN	2	
017	965403490	RUBBER BUFFER	3	
018	962300011	NEEDLE CAGE	1	
019	929319101	SNAP RING	1	
020	962900049	RADIAL RING	1	
021	965450042	OIL TANK PLUG ASSY.	1	
022	963100043	GASKET	1	
023	028111630	CRANKCASE, CL.SIDE CPL. INC. 24-26	1	
024	010245010	VENT VALVE, OIL	1	
025	021245070	GUIDE PIN	1	
026	905808254	BOLT M8X25	1	
027	908005305	FILLISTER HEAD SCREW M5X30	6	
028	001213042	NUT WITH PIVOT	1	
029	389213080	TENSIONING SCREW	1	
030	957250015	SPIKE BAR ASSY.	1	
031	908105124	FILLISTER HEAD SCREW M5X12	2	
032	908405255	FILLISTER HEAD SCREW	4	
033	028142021	IGNITION ELECTRONIC ASSY.	1	
034	028147000	SHORT-CIRCUIT CABLE INC. 34-37	1	
035	970310200	IGNITION CABLE 14-1/8"	1	
036	970502110	INSULATING HOSE	1	
037	957604260	PLUG CAP CPL. INC. 38	1	
038	965604180	SPRING	1	
039	965603018	SPARK PLUG BPM-R-6F	1	
040	908605145	FILLISTER HEAD SCREW M5X14	2	
041	965404031	STARTER GRIP	1	
042	900004375	DISC	1	
043	021160001	STARTER ASSY. INC. 44-45	1	
044	985000150	STARTER ROPE	1	
045	028166030	STARTER RATCHET/SPRING	1	
046	021166040	SNAP RING	1	
047	021141011	FLYWHEEL	1	
048	928308001	SPRING WASHER 8X17	1	
049	920308024	HEXAGONAL NUT M8	1	
050	028112630	FAN HOUSING	1	
051	908005165	FILLISTER HEAD SCREW M5X16	3	
052	028213615	HAND GUARD CPL. INC. 53	1	
053	980114237	LABEL	1	

SPARE PARTS LIST

MODEL NO. DCS401

ITEM	PART NO.	DESCRIPTION	QTY	NOTE
054	028213560	SPRING	1	
055	028213670	CHAIN BRAKE CPL. INC. 56-58	1	
056	028213501	BRAKE SPRING	1	
057	980114251	LABEL	1	
058	923208004	HEXAGONAL NUT M8	1	
059	021245003	OIL PUMP CPL.	1	
060	965451962	SUCTION LINE ASSY. FOR OIL	1	
061	021245040	WORM	1	
062	021245080	SEALING CAP	1	
063	021111037	GUIDE PLATE	1	
064	021224011	SHIM	1	
065	028223060	CLUTCH DLUM	1	
066	021180011	CLUTCH ASSY. INC. 67	1	
067	028184020	FLAT SPRING	2	
069	908205605	FILLISTER HEAD SCREW M5X60	2	
070	928405000	SPRING WASHER	2	
072	021174301	MUFFLER	1	
075	965524062	GASKET	1	
076	028118320	COVER ASSY. INC. 77,78	1	
077	028118180	INSERT	1	
078	001118062	NUT M5	2	
079	028173041	AIR FILTER	1	
081	908205605	FILLISTER HEAD SCREW M5X60	1	
082	028118150	HOOD	1	
083	908005165	FILLISTER HEAD SCREW M5X16	1	
084	028310050	TUBULAR HANDLE	1	
085	913455454	SCREW 5.5X45	1	
086	028114692	TANK COMPLETE INC. 87-91	1	
087	965404590	FUEL LINE	1	
088	937130120	RIVET	1	
089	957114011	VENT VALVE ASSY.	1	
090	028117245	THROTTLE LINKAGE	1	
091	965403491	RUBBER BUFFER	1	
092	913455204	FILLISTER HEAD SCREW 5.5X20	1	
093	021114051	FIXING BUSH	3	
094	908005305	FILLSTER HEAD SCREW M5X30	1	
095	913455304	SCREW M5.5X30	2	
096	980003583	CABLE STRAP	1	
097	010114010	SUCTION HEAD(FUEL)	1	
098	010114050	TANK CAP ASSY.(FUEL) INC. 99	1	
099	963228030	O-RING 28	1	
100	920205000	HEXAGONAL NUT M5	2	
101	965524120	GASKET	1	
102	965452060	TUBE	1	
103	970502110	INSULATING HOSE	1	
104	965524092	GASKET	1	
105	965524131	GASKET	1	
106	028131061	INTERMEDIATE FLANGE	1	
107	965524082	GASKET	1	
108	028118271	BOTTOM	1	
109	965404430	GASKET	1	
110	900205554	SCREW M5X55	2	
111	908005305	FILLSTER HEAD SCREW M5X30	2	
112	028150750	CHOKE LINKAGE	1	
113	028150740	CHOKE LEVER	1	
114	028118121	STOP SWITCH	1	

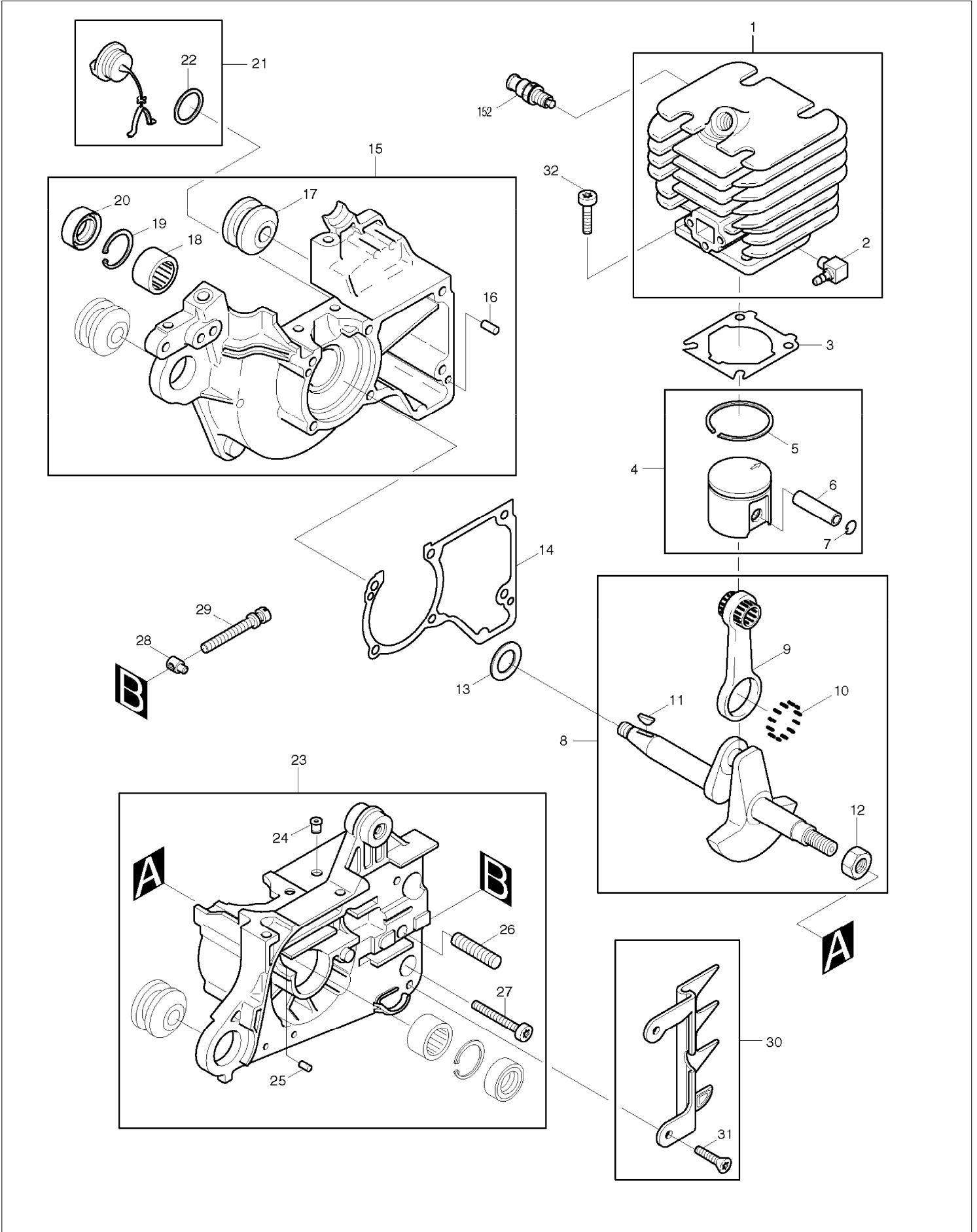
SPARE PARTS LIST

MODEL NO. DCS401

ITEM	PART NO.	DESCRIPTION	QTY	NOTE
115	965404421	GASKET	1	
116	028118160	PLATE	1	
117	028118113	CONTACT PLATE	1	
118	908005165	FILLISTER HEAD SCREW M5X16	1	
119	028151700	CARBURETOR CPL. INC. 120-142,144,145	1	
120	118151190	SCREW	1	
121	001151140	PUMP COVER	1	
122	021151240	ADJUSTING SCREW	1	
123	021151230	PRESSURE SPRING	1	
124	021151540	SET GASKET/DIAPHRAGM INC. 140	1	
125	021151180	SCREEN	1	
126	108151320	THROTTLE SHUTTER	1	
127	118151060	SCREW	1	
128	108151350	SHAFT CLIP	1	
129	118151020	SCREW	1	
130	001151255	CHOKE SHAFT	1	
131	001151320	THROTTLE SHAFT	1	
132	001151310	SPRING	1	
133	021151480	SPRING(L)	1	
134	021151530	SPRING(H)	1	
135	118151160	FRICTION SPRING	1	
136	118151170	FRICTION BALL	1	
137	118151060	SCREW	1	
138	001151350	CHOKE SHUTTER	1	
139	957150040	SET OF CONTROL PARTS	1	
140	021151540	SET GASKET/DIAPHRAGM INC. 124	1	
141	021151120	DIAPHRAGM COVER	1	
142	118151020	SCREW	1	
144	021151470	IDLING ADJUSTM. SCREW	1	
145	001151515	MAIN ADJUSTMENT SCREW	1	
146	952100633	CHAIN PROT.COVER 12"-16"	1	
147	528092646	SAW CHAIN 12"	1	
150	442030661	SPROCKET NOSE BAR 12"	1	
152	001131150	DECOMPRESSION VALVE	1	

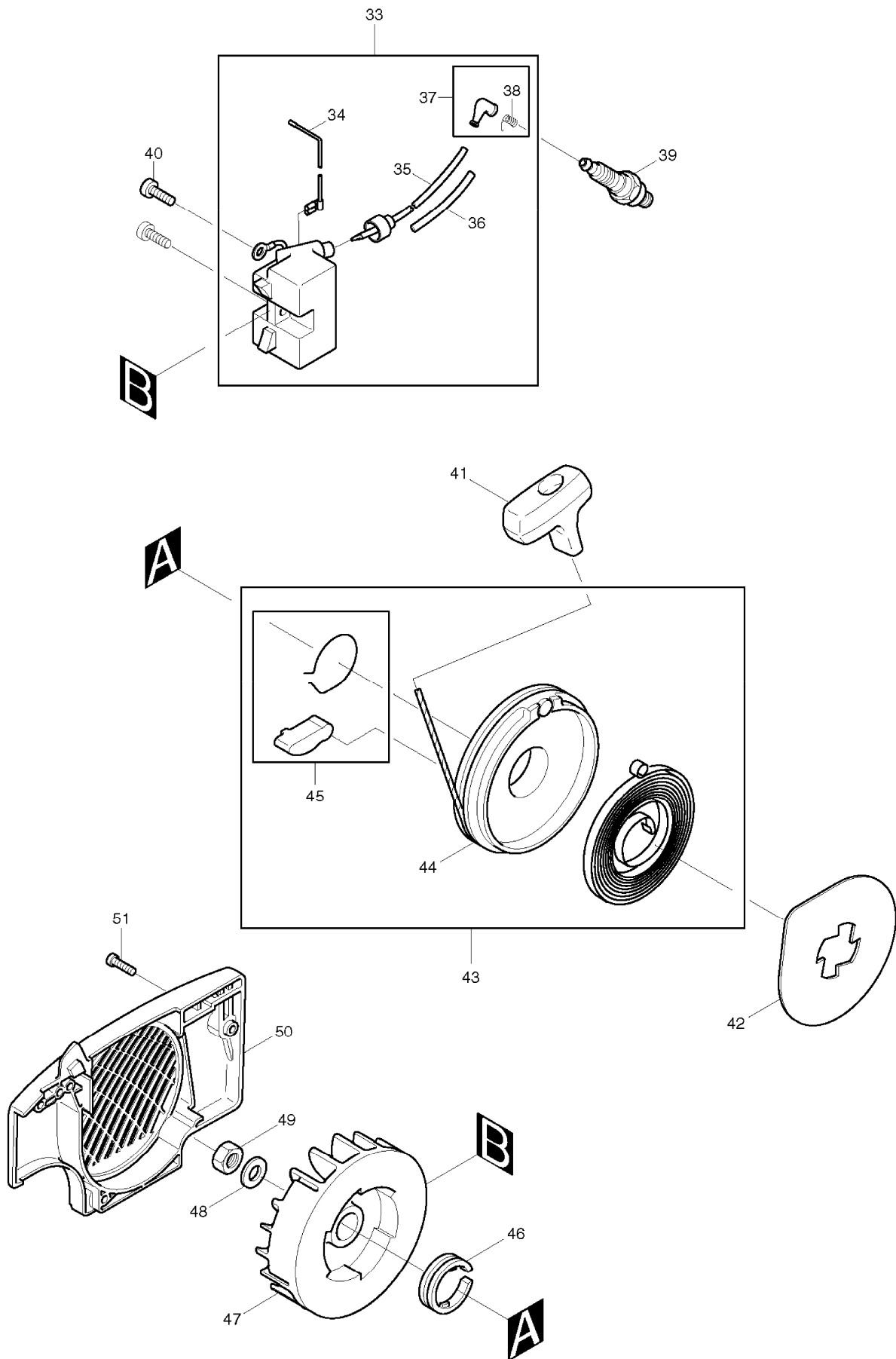
SERVICE DRAWING

MODEL NO. DCS401



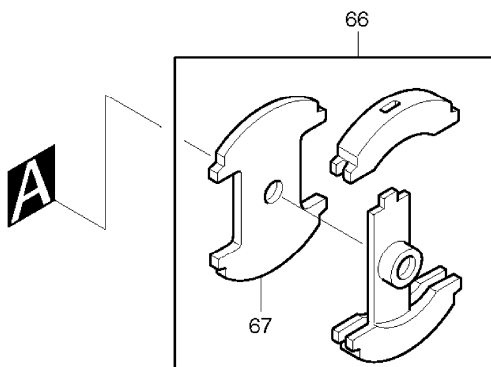
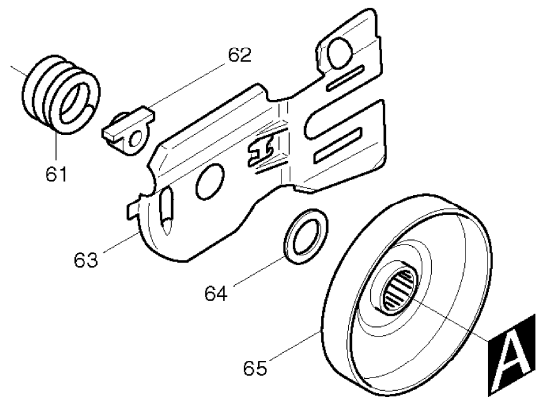
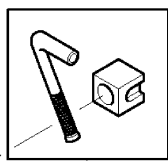
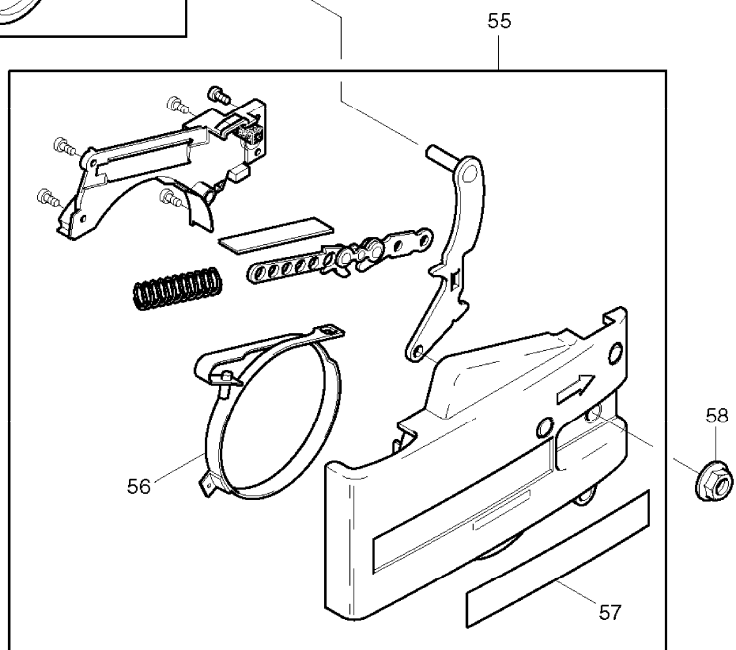
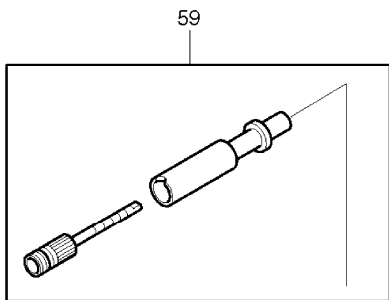
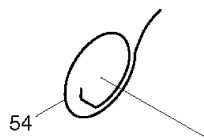
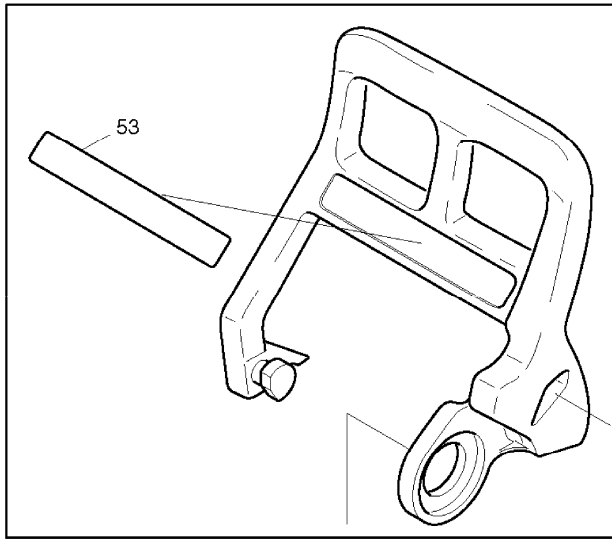
SERVICE DRAWING

MODEL NO. DCS401



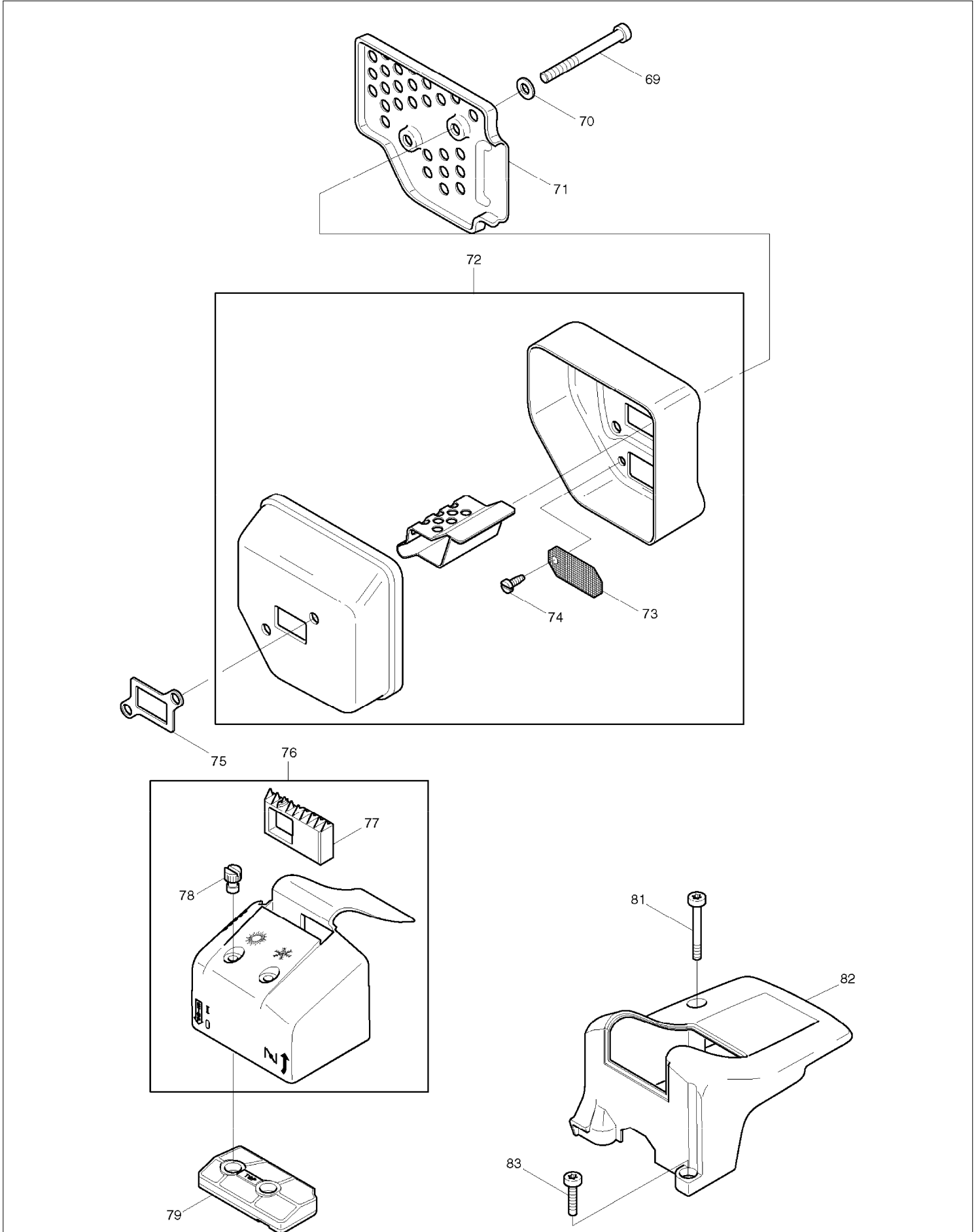
SERVICE DRAWING

MODEL NO. DCS401



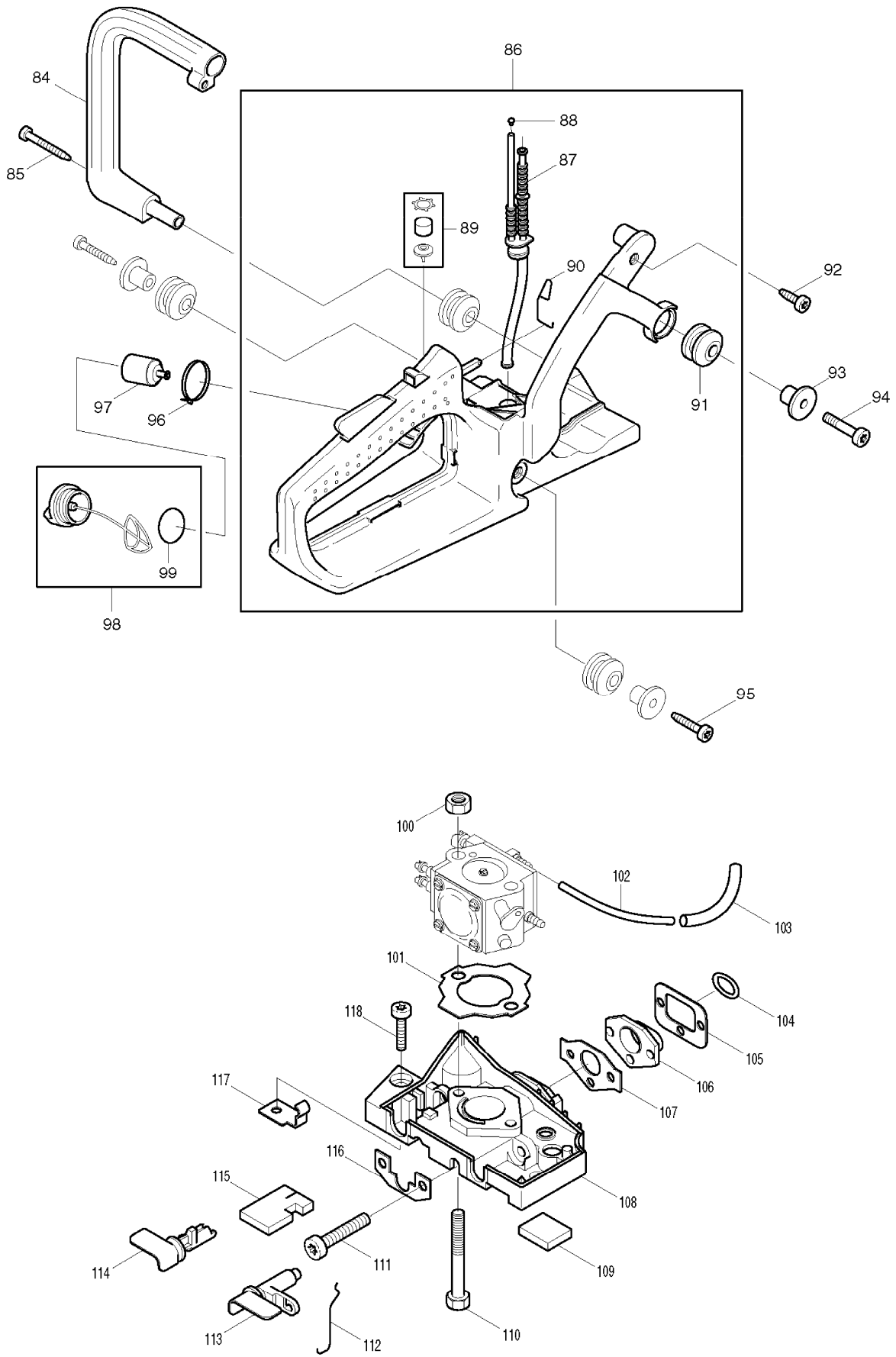
SERVICE DRAWING

MODEL NO. DCS401



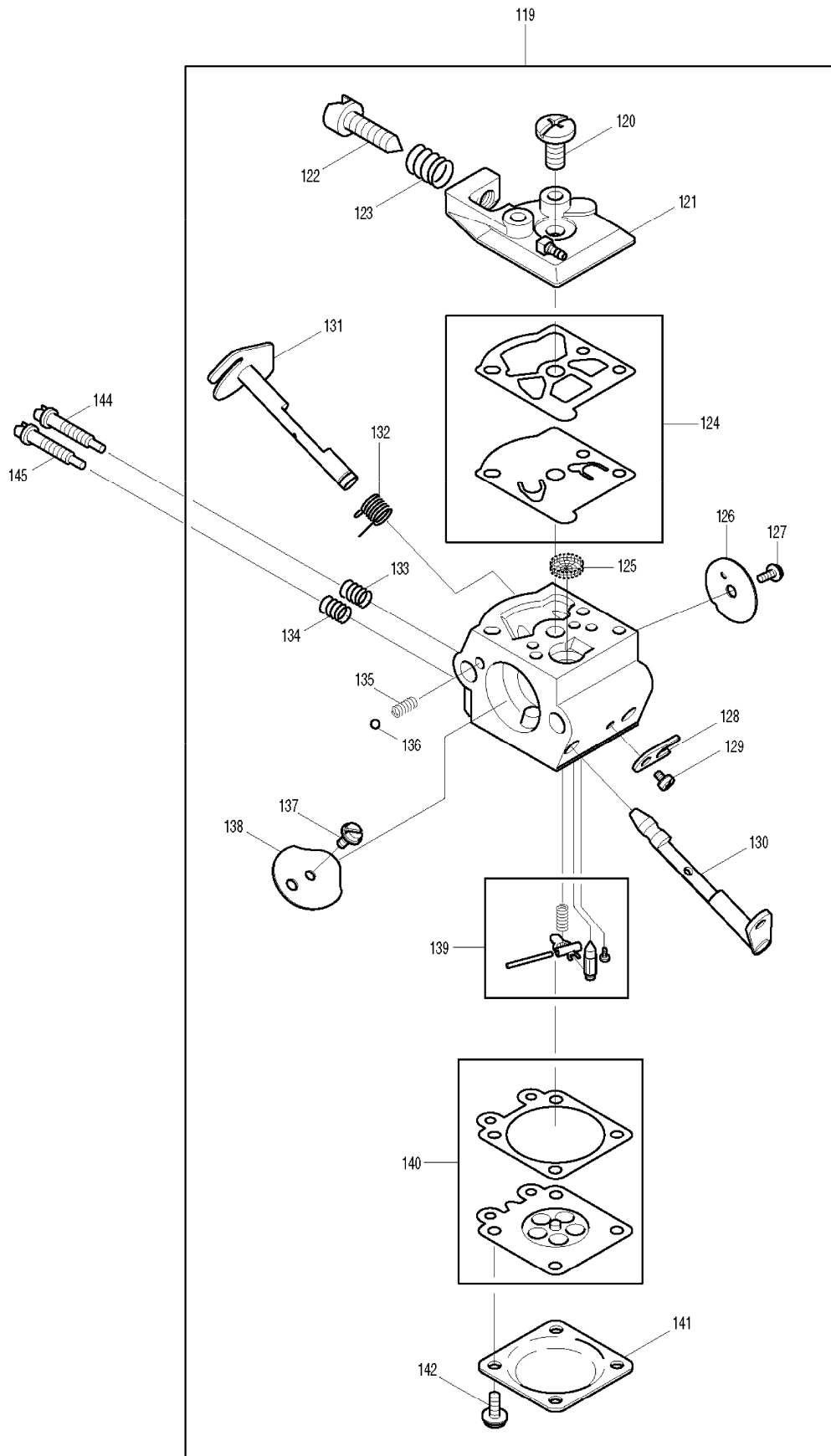
SERVICE DRAWING

MODEL NO. DCS401



SERVICE DRAWING

MODEL NO. DCS401



SERVICE DRAWING

MODEL NO. DCS401

