

SPARE PARTS LIST

MODEL NO. EG321A

ITEM	PART NO.	DESCRIPTION	QTY	NOTE
001	2781010261	CRANK CASE CP INC. 2-5	1	
002	0440250200	OIL SEAL 25DX38DX7B	1	
003	0600280021	BALL BEARING 62/28 28DX58DX16B	1	
004	2771501103	PIPE KNOCK 10.3DX8.5DX14L	2	
005	0440060020	OIL SEAL 6DX10DX2.5B	1	
006	0401140030	PLUG	1	
007	0211140020	GASKET	1	
008	2771100141	MAIN BEARING COVER C INC. 9,10	1	
009	0440250210	OIL SEAL 25DX41.25DX6B	1	
010	X600250140	BALL BEARING 6205	1	
011	27745004K1	GOVERNOR GEAR CP	1	
012	2774190201	GOVERNOR SLEEVE CP	1	
013	2776360130	OIL GAUGE INC. 14	2	
014	2776360108	GASKET	2	
015	0010408350	FLANGE BOLT	6	
016	2781300211	CYLINDER HEAD CP INC. 17,18,27	1	
017	0105060351	STUD M6X1.0X98L	2	
018	0105080290	MUFFLER STUD	2	
019	2771601001	STEM SEAL	1	
020	2771500143	GASKET(HEAD)	1	
021	2771501103	PIPE KNOCK 10.3DX8.5DX14L	2	
022	0110080240	FLANGE BOLT M8X1.25X16DX68L	4	
023	0110080310	FLANGE BOLT M8X33L	1	
024	2771550301	ROCKER COVER CP	1	
025	2771600113	GASKET(ROCKER COVER)T=0.7	1	
026	0110060020	FLANGE BOLT M6X1.0X14DX12L	4	
027	2371420203	VALVE GUIDE (OVERSIZE)	2	
028	2779900157	GASKET SET INC. 7,14,20,25,66,123,124	1	
029	2782070131	CRANKSHAFT COMPLETE	1	
030	0323030010	WOODRUFF KEY	1	
031	2782250110	CONNECTING ROD ASSY INC. 32	1	
032	2772300103	CONNECTING ROD BOLT	2	
033	2772330113	PISTON PIN 16DX11DX48.5L	1	
034	0565160010	CLIP	2	
035	27723401J3	PISTON STD	1	
036	2772353107	PISTON RING SET STD OIL 3PCS.	1	
037	2783160161	CAM SHAFT CP INC. 38-41	1	
038	2773640113	RELEASE LEVER	1	
039	2773870323	RETURN SPRING	1	
040	2773860103	PIN(SPRING) 4DX8DX9L	1	
041	2773650103	CLIP 13.8DX20.3DX0.4T	1	
042	2773510101	PIN(CAM SHAFT)CP INC. 43,44	1	
043	2773510103	PIN(CAM SHAFT)9DX78.5L	1	
044	0240060010	O RING 5.8DX9.6D	1	
045	0110060010	FLANGE BOLT M6X1.0X14DX8L	1	
046	27733401H3	INTAKE VALVE	1	
047	27733501H3	EXHAUST VALVE 23.5DX5.5DX68.1L	1	
048	2793360103	VALVE SPING	2	
049	2693370103	SPRING RETAINER	2	
050	13210KA031	COLLET VALVE	4	
051	2773620100	LOCKER ARM(INTAKE) ASS'Y INC. 52,53	1	
052	0149050020	ADJUST SCREW M5X23	1	

SPARE PARTS LIST

MODEL NO. EG321A

ITEM	PART NO.	DESCRIPTION	QTY	NOTE
053	0170050030	NUT M5	1	
054	2773620200	ROCKER ARM(EXHAUST)ASS'Y INC. 55,56	1	
055	0149050020	ADJUST SCREW M5X23	1	
056	0170050030	NUT M5	1	
057	2773500401	PIN(ROCKER) CP INC. 58	1	
058	0031305000	CLIP	1	
059	27835602H1	TIMING CHAIN COMPLETE	1	
060	20A3691103	TENSIONER	1	
061	2773710103	SPRING(TENSIONER)	1	
062	2773690203	PIN(TENSIONER) 6DX13DX34L	1	
063	20A3691303	CHAIN GUIDE	1	
064	2773400101	EXHAUST PIPE COMPLETE INC. 65	1	
065	0105080290	MUFFLER STUD	2	
066	2773520113	GASKET(MUFFLER)	1	
067	0023808000	FLANGE NUT	2	
068	2773051101	MUFFLER CP	1	
069	2773470101	MUFFLER COVER CP	1	
070	2773910101	MUFFLER BRACKET 1 CP	1	
071	2773910201	MUFFLER BRACKET 2 CP	1	
072	2773520101	GASKET EXHAUST T=1.6 28DX52P	1	
073	0023808000	FLANGE NUT	2	
074	0110060010	FLANGE BOLT M6X1.0X14DX8L	4	
075	0011406160	BOLT & WASHER ASS'Y	6	
076	2776900203	SPONGE PROTECTOR	1	
077	0023806000	FLANGE NUT M6	2	
078	2773276208	BREATHER PIPE	1	
079	2773272230	AIR CLEANER ASSY INC. 80-84	1	
080	2773264328	COVER CP	1	
081	0732004430	LABEL(CHOKE)	1	
082	2773263208	BASE COMPLETE	1	
083	2773260408	PACKING	1	
084	2773266117	ELEMENT	1	
085	2773900111	BRACKET(AIR CLEANER) COMPLETE	1	
086	0010406200	FLANGE BOLT M6X20	1	
087	2774230140	GOVERNOR LEVER INC.088-090	1	
088	2774230143	GOVERNOR LEVER	1	
089	0011406250	BOLT & WASHER ASS'Y	1	
090	0186060020	NUT M6X1.0X4.9H	1	
091	2774220133	GOVERNOR SHAFT	1	
092	0031305000	CLIP	1	
093	2774270123	GOVERNOR ROD COMPLETE	1	
094	2774280123	ROD SPRING 7DX.5DX182L N=16	1	
095	2794250543	GOVERNOR SPRING	1	
096	2774650111	SPEED CONTROL COMPLETE	1	
097	0021706000	NUT M6	1	
098	0043106400	SCREW	1	
099	0110060020	FLANGE BOLT M6X1.0X14DX12L	2	
100	2785120501	BLOWER HOUSING CP	1	
101	KU31107001	FLOAT C/U CP4	1	
102	0150040090	TAPPING SCREW 4X12	2	
103	0110060020	FLANGE BOLT M6X1.0X14DX12L	4	
104	0732005470	LABEL(TRADE MARK)	1	
105	0130060281	BOLT AND WASHER AY	4	
106	2775271121	BAFFLE 1 CP	1	
107	0010406160	FLANGE BOLT	1	

SPARE PARTS LIST

MODEL NO. EG321A

ITEM	PART NO.	DESCRIPTION	QTY	NOTE
108	2775270203	BAFFLE 2(HEAD) COMPLETE	1	
109	0110060020	FLANGE BOLT M6X1.0X14DX12L	1	
110	2785500111	DUCT (CASE) CP	1	
111	0110060020	FLANGE BOLT M6X1.0X14DX12L	3	
112	2785030130	RECOIL STARTER AY	1	
		INC. 113-121		
113	2265071608	SPIRAL SPRING	1	
114	2775012108	REEL	1	
115	2815032508	RATCHET	1	
116	2815033008	FRICTION SPRING	1	
117	2815035108	CENTER SCREW	1	
118	2815034008	FRICTION PLATE	1	
119	2775011008	STARTER ROPE	1	
120	2815030018	STARTER KNOB	1	
121	2775014508	STARTER PULLEY	1	
122	20A3290201	INSULATOR COMPLETE	1	
		INC. 123-124		
123	20A3590203	GASKET 1(INSULATOR)	1	
124	20A3590303	GASKET 2(INSULATOR)	1	
125	2786231430	CARBURETOR AY	1	
		INC. 126-153		
126	2776253508	THROTTLE VALVE #160	1	
127	1066241008	AIR JET(PILOT)	1	
128	2776252708	VALVE CHOKE	1	
129	1066241108	AIR JET	1	
130	2786242008	PILOT JET	1	
131	2776253118	THROTTLE SHAFT-A	1	
132	2776252208	CHOKE LEVER	1	
133	2786244008	MAIN NOZZLE	1	
134	2266250608	FLOAT ASS'Y	1	
135	2776250608	FLOAT BODY	1	
136	2776240308	MAIN JET	1	
137	2146245008	PACKING	1	
138	2276245108	BOLT	1	
139	2266270118	CLIP	1	
140	2776251508	PIN	1	
141	2146254008	FLOAT CHAMBER PACKING	1	
142	2776250008	NEEDLE	1	
143	2466239008	SEAL	1	
144	2366268008	SEAL	1	
145	2776236008	BOLT	1	
146	2366254108	PACKING	1	
147	2776257028	RING	1	
148	2776257108	RING	1	
149	2096235108	SCREW ASS'Y	1	
150	2376245108	SCREW	2	
151	2836235708	SPRING	1	
152	1066255608	SCREW	1	
153	2776255308	NUT	1	
154	2787924021	FLYWHEEL CP	1	
155	2777943111	IGNITION COIL COMPLETE	1	
156	X655000270	SPARK PLUG CAP	1	
157	27854111H3	COOLING BLOWER	1	
158	0011406250	BOLT & WASHER ASS'Y	2	
159	0180140020	FLANGE NUT M14X1.5X28DX12H	1	
160	0650140150	SPARK PLUG (BR6HS)	1	
161	27773102H1	WIRE 2 COMPLETE	1	
162	0569000020	PURSE LOCK ASS'Y	1	
163	2777630121	OIL SENSOR CP	1	
164	0011406160	BOLT & WASHER ASS'Y	2	
165	36B2000108	STATOR CP	1	

SPARE PARTS LIST

MODEL NO. EG321A

ITEM	PART NO.	DESCRIPTION	QTY	NOTE
166	36B2010108	ROTOR CP	1	
167	36B2020108	AVR CP	1	
168	36A2030008	BRUSH CP	1	
169	36A2200008	GEN BRACKET 1	1	
170	36A2210008	GEN BRACKET N	1	
171	36A2220008	GEN BRACKET 2	1	
172	36A2300008	BRACKET COVER	1	
173	36A2500008	BUSHING	1	
174	36B2100008	STATOR BOLT	3	
175	36A8000008	FLANGE BOLT	4	
176	36A8000108	FLANGE BOLT	2	
177	36A8010008	SCREW & WASHER AY	1	
178	36A8000208	FLANGE BOLT	4	
179	36A2500108	DIODE CP	1	
180	36A8010108	SCREW & WASHER AY	1	
181	36A2500208	TUBE	1	
182	36A2500308	GROMMET	1	
183	36A7000008	CONNECTOR(6P)	1	
184	36A7000208	CONNECTOR(2P)	1	
185	36A7010108	RETAINER(2P)	1	
186	36A7010008	RETAINER(3P)	2	
187	36A7100008	WIRE(GREEN)	1	
188	36A7100108	WIRE(WHITE)	1	
189	36A8020008	SCREW	4	
190	36B2110008	ROTOR BOLT	1	
191	36A2500408	SPONGE(FILTER)	1	
192	0732005470	LABEL(TRADE MARK)	1	
193	36B3000008	PIPE FRAME CP	1	
194	36A4000108	CONTROL BOX AY	1	
195	36A8010408	SCREW & WASHER AY	4	
196	36A8010508	SCREW & WASHER AY	4	
197	36A8100208	FLANGE NUT	8	
198	36A8000308	FLANGE BOLT	4	
199	36A3100008	MOUNT CP	4	
200	36A8000408	FLANGE BOLT	1	
201	36A8200108	LOCK WASHER	1	
202	36A2500508	SPONGE(GEN)	2	
203	36A3500008	SPONGE(TANK)	1	
204	36A3500108	SPONGE(PANEL)	1	
205	36A7100708	WIRE(GREEN/YELLOW)	1	
206	36B9100208	LABEL(SPEC)	1	
207	36A9800308	LABEL(HOT & GAS)	1	
208	36A4100108	CONTROL PANEL CP	1	
209	36A4900008	SWITCH(ENGINE)	1	
210	36A4700108	AC CONCENT (GER)	2	
211	36B4800008	CIRCUIT BREAKER(12A)	1	
212	36A4900108	VOLT METER	1	
213	36A4710108	DC CONCENT	1	
214	36A4800108	CIRCUIT BREAKER(10A)	1	
215	36A8010208	SCREW & WASHER AY	1	
216	36A8200008	LOCK WASHER	1	
217	36A8100008	FLANGE NUT	1	
218	36A8210008	CAP WASHER	1	
219	36A8220008	WASHER	1	
220	36A8230008	SPRING WASHER	1	
221	36A8110008	WING NUT	1	
222	36A7000308	CONNECTOR(2P)	1	
223	36A7000108	CONNECTOR(6P)	1	
224	36A7010108	RETAINER(2P)	1	
225	36A7010008	RETAINER(3P)	2	
226	36A8010308	SCREW & WASHER AY	2	

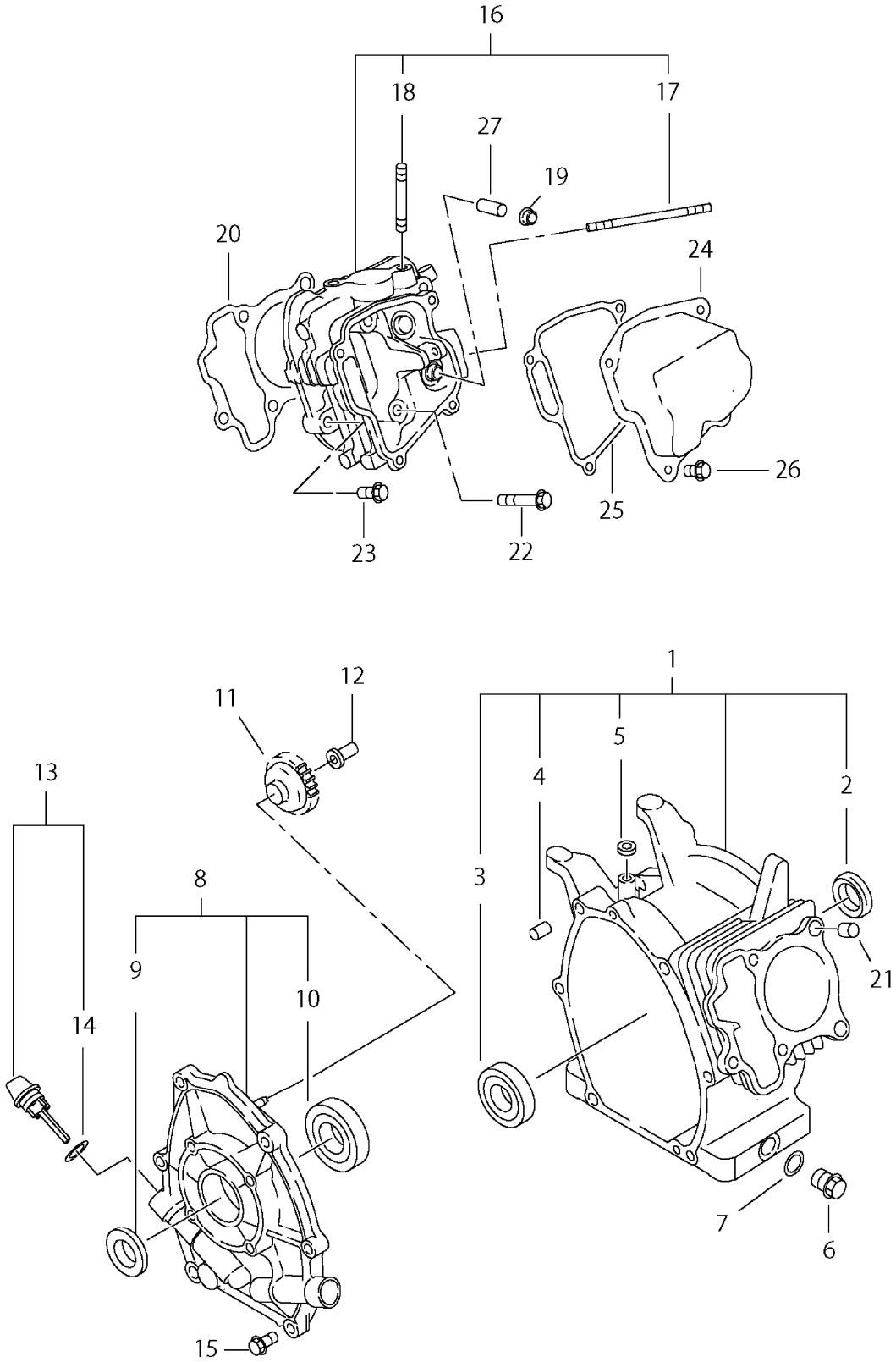
SPARE PARTS LIST

MODEL NO. EG321A

ITEM	PART NO.	DESCRIPTION	QTY	NOTE
227	36A8020108	SCREW	8	
228	36A8100108	FLANGE NUT	8	
229	36A4990008	GROMMET	1	
230	36A7100208	WIRE(WHITE)	1	
231	36A7100308	WIRE(WHITE)	1	
232	36A7100408	WIRE(BLACK)	1	
233	36A7100508	WIRE(GREEN)	1	
234	36A7100608	WIRE(BLACK)	1	
235	36A7100808	WIRE(GRAY)	1	
236	36A7100908	WIRE(RED)	1	
237	36A7101008	WIRE(RED)	1	
238	36A7101108	WIRE(GREEN)	1	
239	36A7101208	WIRE(BLUE)	1	
240	36B9000208	LABEL(TRADE MARK)	1	
241	36A9800408	LABEL(ELEC.SHOCK)	1	
242	2706172201	FUEL TANK CP	1	
243	0430590011	FUEL TANK CAP, COMPLETE	1	
244	0641540011	FUEL FILTER	1	
245	0648001800	FUEL GAUGE CP	1	
246	0145050040	SCREW	2	
247	0110060220	FLANGE BOLT	4	
248	3913900013	RUBBER (TANK)	4	
249	0642010001	FUEL STRAINER ASS'Y INC. 250-256	1	
250	0642001420	FILTER	1	
251	0642001430	PACKING	1	
252	0642001410	CUP	1	
253	0642010030	LOCK NUT	1	
254	0642000330	O-RING	2	
255	0642002790	LOCK BOLT	1	
256	0642003230	SPRING	1	
257	2676261201	FUEL PIPE COMPLETE INC. 258	1	
258	0561110020	HOSE CLAMP 11D	2	
259	36A6000108	CORRUGATED TUBE(100)	1	
260	36A9800108	LABEL(FUEL COCK)	1	
261	36A9800208	LABEL(SYMBOL-TANK)	1	
A01	27790301J0	ACCESSORY TOOL KIT	1	
A02	36A7900008	BATTERY CABLE	1	

SERVICE DRAWING

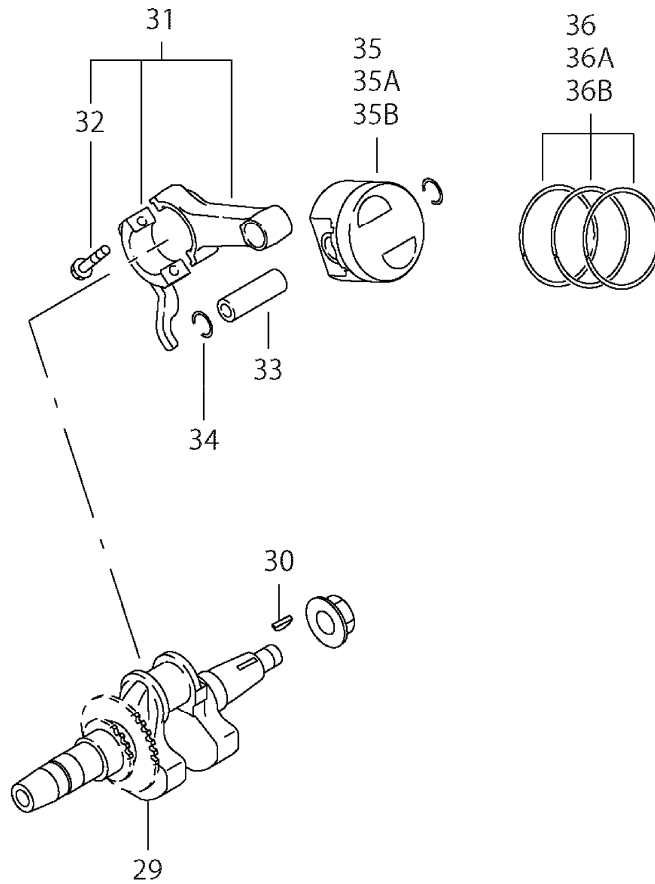
MODEL NO. EG321A



28 - GASKET SET

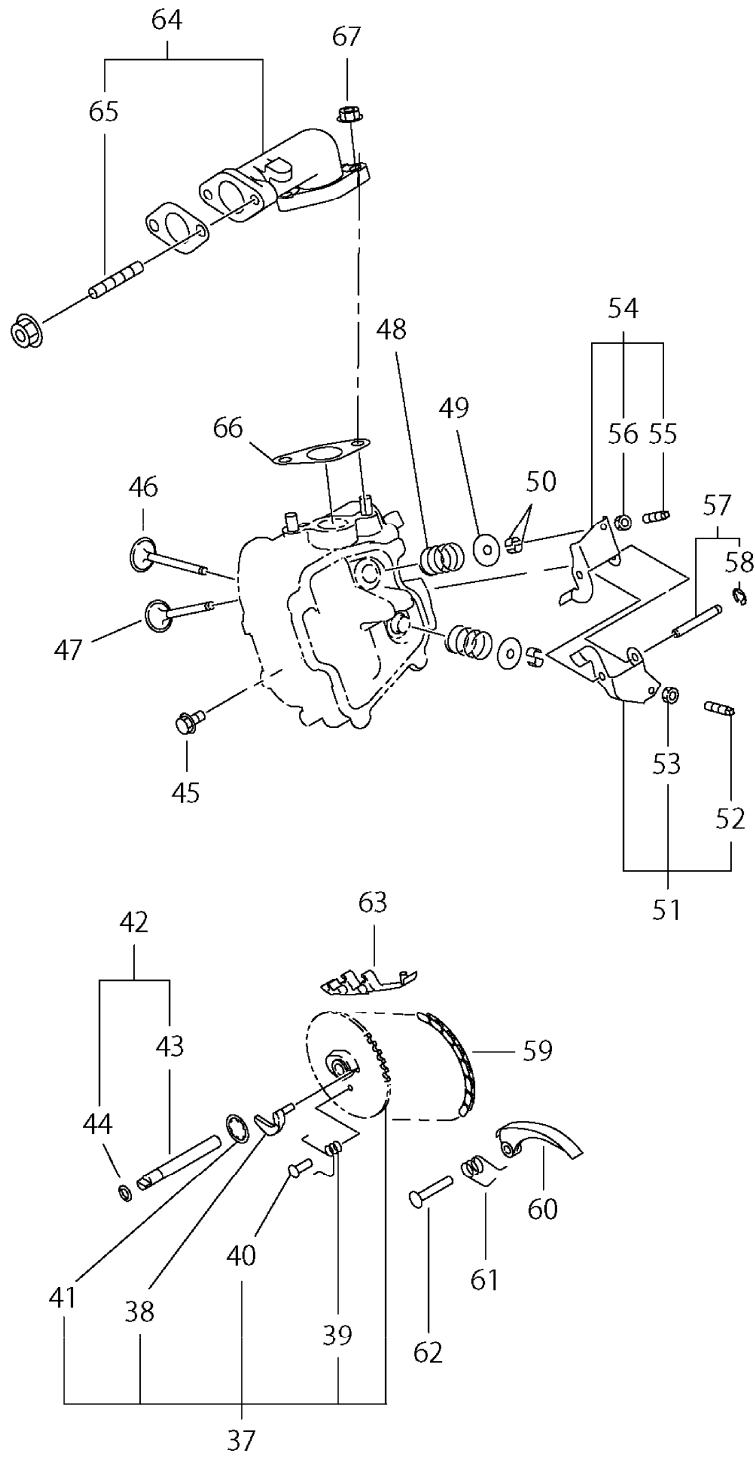
SERVICE DRAWING

MODEL NO. EG321A



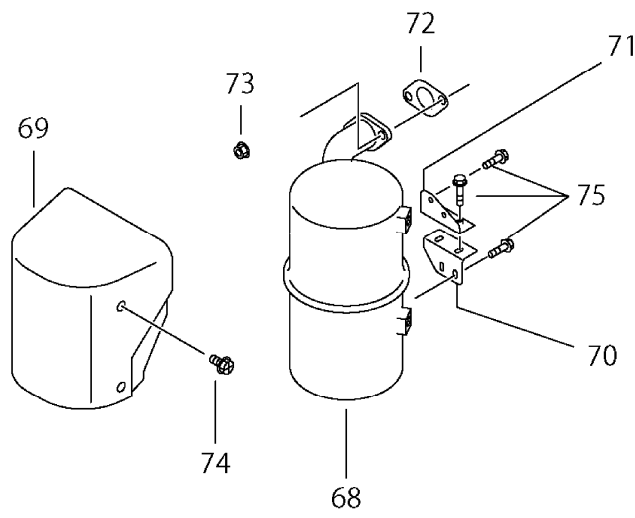
SERVICE DRAWING

MODEL NO. EG321A



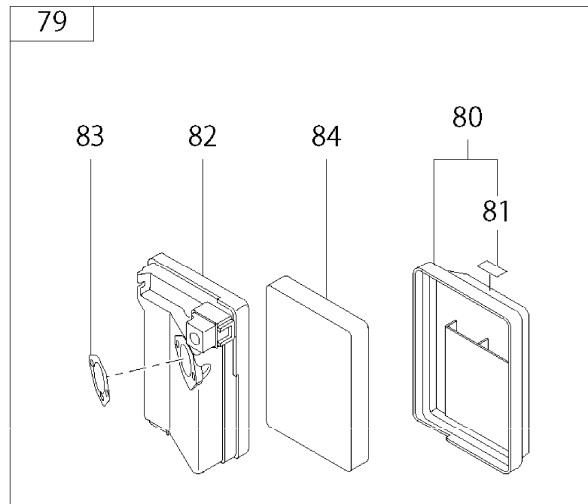
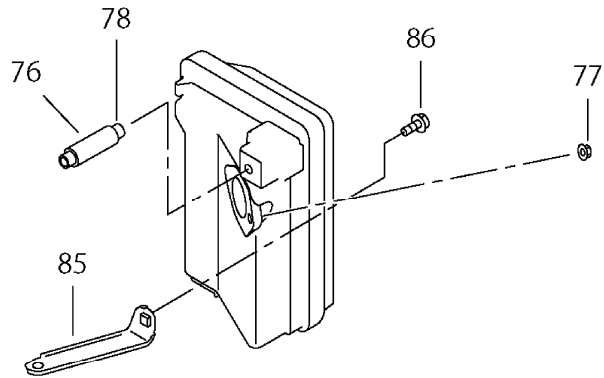
SERVICE DRAWING

MODEL NO. EG321A



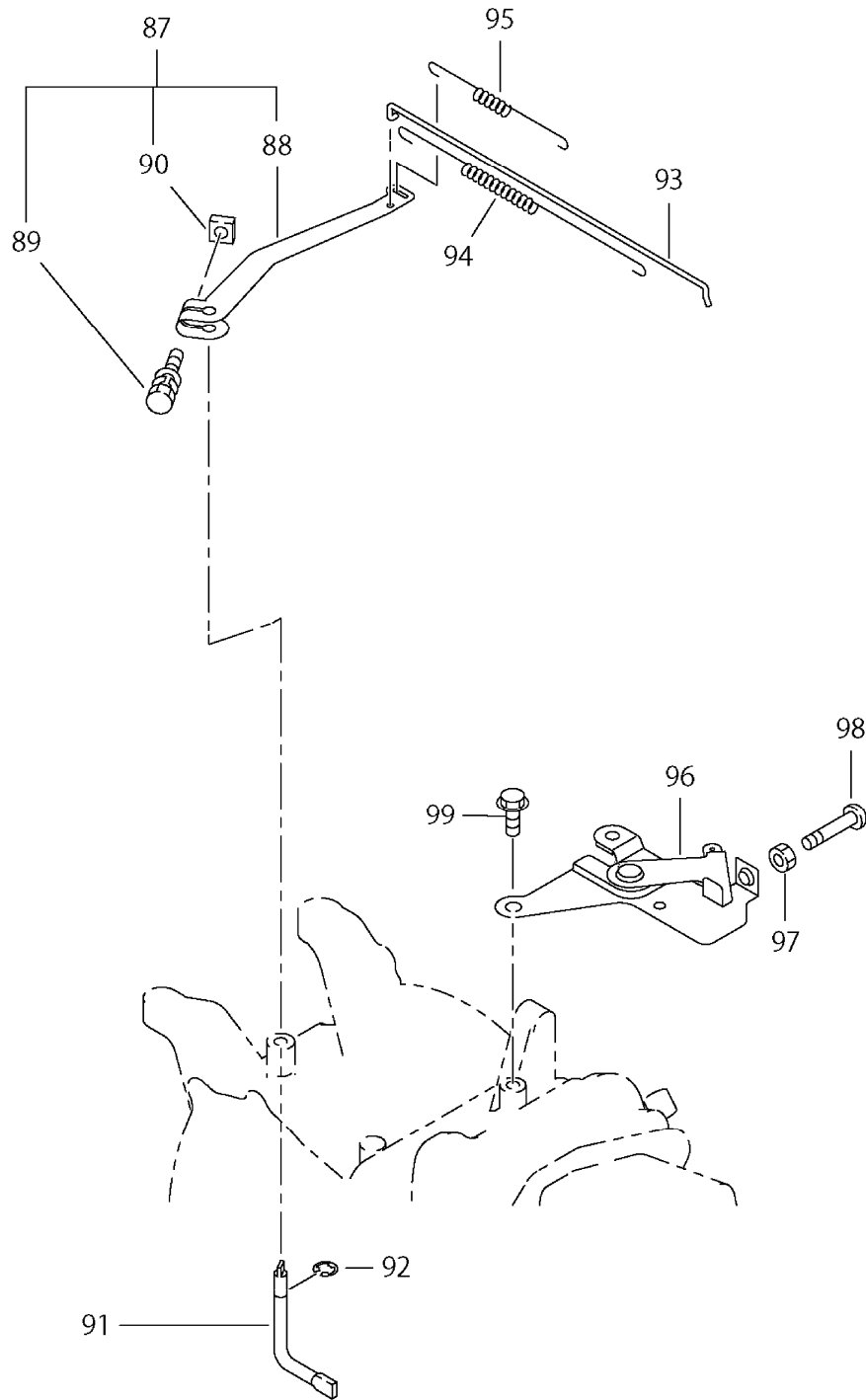
SERVICE DRAWING

MODEL NO. EG321A



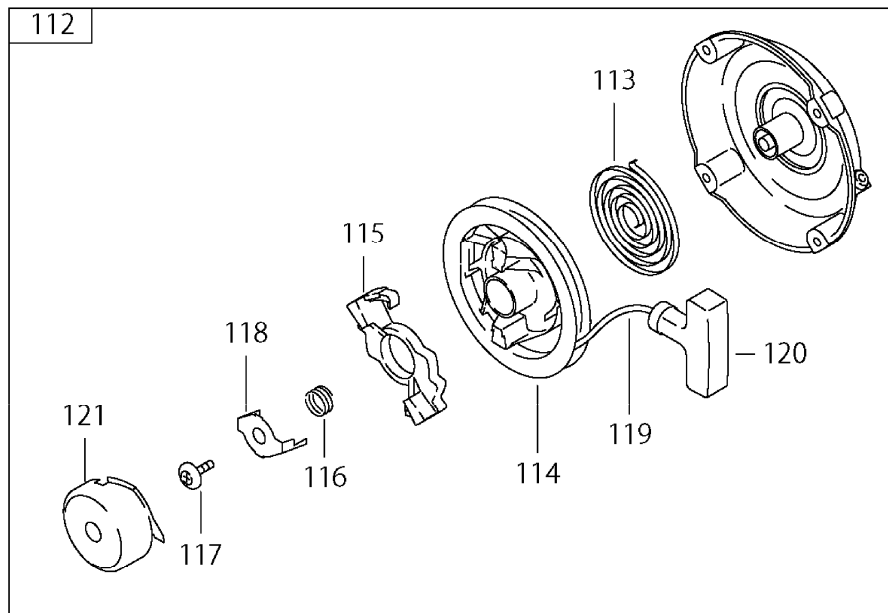
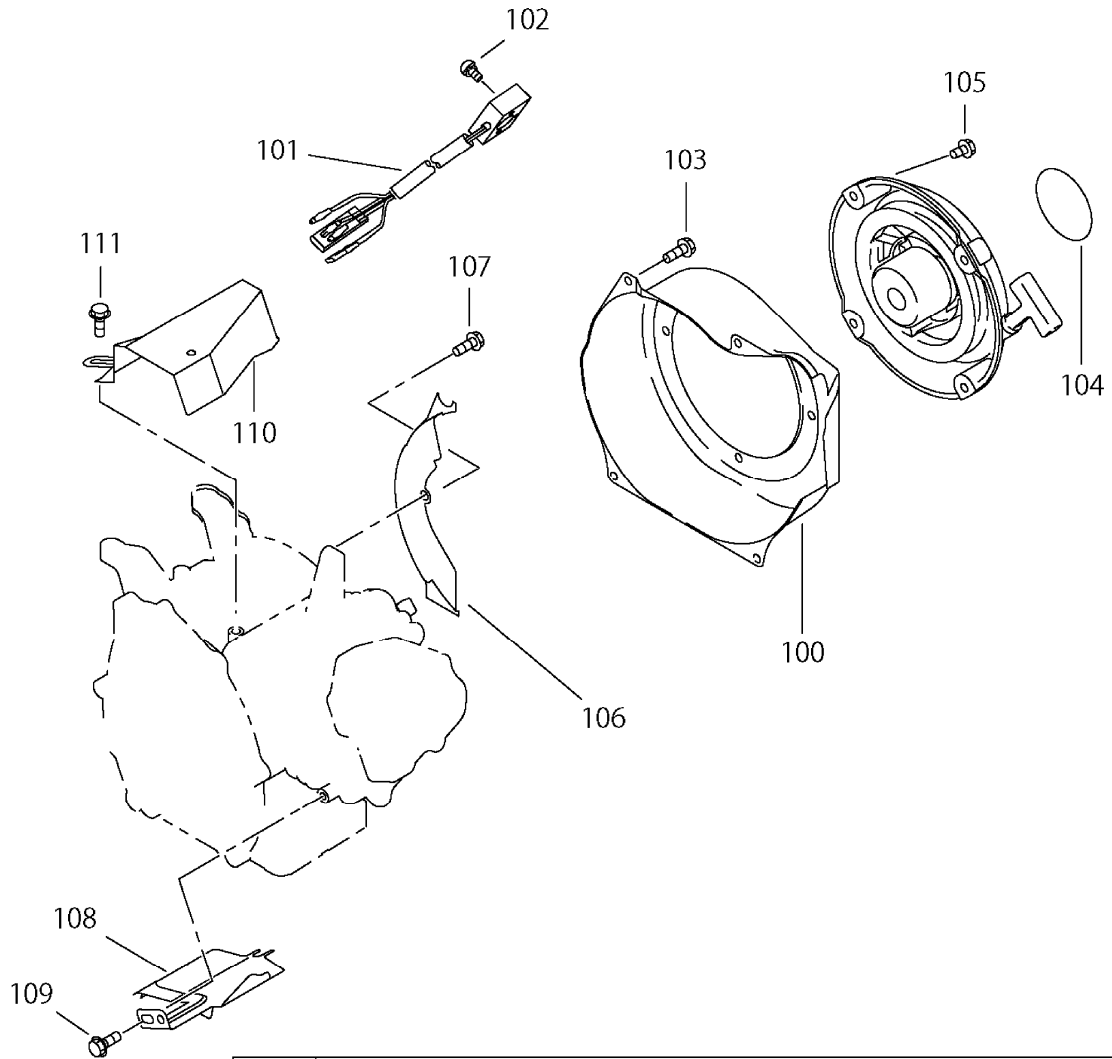
SERVICE DRAWING

MODEL NO. EG321A



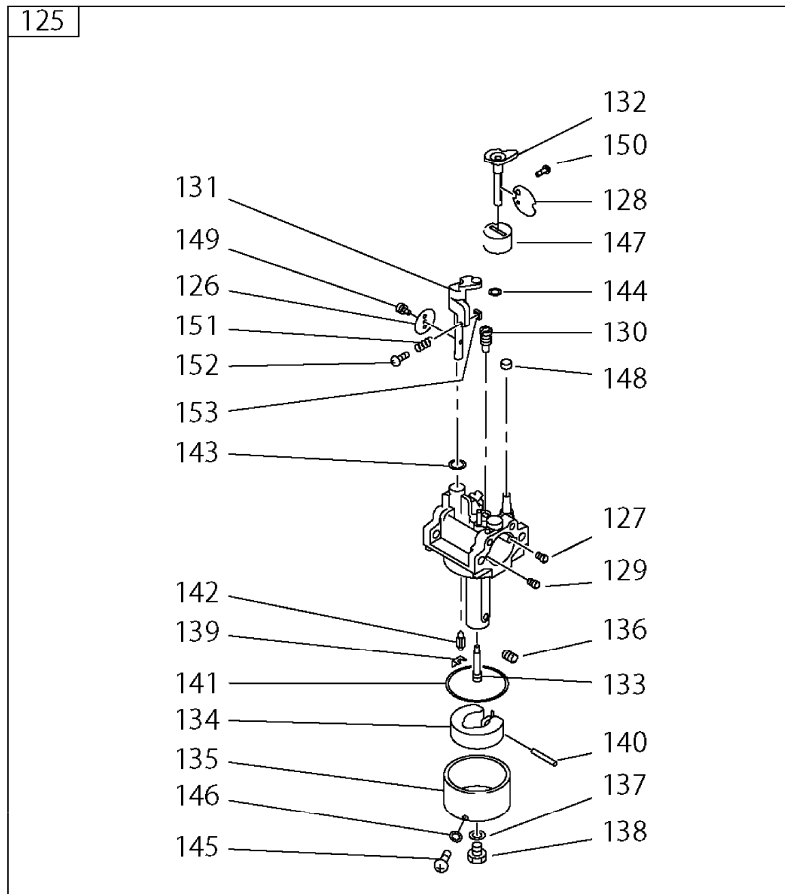
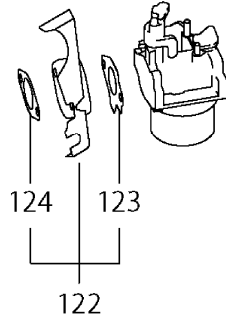
SERVICE DRAWING

MODEL NO. EG321A



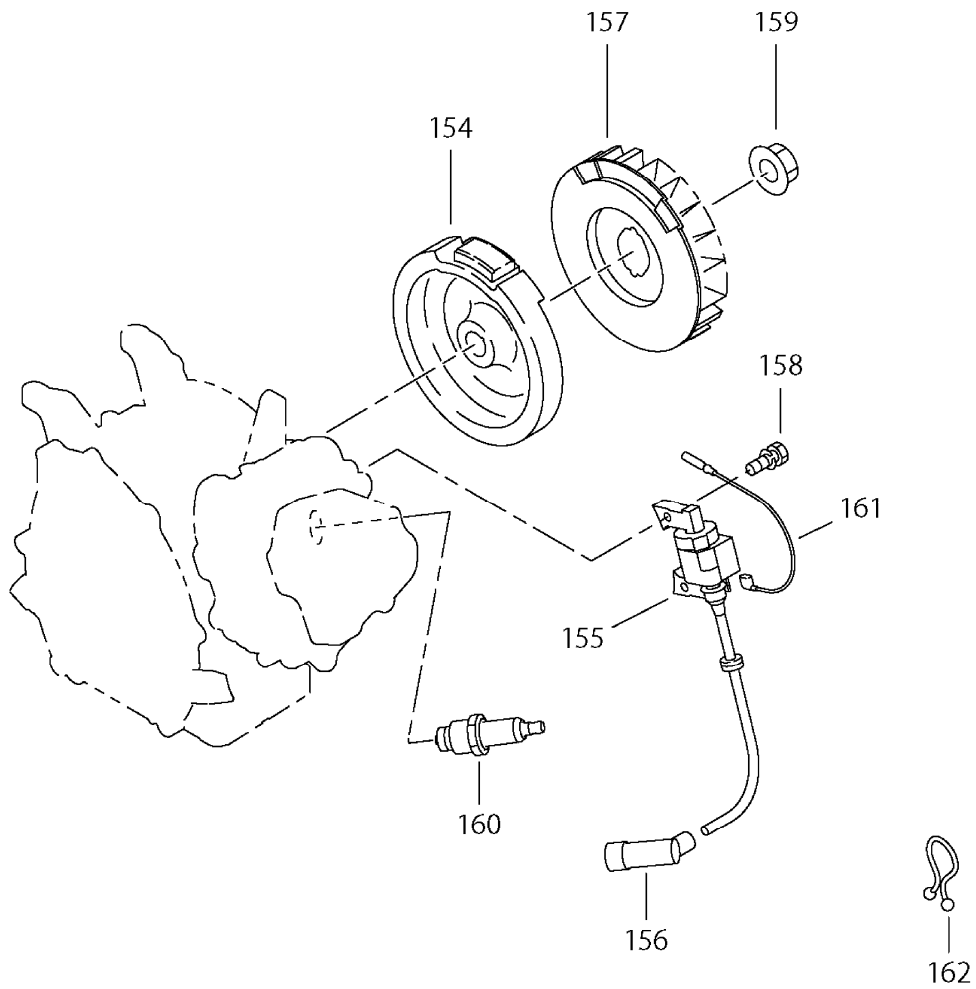
SERVICE DRAWING

MODEL NO. EG321A

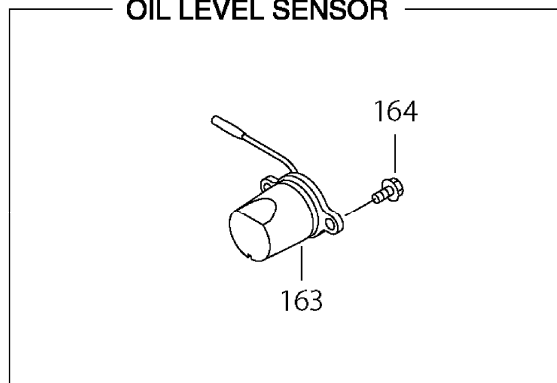


SERVICE DRAWING

MODEL NO. EG321A

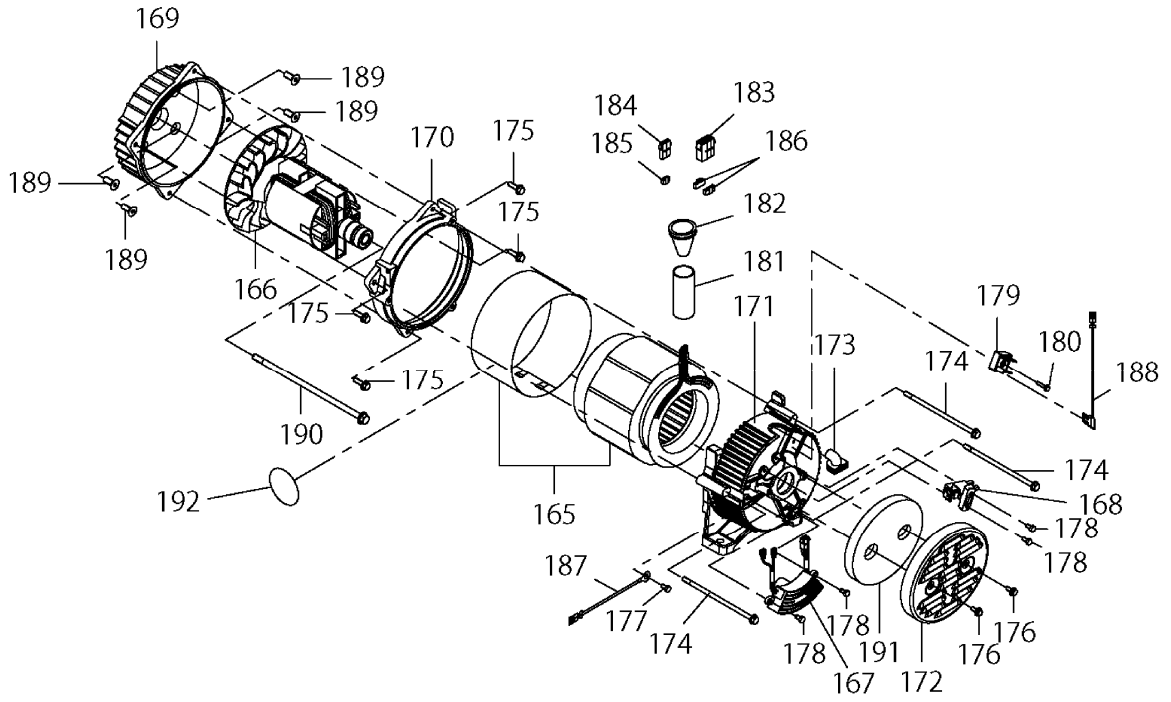


OIL LEVEL SENSOR



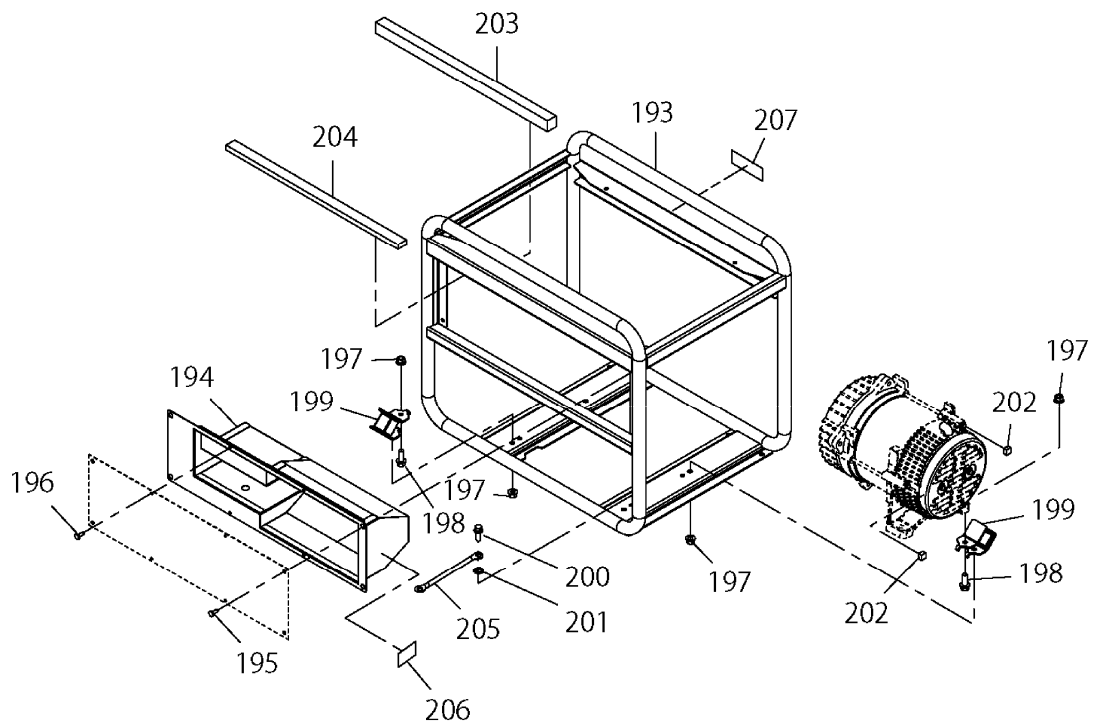
SERVICE DRAWING

MODEL NO. EG321A



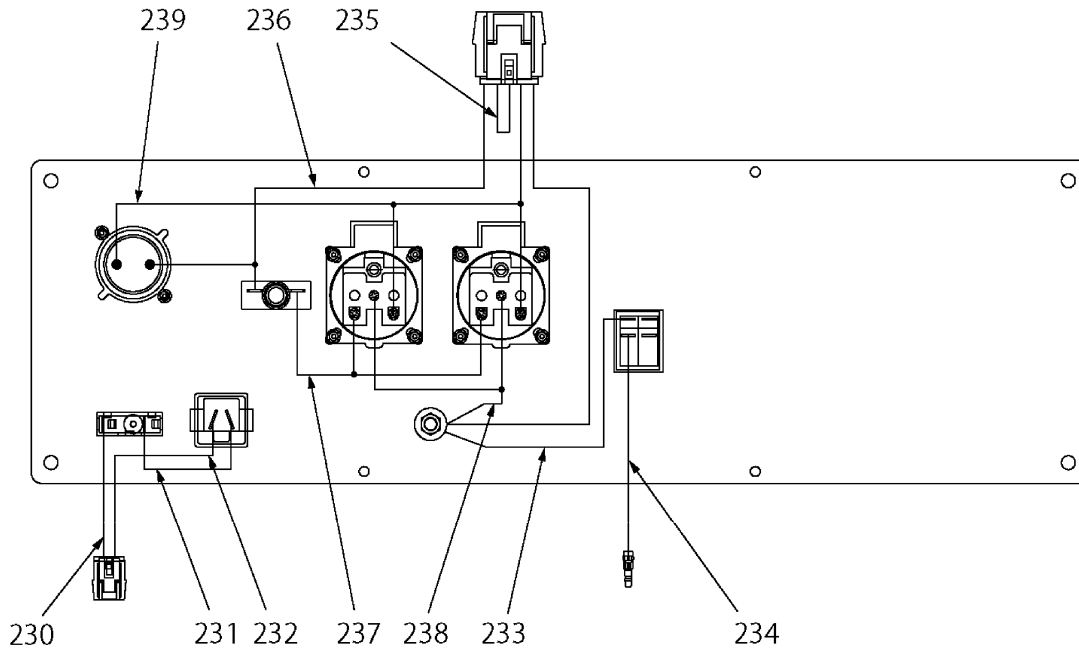
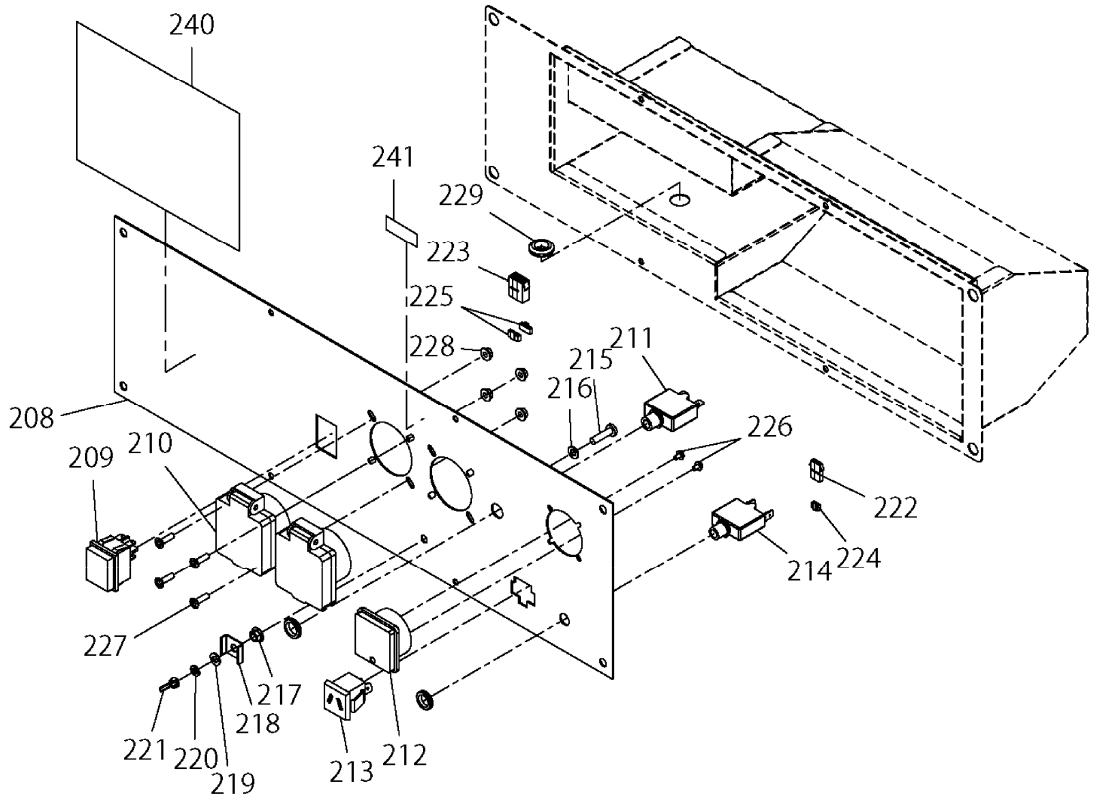
SERVICE DRAWING

MODEL NO. EG321A



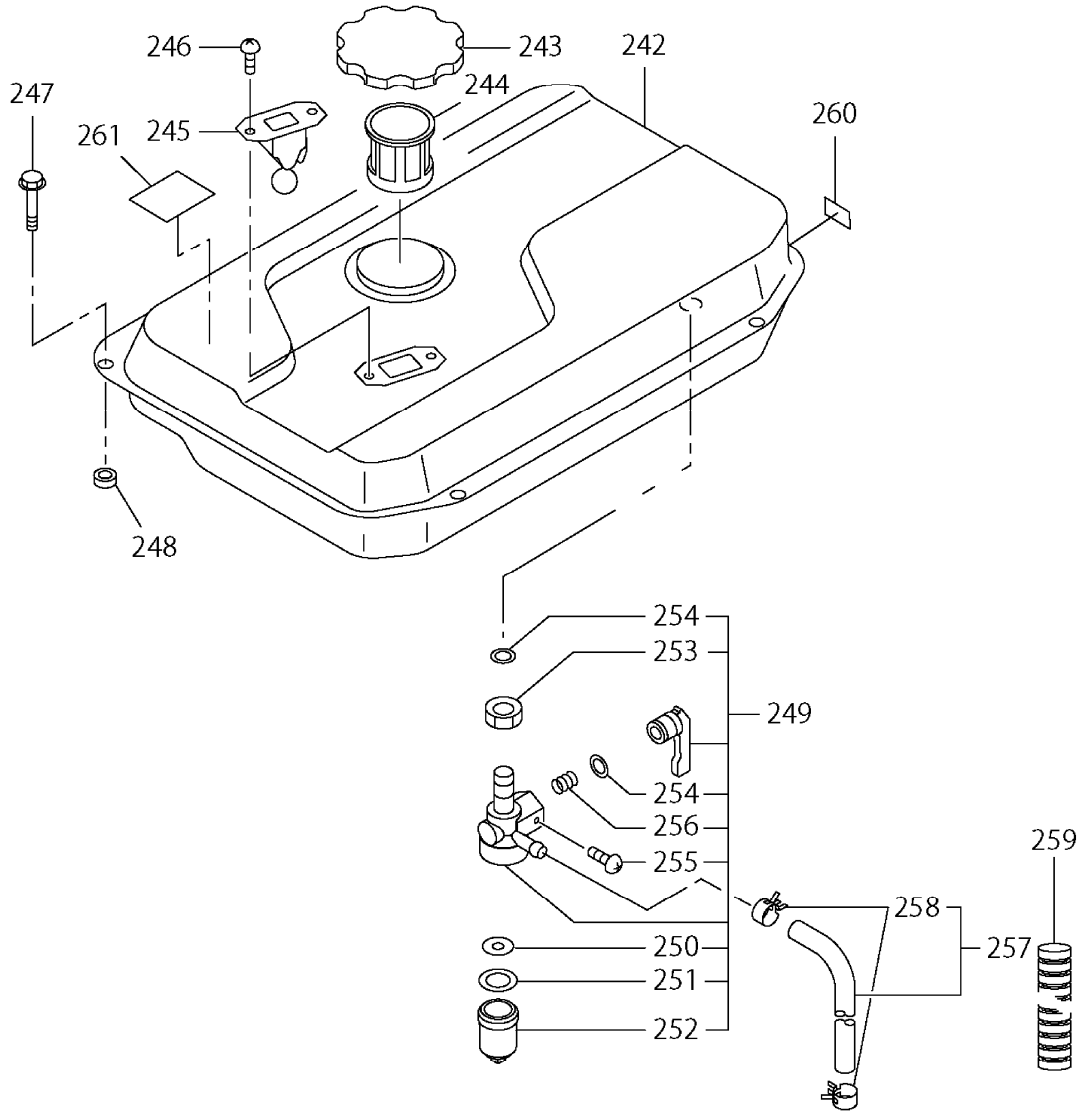
SERVICE DRAWING

MODEL NO. EG321A



SERVICE DRAWING

MODEL NO. EG321A



SERVICE DRAWING

MODEL NO. EG321A

