

SPARE PARTS LIST

MODEL NO. BTP130

ITEM	PART NO.	DESCRIPTION	QTY	NOTE
001	188653-6	HOUSING SET INC. 25	1	
002	862289-6	BTP130 NAME PLATE	1	
003	266130-9	TAPPING SCREW BIND PT 3X16	9	
004	125329-4	MODE CHANGE LEVER ASS'Y INC. 79,80	1	
005	419041-9	F/R CHANGE LEVER	1	
006	650568-2	SWITCH TG553FSB-2	1	
007	652045-0	+PAN HEAD SCREW M3.5X5	2	
008	643811-6	TERMINAL	1	
009	231951-8	RING SPRING 11	1	
010	267085-1	FLAT WASHER 12	1	
011	233005-7	COMPRESSION SPRING 13	1	
012	324420-7	SLEEVE	1	
013	424197-5	BUMPER	1	
014	216001-0	STEEL BALL 3.5	2	
015	125515-7	IMPACT ASS'Y INC. 9-14,31-73,76-78,81	1	
016	638396-5	YOKE UNIT	1	
017	619381-7	ARMATURE	1	
018	194427-5	CARBON BRUSH CB-440	1	
019	638857-5	BRUSH HOLDER COMPLETE	1	
020	263032-0	RUBBER PIN 4	2	
021	418981-8	REAR COVER	1	
022	266130-9	TAPPING SCREW BIND PT 3X16	2	
024	631631-0	LIGHT CIRCUIT	1	
025	188653-6	HOUSING SET INC. 1	1	
026	346317-0	HOOK	1	
027	251314-2	+ SCREW M4X12	1	
031	265178-8	PAN HEAD SCREW M4X16	2	
032	318011-4	HAMMER CASE	1	
033	211233-4	BALL BEARING 6802LLB	1	
034	962113-4	RETAINING RING R-24	1	
035	232227-6	LEAF SPRING	1	
036	419372-6	CHANGE RING	1	
037	345688-2	PLATE A	2	
038	419370-0	CHANGE CASE	1	
039	961085-0	RETAINING RING WR-15	1	
040	223161-1	CAM A	1	
041	223162-9	CAM B	1	
042	216001-0	STEEL BALL 3.5	16	
043	267318-4	FLAT WASHER 15	1	
044	324655-0	HAMMER CHANGE LEVER	1	
045	419374-2	PUSHER U	1	
046	419369-5	GEAR CASE	1	
047	419375-0	PUSHER L	1	
048	931102-0	HEX. NUT M4	2	
049	213166-9	O RING 12.5	1	
050	211233-4	BALL BEARING 6802LLB	1	
051	261130-4	NYLON WASHER 15	1	
052	324661-5	ANVIL M	1	
053	233285-5	COMPRESSION SPRING 4	1	
054	216009-4	STEEL BALL 7.1	1	
055	256495-7	SHOULDER PIN 3-6	2	
056	419376-8	GUIDE	2	
057	257276-2	RING 40	1	
058	324658-4	HAMMER	1	
059	216001-0	STEEL BALL 3.5	23	
060	267175-0	FLAT WASHER 24	1	
061	234080-6	COMPRESSION SPRING 24	1	

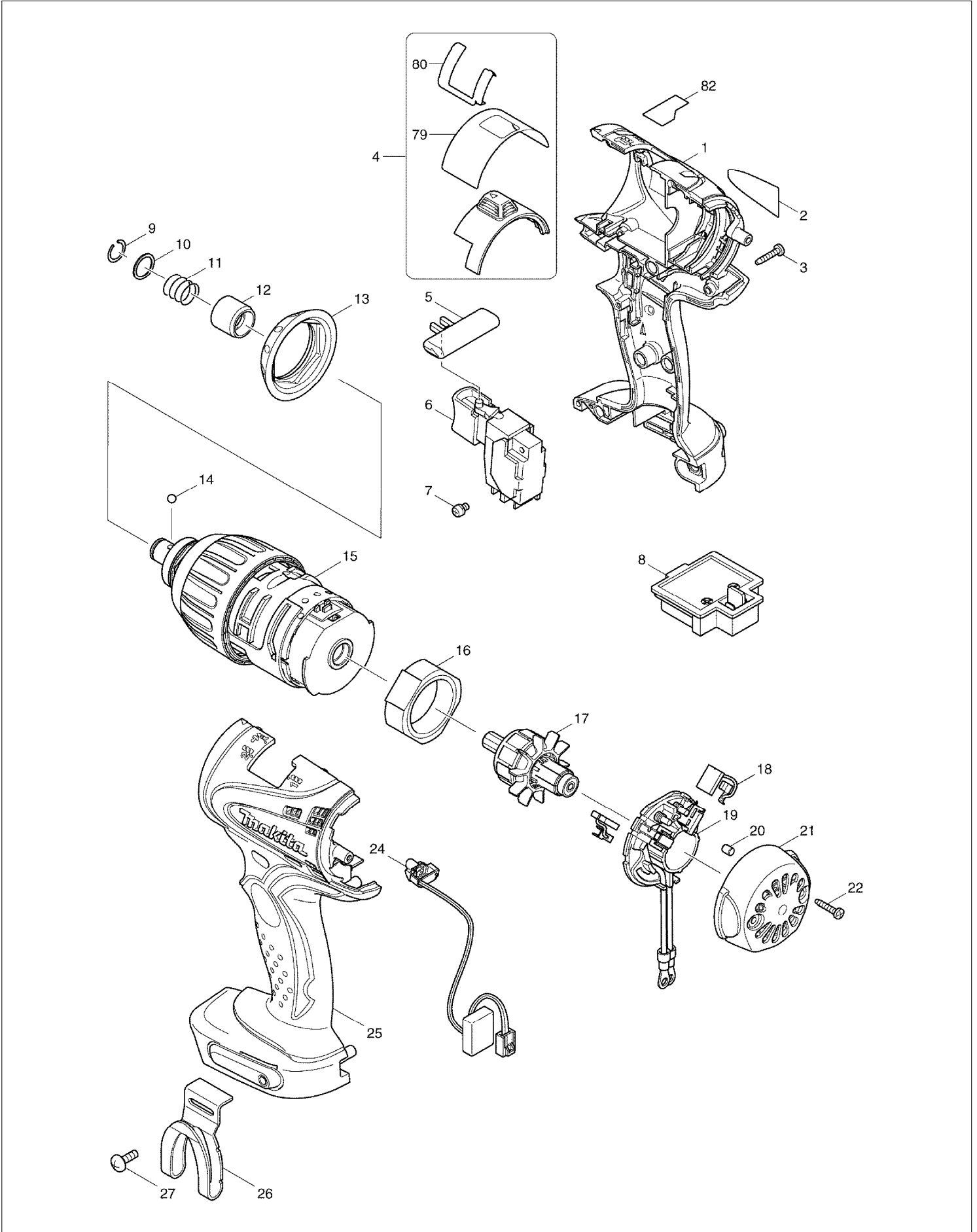
SPARE PARTS LIST

MODEL NO. BTP130

ITEM	PART NO.	DESCRIPTION	QTY	NOTE
062	267766-7	CUP WASHER 14	1	
063	216011-7	STEEL BALL 5.6	2	
064	154856-4	SPINDLE COMPLETE	1	
065	233462-9	COMPRESSION SPRING 41	1	
066	223163-7	CLUTCH CAM	1	
067	211375-4	BALL BEARING 6805LLB	1	
068	227162-1	INTERNAL GEAR 50	1	
069	324656-8	CLUTCH CHANGE LEVER	1	
070	227159-0	SPUR GEAR 22	3	
071	158553-4	SPUR GEAR 7-38 COMPLETE	1	
072	227160-5	SPUR GEAR 10	6	
073	267317-6	FLAT WASHER 25	1	
076	158106-9	SPEED CHANGE RING COMPLETE	1	
077	267799-2	WASHER 10	1	
078	419371-8	MOTOR BLACKET	1	
079	345689-0	PLATE B	1	
080	345690-5	PLATE C	1	
081	267337-0	FLAT WASHER 40	1	
A01	***DC18RC	DC18RC FAST CHARGER	1	
A02	194065-3	BATTERY BL1430 SET	2	
A03	141205-4	PLASTIC CARRYING CASE	1	
A04	804819-7	BTP130RFE PLASTIC CASE LABEL	1	
A05	D-23759	1/4" HEX BIT ASSORTMENT FOR	1	
A06	450128-8	BATTERY COVER	1	

SERVICE DRAWING

MODEL NO. BTP130



SERVICE DRAWING

MODEL NO. BTP130

