

SPARE PARTS LIST

MODEL NO. 5500S

ITEM	PART NO.	DESCRIPTION	QTY	NOTE
001	951172-3	SPRING PIN 5-32	1	
002	951172-3	SPRING PIN 5-32	1	
003	256414-3	PIN 16-29	1	
004	231743-5	TENSION SPRING 22	1	
005	256621-8	PIN 16	1	
006	256415-1	PIN 16-29	1	
007	273008-9	GRIP COVER 27	1	
008	164956-2	LEVER PIPE	1	
009	951172-3	SPRING PIN 5-32	1	
010	163304-2	LINK	1	
011	961056-7	RETAINING RING S-16	1	
012	256620-0	PIN 16	1	
013	951237-1	SPRING PIN 6-60	1	
014	311470-1	POLE SUPPORTER	1	
015	854666-6	NAME PLATE 5500S	1	
016	953106-2	RIVET 0-5	2	
017	261502-3	RUBBER WASHER 40	1	
018	150209-5	SAFETY COVER COMPLETE	1	
019	961102-6	RETAINING RING S-22	1	
020	321158-5	ARM HOLDER PIN	1	
021	251968-5	SET BOLT M8	1	
022	150416-0	KNOB 60 COMPLETE	1	
023	265224-7	HEX. BOLT M8X105	1	
024	311469-6	LEVER ARM L	1	
025	951160-0	SPRING PIN 5-18	2	
026	951172-3	SPRING PIN 5-32	1	
027	921472-5	HEX. BOLT M8X50	1	
028	252026-0	HEX. NUT M8-17	1	
029	911307-8	PAN HEAD SCREW M6X10	2	
030	263003-7	NYLON PIN 5	2	
031	154386-5	SLIDE FRAME INC. 20,26	1	
032	341523-2	REAR SAFETY COVER	1	
033	911211-1	PAN HEAD SCREW M5X12	2	
034	311468-8	LEVER ARM R	1	
035	331116-3	SLIDE POLE	1	
036	253065-3	FLAT WASHER 8	2	
037	921451-3	HEX. BOLT M8X30	2	
038	164959-6	SWITCH BOX	1	
039	652014-1	PAN HEAD SCREW M4X8	1	
040	651813-8	SWITCH V-152-3B5-MK	1	
041	645261-1	NOISE SUPPRESSOR	1	
042	687606-7	STRAIN RELIEF	1	
043	911126-2	PAN HEAD SCREW M4X16	2	
045	687006-1	STRAIN RELIEF	1	
046	682540-6	CORD GUARD 9.3-90	1	
047	342186-7	SWITCH PROTECTOR	2	
048	911943-0	PAN HEAD SCREW M6X90	1	
049	911943-0	PAN HEAD SCREW M6X90	1	
050	665231-4	POWER SUPPLY CORD 1.00-3-2.5	1	
051	251697-0	HEX. FLANGE HEAD BOLT M8X17	1	
052	253752-4	FLAT WASHER 8	1	
053	224161-4	OUTER FLANGE 40	1	
055	322581-7	FLANGE SHAFT	1	
056	254221-8	KEY 4	1	
057	231268-9	COMPRESSION SPRING 18	1	
058	253953-4	CUP WASHER 17	1	
059	165030-9	BLADE COVER (L)	1	
060	159289-8	OUTER GEAR HOUSING INC. 61,235,239	1	
061	263005-3	RUBBER PIN 6	1	

SPARE PARTS LIST

MODEL NO. 5500S

ITEM	PART NO.	DESCRIPTION	QTY	NOTE
062	211251-2	BALL BEARING 6003LLB	1	
063	221854-4	SPUR GEAR 32	1	
064	159290-3	INNER GEAR HOUSING INC. 232,233,237	1	
065	253952-6	CUP WASHER 8	1	
066	265412-6	HEX. BOLT M8X20	1	
067	221331-6	SPIRAL BEVEL GEAR 20	1	
068	211106-1	BALL BEARING 6201LLB	1	
069	961055-9	RETAINING RING S-15	1	
070	221855-2	SPUR GEAR 38	1	
071	321150-1	IDLE SPINDLE	1	
072	961060-6	RETAINING RING S-20	1	
073	221856-0	SPUR GEAR 42	1	
074	254001-2	WOODRUFF KEY 4	2	
075	321130-7	MAIN SPINDLE	1	
076	341554-1	CHIP PLATE L	1	
077	911356-5	PAN HEAD SCREW M6X35	3	
078	211106-1	BALL BEARING 6201LLB	1	
079	213102-5	DUST SEAL 12	1	
080	241098-0	FAN 86	1	
081	513348-6	ARMATURE ASS'Y 220V L INC. 78-80,82,84	1	
082	213051-6	DUST SEAL 10	1	
083	263002-9	RUBBER PIN 4	1	
084	211066-7	BALL BEARING 6200LLB	1	
085	523308-0	FIELD ASS'Y 220V	1	
086	681002-1	INSULATION WASHER	2	
087	643650-4	BRUSH HOLDER CAP 6.5-13.5	2	
088	181044-0	CARBON BRUSH CB-153	1	
089	687606-7	STRAIN RELIEF	1	
090	911121-2	PAN HEAD SCREW M4X14	2	
091	341512-7	REAR COVER	1	
092	911211-1	PAN HEAD SCREW M5X12	2	
093	251972-4	HEX. SOCKET HEAD BOLT M8X14	4	
094	265227-1	HEX. FLANGE HEAD BOLT M6X12	1	
095	792236-260	T.C.T. SAW BLADE 235 (RIP)	1	
096	156591-0	MOTOR HOUSING INC. 83	1	
097	224163-0	FLANGE 25	1	
098	224169-8	INNER FLANGE 51	1	
099	913217-5	SET SCREW M5X12	1	
100	315143-8	SUPPORTER L	1	
101	664187-8	POWER SUPPLY CORD #18-2-1.0	1	
102	911290-9	PAN HEAD SCREW M5X65	2	
103	211301-3	BALL BEARING 6004LLB	1	
104	157038-7	CENTER GEAR HOUSING INC. 240,241	1	
105	911356-5	PAN HEAD SCREW M6X35	3	
106	211206-7	BALL BEARING 6202LLB	1	
107	321154-3	IDLE SHAFT	1	
108	221664-9	HELICAL GEAR 80	1	
109	253771-0	FLAT WASHER 16	1	
110	911356-5	PAN HEAD SCREW M6X35	2	
111	157039-5	SIDE GEAR HOUSING INC. 243	1	
112	911341-8	PAN HEAD SCREW M6X25	4	
113	221665-7	HELICAL GEAR 91	1	
114	915406-8	BINDING HEAD SCREW M8X10	1	
115	211211-4	BALL BEARING 6302LLB	1	
116	221331-6	SPIRAL BEVEL GEAR 20	1	
117	321153-5	SAW BLADE SHAFT	1	

SPARE PARTS LIST

MODEL NO. 5500S

ITEM	PART NO.	DESCRIPTION	QTY	NOTE
118	165031-7	BLADE COVER (R)	1	
119	341555-9	CHIP PLATE R	1	
120	664186-0	POWER SUPPLY CORD #18-2-0.4	1	
121	513363-0	ARMATURE ASS'Y 220V R INC. 122,285-288	1	
122	241018-4	FAN 86	1	
123	792235-460	T.C.T. SAW BLADE 235 (RIP)	1	
124	315142-0	SUPPORTER R	1	
125	523313-7	FIELD ASS'Y 220V	1	
126	931401-0	HEX. NUT M8	2	
127	941201-0	FLAT WASHER 8	2	
128	310042-9	WISE SHOE L	1	
129	441053-4	WOOD PLATE	1	
130	912451-4	COUNTERSUNK HEAD SCREW M8X30	2	
131	322682-1	WISE SCREW	1	
133	310041-1	WISE SHOE R	1	
134	272210-1	LEVER 45	1	
135	231005-1	COMPRESSION SPRING 7	1	
136	921492-9	HEX. BOLT M8X70	1	
137	231297-2	COMPRESSION SPRING 9	1	
138	951216-9	SPRING PIN 6-28	1	
139	311838-1	VICE FRAME	1	
140	961065-6	STOP RING E-15	1	
141	924316-8	WING BOLT M6X15	1	
142	951163-4	SPRING PIN 5-20	1	
143	231005-1	COMPRESSION SPRING 7	1	
144	263003-7	NYLON PIN 5	1	
145	331118-9	SLIDE PIPE 390	2	
146	951154-5	SPRING PIN 5-14	2	
147	961012-7	STOP RING E-6	1	
148	271061-9	HANDLE 95	1	
149	271408-7	KNOB 20	1	
150	256634-9	PIN 8	1	
151	271610-2	KNOB 40	1	
152	951172-3	SPRING PIN 5-32	1	
153	311466-2	SUPPORTER	1	
154	321156-9	SCREW M14	1	
155	331119-7	BUSH	1	
156	941202-8	FLAT WASHER 8	1	
157	265312-0	HEX. BOLT M8X20	1	
158	921457-1	HEX. BOLT M8X35	1	
159	163131-7	FEED LEVER	1	
160	331163-4	BUSH	1	
161	321398-5	SLIDE POLE 250	2	
162	931401-0	HEX. NUT M8	2	
163	321155-1	ROLLER	2	
164	263006-1	NYLON PIN 6	1	
165	231071-8	COMPRESSION SPRING 9	1	
166	924436-8	WING BOLT M8X25	1	
167	922456-6	HEX. SOCKET HEAD BOLT M8X35	3	
169	941201-0	FLAT WASHER 8	3	
170	257577-8	SLEEVE 8	1	
171	961065-6	STOP RING E-15	2	
172	271057-0	HANDLE 230	1	
173	273420-3	GRIP 30	1	
174	251904-1	- BOLT M10	1	
175	922476-0	HEX. SOCKET HEAD BOLT M8X55	1	
176	251610-8	HEX. BOLT M6X40	1	
177	231486-9	COMPRESSION SPRING 41	2	
178	411661-5	BELLOWS	2	
179	331115-5	MAIN POLE	2	

SPARE PARTS LIST

MODEL NO. 5500S

ITEM	PART NO.	DESCRIPTION	QTY	NOTE
180	341536-3	STEEL PLATE	1	
181	911211-1	PAN HEAD SCREW M5X12	2	
183	951237-1	SPRING PIN 6-60	2	
184	311839-9	BASE	1	
185	321171-3	ROLLER SHAFT	1	
187	961015-1	STOP RING E-9	2	
188	311475-1	ROLLER 60	2	
189	914073-6	WOOD SCREW 5.1-50	2	
190	341548-6	LINK 100	2	
192	921572-1	HEX. BOLT M10X50	4	
193	441030-6	STABLE BASE	2	
194	221679-6	HELICAL GEAR 80	1	
195	221680-1	HELICAL GEAR 91	1	
196	251219-6	+ PAN HEAD SCREW M5	1	
197	253903-9	WAVE WASHER 6	1	
198	343711-7	WISE STOPPER	1	
199	343749-2	INDICATION PLATE	1	
200	816224-6	SCALE PLATE	1	
201	911213-7	PAN HEAD SCREW M5X12	1	
202	941151-9	FLAT WASHER 6	1	
203	931403-6	HEX. NUT M8	1	
204	322364-5	HOOK	2	
205	911213-7	PAN HEAD SCREW M5X12	2	
206	265370-6	HEX.BOLT M8X16	1	
208	251382-5	+ PAN HEAD SCREW M5	1	
209	942151-2	SPRING WASHER 6	1	
210	253878-2	FLAT WASHER 10	2	
211	931502-4	HEX. NUT M10	2	
212	259030-0	FASTEN NUT M10	4	
215	951237-1	SPRING PIN 6-60	1	
216	261502-3	RUBBER WASHER 40	1	
217	961102-6	RETAINING RING S-22	1	
218	321158-5	ARM HOLDER PIN	1	
219	251968-5	SET BOLT M8	1	
220	150416-0	KNOB 60 COMPLETE	1	
221	265224-7	HEX. BOLT M8X105	1	
222	951160-0	SPRING PIN 5-18	2	
223	951172-3	SPRING PIN 5-32	1	
224	921472-5	HEX. BOLT M8X50	1	
225	252026-0	HEX. NUT M8-17	1	
226	331116-3	SLIDE POLE	1	
227	331116-3	SLIDE POLE	1	
228	331116-3	SLIDE POLE	1	
229	253065-3	FLAT WASHER 8	2	
230	921451-3	HEX. BOLT M8X30	2	
231	211251-2	BALL BEARING 6003LLB	1	
232	263005-3	RUBBER PIN 6	1	
233	263005-3	RUBBER PIN 6	1	
234	211106-1	BALL BEARING 6201LLB	1	
235	263005-3	RUBBER PIN 6	1	
236	211251-2	BALL BEARING 6003LLB	1	
237	263005-3	RUBBER PIN 6	1	
238	211251-2	BALL BEARING 6003LLB	1	
239	263005-3	RUBBER PIN 6	1	
240	263005-3	RUBBER PIN 6	1	
241	263005-3	RUBBER PIN 6	1	
242	961055-9	RETAINING RING S-15	1	
243	263005-3	RUBBER PIN 6	1	
244	961055-9	RETAINING RING S-15	1	
245	254001-2	WOODRUFF KEY 4	3	
246	251697-0	HEX. FLANGE HEAD BOLT M8X17	1	

SPARE PARTS LIST

MODEL NO. 5500S

ITEM	PART NO.	DESCRIPTION	QTY	NOTE
247	253752-4	FLAT WASHER 8	1	
248	224161-4	OUTER FLANGE 40	1	
250	322581-7	FLANGE SHAFT	1	
251	254221-8	KEY 4	1	
252	231268-9	COMPRESSION SPRING 18	1	
253	911356-5	PAN HEAD SCREW M6X35	3	
254	253953-4	CUP WASHER 17	1	
255	159289-8	OUTER GEAR HOUSING INC. 256,272,273	1	
256	263005-3	RUBBER PIN 6	1	
257	211251-2	BALL BEARING 6003LLB	1	
258	221854-4	SPUR GEAR 32	1	
259	211251-2	BALL BEARING 6003LLB	1	
260	263005-3	RUBBER PIN 6	1	
261	159290-3	INNER GEAR HOUSING INC. 260,265,278	1	
262	253952-6	CUP WASHER 8	1	
263	265412-6	HEX. BOLT M8X20	1	
264	221331-6	SPIRAL BEVEL GEAR 20	1	
265	211106-1	BALL BEARING 6201LLB	1	
266	263005-3	RUBBER PIN 6	1	
267	961055-9	RETAINING RING S-15	1	
269	254001-2	WOODRUFF KEY 4	2	
270	321150-1	IDLE SPINDLE	1	
271	211106-1	BALL BEARING 6201LLB	1	
272	263005-3	RUBBER PIN 6	1	
273	263005-3	RUBBER PIN 6	1	
274	211251-2	BALL BEARING 6003LLB	1	
275	321130-7	MAIN SPINDLE	1	
276	221856-0	SPUR GEAR 42	1	
277	961060-6	RETAINING RING S-20	1	
278	263005-3	RUBBER PIN 6	1	
279	211251-2	BALL BEARING 6003LLB	1	
280	643650-4	BRUSH HOLDER CAP 6.5-13.5	2	
281	181044-0	CARBON BRUSH CB-153	1	
282	681002-1	INSULATION WASHER	2	
283	687606-7	STRAIN RELIEF	1	
284	911121-2	PAN HEAD SCREW M4X14	2	
285	211066-7	BALL BEARING 6200LLB	1	
286	213051-6	DUST SEAL 10	1	
287	213102-5	DUST SEAL 12	1	
288	211106-1	BALL BEARING 6201LLB	1	
289	263005-3	RUBBER PIN 6	1	
290	263002-9	RUBBER PIN 4	1	
291	911290-9	PAN HEAD SCREW M5X65	2	
292	156591-0	MOTOR HOUSING INC. 230	1	
293	341512-7	REAR COVER	1	
294	911211-1	PAN HEAD SCREW M5X12	2	
295	265227-1	HEX. FLANGE HEAD BOLT M6X12	1	
296	251972-4	HEX. SOCKET HEAD BOLT M8X14	4	
297	224163-0	FLANGE 25	1	
298	224169-8	INNER FLANGE 51	1	
299	913217-5	SET SCREW M5X12	1	
300	211301-3	BALL BEARING 6004LLB	1	
301	254001-2	WOODRUFF KEY 4	3	
302	321153-5	SAW BLADE SHAFT	1	
303	221331-6	SPIRAL BEVEL GEAR 20	1	
304	211211-4	BALL BEARING 6302LLB	1	
305	157038-7	CENTER GEAR HOUSING INC. 289,308	1	

SPARE PARTS LIST

MODEL NO. 5500S

ITEM	PART NO.	DESCRIPTION	QTY	NOTE
306	915406-8	BINDING HEAD SCREW M8X10	1	
307	911341-8	PAN HEAD SCREW M6X25	4	
308	263005-3	RUBBER PIN 6	1	
309	961055-9	RETAINING RING S-15	1	
310	263005-3	RUBBER PIN 6	1	
311	911356-5	PAN HEAD SCREW M6X35	4	
312	159009-0	SIDE GEAR HOUSING (R) INC. 310	1	
313	211206-7	BALL BEARING 6202LLB	1	
314	253771-0	FLAT WASHER 16	1	
315	321154-3	IDLE SHAFT	1	
316	961055-9	RETAINING RING S-15	1	
317	911356-5	PAN HEAD SCREW M6X35	3	
318	211206-7	BALL BEARING 6202LLB	1	
319	912451-4	COUNTERSUNK HEAD SCREW M8X30	2	
320	441053-4	WOOD PLATE	1	
321	941201-0	FLAT WASHER 8	2	
322	931401-0	HEX. NUT M8	2	
324	961065-6	STOP RING E-15	1	
325	941202-8	FLAT WASHER 8	1	
326	941201-0	FLAT WASHER 8	1	
327	911213-7	PAN HEAD SCREW M5X12	1	
328	251382-5	+ PAN HEAD SCREW M5	1	
329	942151-2	SPRING WASHER 6	1	
330	211206-7	BALL BEARING 6202LLB	1	
331	931403-6	HEX. NUT M8	2	
400	321164-0	BAR	1	
401	783204-6	HEX. WRENCH 6	1	
402	781204-0	WRENCH 13-17	1	
403	782019-8	WRENCH 6-13	1	
404	231227-3	COMPRESSION SPRING 15	2	
405	163135-9	ROLLER	1	
406	321163-2	ROLLER SHAFT	1	
407	961016-9	STOP RING E-10	4	
408	321162-4	HOOK SCREW	2	
409	163134-1	MAIN LEG	1	
500	122221-5	AUXILIARY ROLLER ASS'Y INC. 404-409	1	
900	343582-2	PLATE	1	
901	343588-0	INDICATION PLATE	1	
902	816699-9	SCALE PLATE	1	
903	911106-8	PAN HEAD SCREW M4X8	2	
904	922126-7	HEX. SOCKET HEAD BOLT M4X16	2	
905	911213-7	PAN HEAD SCREW M5X12	3	
907	441054-2	MITER PLATE	2	
908	253852-0	FLAT WASHER 8	2	
909	912451-4	COUNTERSUNK HEAD SCREW M8X30	2	
910	931401-0	HEX. NUT M8	2	
911	231470-4	COMPRESSION SPRING 6	1	
912	322363-7	JOINT	1	
913	182257-6	SWITCH HANDLE SET	1	
915	414652-5	PUSH BUTTON	1	
916	911108-4	PAN HEAD SCREW M4X8	4	
917	911153-9	PAN HEAD SCREW M4X28	1	
918	951151-1	SPRING PIN 5-12	1	
919	911111-5	PAN HEAD SCREW M4X10	3	
923	441056-8	MITER PLATE 30B-60B	1	
925	251972-4	HEX. SOCKET HEAD BOLT M8X14	8	
927	682511-3	GROMMET	1	
928	682527-8	GROMMET	3	
929	687608-3	STRAIN RELIEF	3	

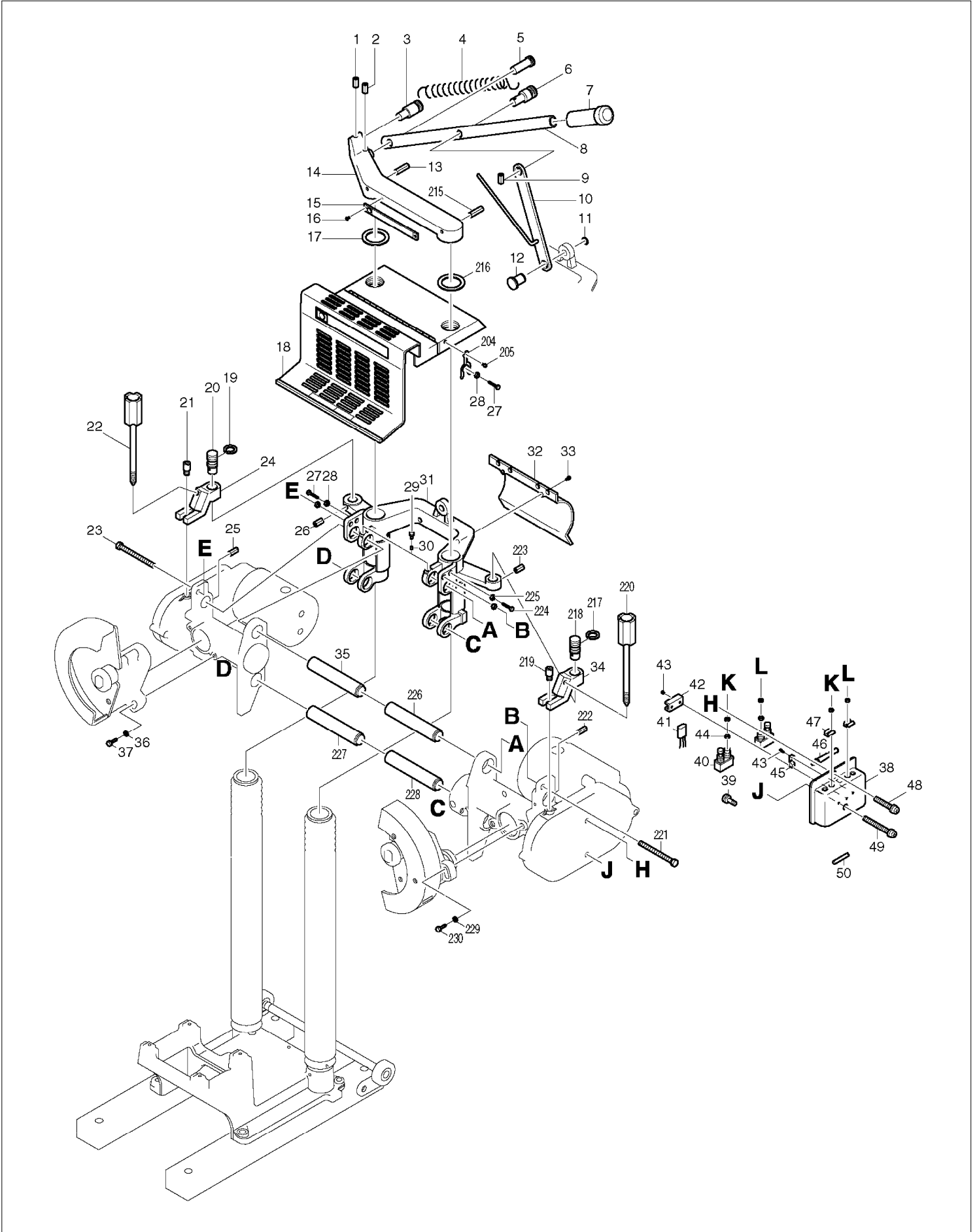
SPARE PARTS LIST

MODEL NO. 5500S

ITEM	PART NO.	DESCRIPTION	QTY	NOTE
930	664187-8	POWER SUPPLY CORD #18-2-1.0	1	
931	652774-5	RELAY	1	
932	654031-7	CUP WASHER 4	1	
933	654032-5	FLAT WASHER 4	1	
934	646346-6	LINE COIL	1	
935	645200-1	NOISE SUPPRESSOR	1	

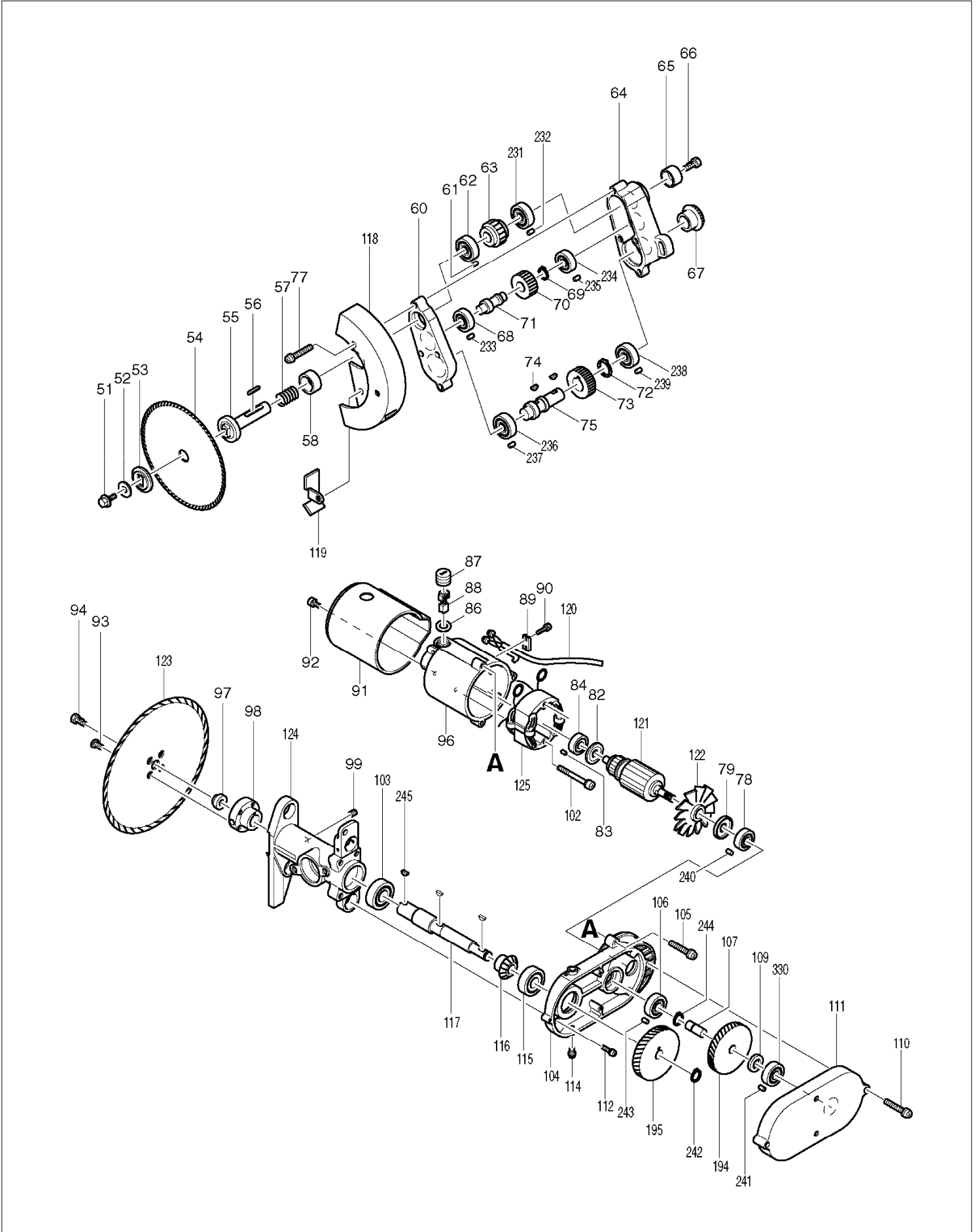
SERVICE DRAWING

MODEL NO. 5500S



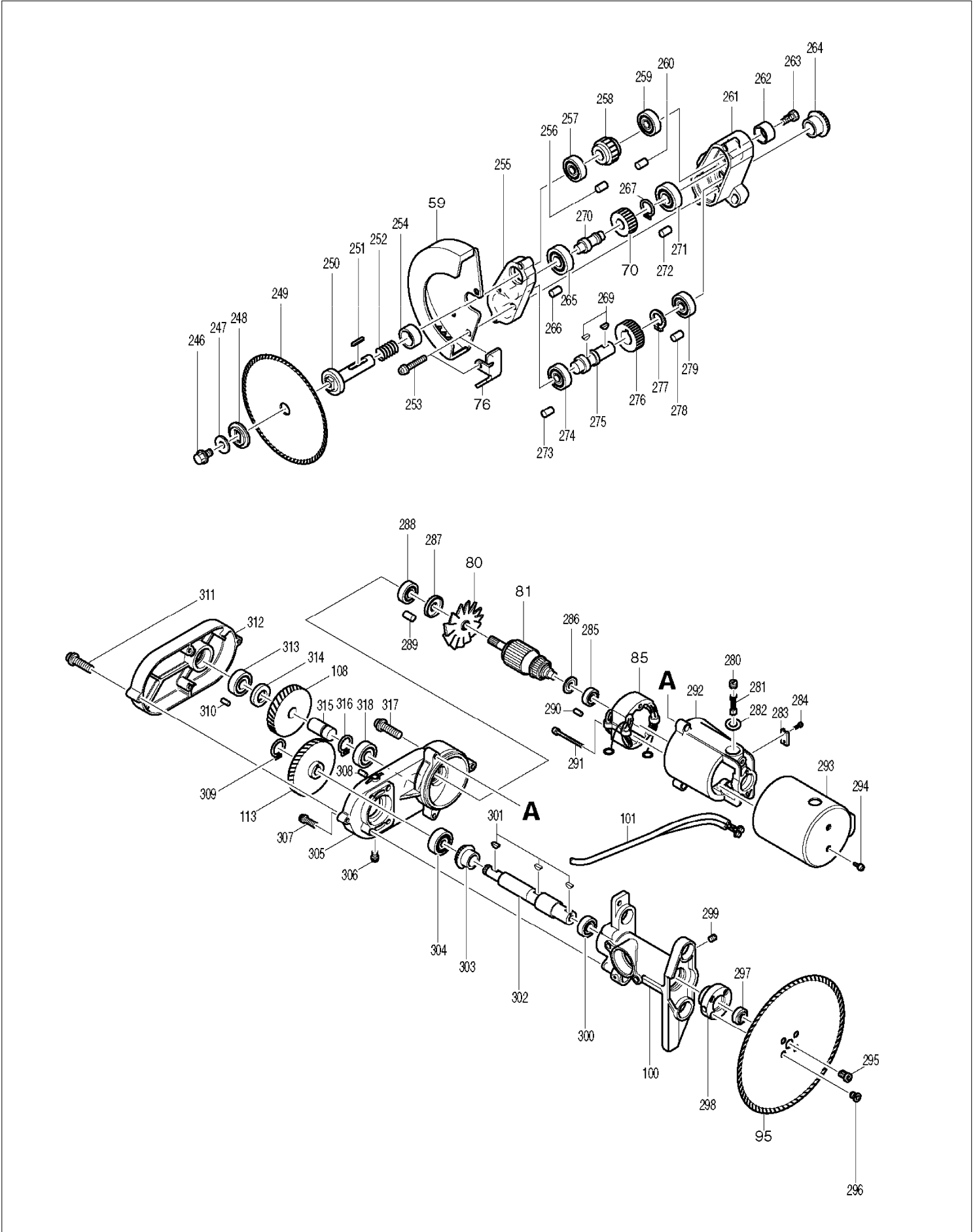
SERVICE DRAWING

MODEL NO. 5500S



SERVICE DRAWING

MODEL NO. 5500S



SERVICE DRAWING

MODEL NO. 5500S

