

SPARE PARTS LIST

MODEL NO. BHX2500

ITEM	PART NO.	DESCRIPTION	QTY	NOTE
001	810451-7	CAUTION LABEL	1	
002	808139-1	BHX2500 MODEL NO.LABEL	1	
003	810450-9	CAUTION LABEL	1	
004	273665-3	GRIP	1	
005	638640-0	SWITCH COMPLETE	1	
006	424182-8	FRICITION RUBBER	1	
007	450958-7	VOLUTE CASE R	1	
008	168518-8	CONTROL CABLE	1	
009	450960-0	THROTTLE LEVER	1	
010	922253-0	H.S.H.BOLT M5X30 WITH WR	3	
011	240113-7	FAN 180	1	
012	265584-7	HEX SOCKET HEAD BOLT M6X20 WR	2	
013	125533-5	VOLUTE CASE L ASSEMBLY INC.14-16	1	
014	452216-7	CRUISE LEVER	1	
015	234314-7	COMPRESSION SPRING 7	1	
016	266870-9	TAPPING SCREW (4X16)	1	
017	265878-0	TAPPING SCREW BT 5X16	10	
018	6601503400	OUTER SNAPRING	1	
019	6601502705	PROTECTOR	1	
020	6601503500	RUBBER WASHER	1	
021	911148-2	PAN HEAD SCREW M4X25	1	
022	265878-0	TAPPING SCREW BT 5X16	1	
023	267394-8	FLAT WASHER 5	1	
024	233536-6	TORSION SPRING 5	1	
025	268230-1	ROD 4	1	
026	265878-0	TAPPING SCREW BT 5X16	3	
027	450964-2	PLUG COVER	1	
028	424181-0	OIL GUARD	1	
029	125472-9	FUEL TANK CAP ASSEMBLY	1	
030	911128-8	PAN HEAD SCREW M4X16	2	
031	810455-9	CAUTION PLATE	1	
032	158911-4	TUBE COMPLETE	1	
033	345920-4	HOSE CLAMP	1	
034	163447-0	GASOLINE FILTER	1	
035	265878-0	TAPPING SCREW BT 5X16	3	
036	267394-8	FLAT WASHER 5	3	
037	450988-8	FUEL TANK	1	
038	452630-7	ENGINE COVER	1	
039	922223-9	H.S.H.BOLT M5X16 WITH WR	3	
040	140023-7	ROCKER COVER COMPLETE	1	
041	168401-9	SPARK PLUG	1	
042	162275-0	ROCKER COVER GASKET	1	
043	125914-3	CYLINDER BLOCK SET	1	
044	424201-0	CHECK VALVE	2	
045	325666-8	OIL WEIGHT	1	
046	424202-8	OIL TUBE	1	
047	282020-8	HOSE CLAMP	1	
048	922217-4	HEX. SOCKET HEAD BOLT M5X14	8	
049	162274-2	CAM GEAR COVER GASKET	1	
050	318443-5	CAM GEAR COVER	1	
051	922217-4	HEX. SOCKET HEAD BOLT M5X14	3	
052	213591-4	O RING 14	1	
053	922213-2	H.S.H.BOLT M5X12 WITH WR	1	
054	140813-8	OIL PIPE COMPLETE	1	
055	452610-3	OIL GAUGE	1	
056	424343-0	GASKET	1	
057	452047-4	OIL CAP	1	
058	162276-8	CASE GASKET	1	
059	346083-9	LEAD VALVE	1	
060	318440-1	RETAINER PLATE	1	

SPARE PARTS LIST

MODEL NO. BHX2500

ITEM	PART NO.	DESCRIPTION	QTY	NOTE
061	922112-8	HEX. SOCKET HEAD BOLT M4X10	1	
062	318442-7	OIL CASE	1	
063	922217-4	HEX. SOCKET HEAD BOLT M5X14	4	
064	196595-0	PISTON RING SET	1	
065	233976-8	CLIP	2	
066	318441-9	PISTON	1	
067	257781-9	PISTON PIN	1	
068	213147-3	OIL SEAL 12	1	
069	267400-9	FLAT WASHER 23	1	
070	254040-2	WOODRUFF KEY 3	1	
071	135374-1	CRANKSHAFT ASSEMBLY	1	
072	213769-9	OIL SEAL 10	1	
073	125554-7	ROCKER ARM ASSEMBLY	2	
074	256865-0	ROD 2.5	2	
075	325668-4	SPRING RETAINER	2	
076	234108-0	COMPRESSION SPRING 9	2	
077	256200-2	PIN 5	1	
078	326367-1	INTAKE VALVE	1	
079	326366-3	EXHAUST VALVE	1	
080	424200-2	SPACER	2	
081	125552-1	CAM GEAR ASSEMBLY	1	
082	268238-5	PIN 5	1	
083	268239-3	PIN 4	1	
084	313169-4	CAM LIFTER	2	
085	125917-7	STARTER COVER ASSY	1	
		INC.86-93		
086	168483-1	PULLEY	1	
087	266585-8	TAPPING SCREW 5X12	1	
088	325923-4	SWING ARM	1	
089	451938-6	COLLAR	1	
090	451937-8	REEL	1	
091	232258-5	SPIRAL SPRING	1	
092	424319-7	STARTER KNOB	1	
093	444019-3	STARTER ROPE	1	
094	893304-5	MAKITA LOGO LABEL	1	
095	911128-8	PAN HEAD SCREW M4X16	2	
096	413120-5	INSULATOR GASKET	1	
097	125916-9	INSULATOR ASSY	1	
098	325934-9	ADJUST SCREW	1	
099	922228-9	H.S.H.BOLT M5X18 WITH WR	2	
100	413138-6	CARBURETOR GASKET	1	
101	922213-2	H.S.H.BOLT M5X12 WITH WR	1	
102	168641-9	CARBURETOR	1	
		INC.103,105-119		
103	140808-1	BODY PUMP ASSY	1	
		INC.104		
104	352010-6	INLET SCREEN	1	
105	442154-1	METERING DIAPHRAGM GASKET	1	
106	168620-7	METERING DIAPHRAGM	1	
107	140438-8	AIR PURGE BODY	1	
108	424314-7	PRIMER PUMP	1	
109	346270-0	PRIMER PUMP COVER	1	
110	266582-4	TAPPING SCREW 3X24	4	
111	WJ00096364	SCREW M3X8 WITH WASHER	2	
112	325922-6	SWIVEL	1	
113	413140-9	WASHER	1	
114	257964-1	STOP RING E-3	1	
115	234183-6	CONICAL COMPRESSION SPRING 5-9	1	
116	213538-8	O RING 2	1	
117	326027-5	JET	1	
118	442155-9	PUMP GASKET	1	

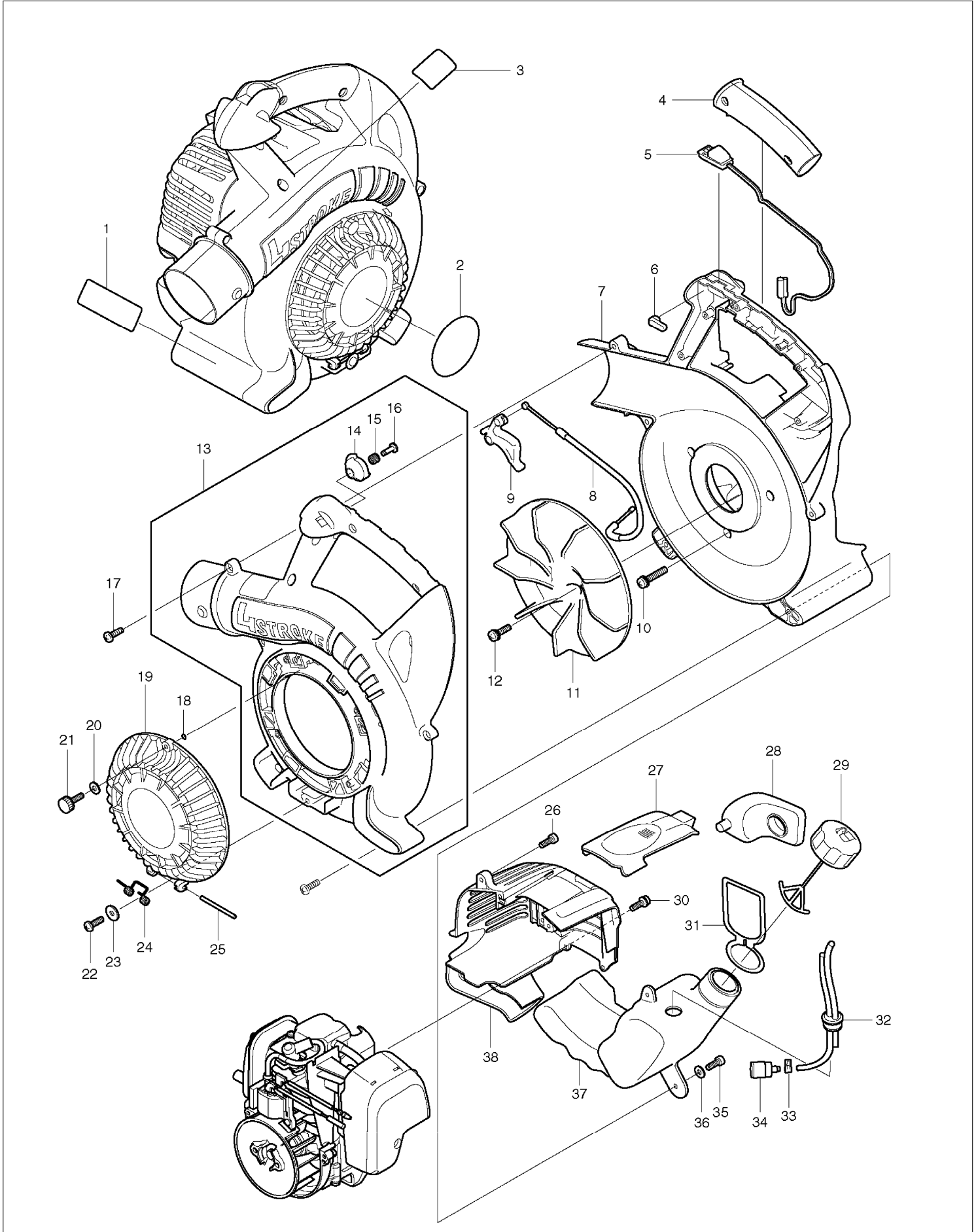
SPARE PARTS LIST

MODEL NO. BHX2500

ITEM	PART NO.	DESCRIPTION	QTY	NOTE
119	168575-6	PUMP DIAPHRAGM	1	
120	345918-1	HOSE CLAMP	1	
121	422041-0	BREATHER PIPE	1	
122	422070-3	PIPE	1	
123	125468-0	CLEANER PLATE ASSEMBLY	1	
		124-132		
124	451925-5	CHOKE LEVER	1	
125	213540-1	O RING 15	1	
126	140814-6	AIR CLEANER PLATE COMPLETE	1	
127	424316-3	CHECK VALVE	1	
128	213539-6	O RING 14	1	
129	451924-7	CHECK VALVE PLATE	1	
130	424315-5	CHECK VALVE	1	
131	168577-2	SEPARATOR GASKET	1	
132	168576-4	SEPARATOR PLATE	1	
133	443140-5	AIR CLEANER ELEMENT	1	
134	443141-3	AIR CLEANER ELEMENT	1	
135	450561-4	AIR CLEANER COVER	1	
136	911218-7	PAN HEAD SCREW M5X14	1	
137	265188-5	+PAN HEAD SCREW M5X68	2	
138	345919-9	PLATE	1	
139	423376-2	GASKET	1	
140	450560-6	CHOKE PLATE	1	
141	266440-4	HEX SOCKET HEAD BOLT M5X40	2	
142	168643-5	MUFFLER,EXHAUST	1	
		INC.143		
143	324980-9	SPARK ARRESTER	1	
144	168593-4	MUFFLER GASKET	1	
145	638709-0	LEAD WIRE	1	
146	638710-5	LEAD WIRE	1	
147	424105-6	PLUG CAP	1	
148	324891-8	PLUG CAP SPRING	1	
149	168501-5	IGNITION COIL	1	
150	922138-0	H.S.H.BOLT M4X20 WITH WR	2	
151	265577-4	HEX HEAD BOLT M6X16	1	
152	318702-7	FLYWHEEL	1	
153	451752-0	NOZZLE	1	
154	450966-8	NOZZLE END	1	
156	324961-3	INTAKE PIPE	1	
157	213078-6	O-RING 10	1	
A01	194717-6	BOX WRENCH SET	1	
E01	140352-8	HOSE CLAMP	1	

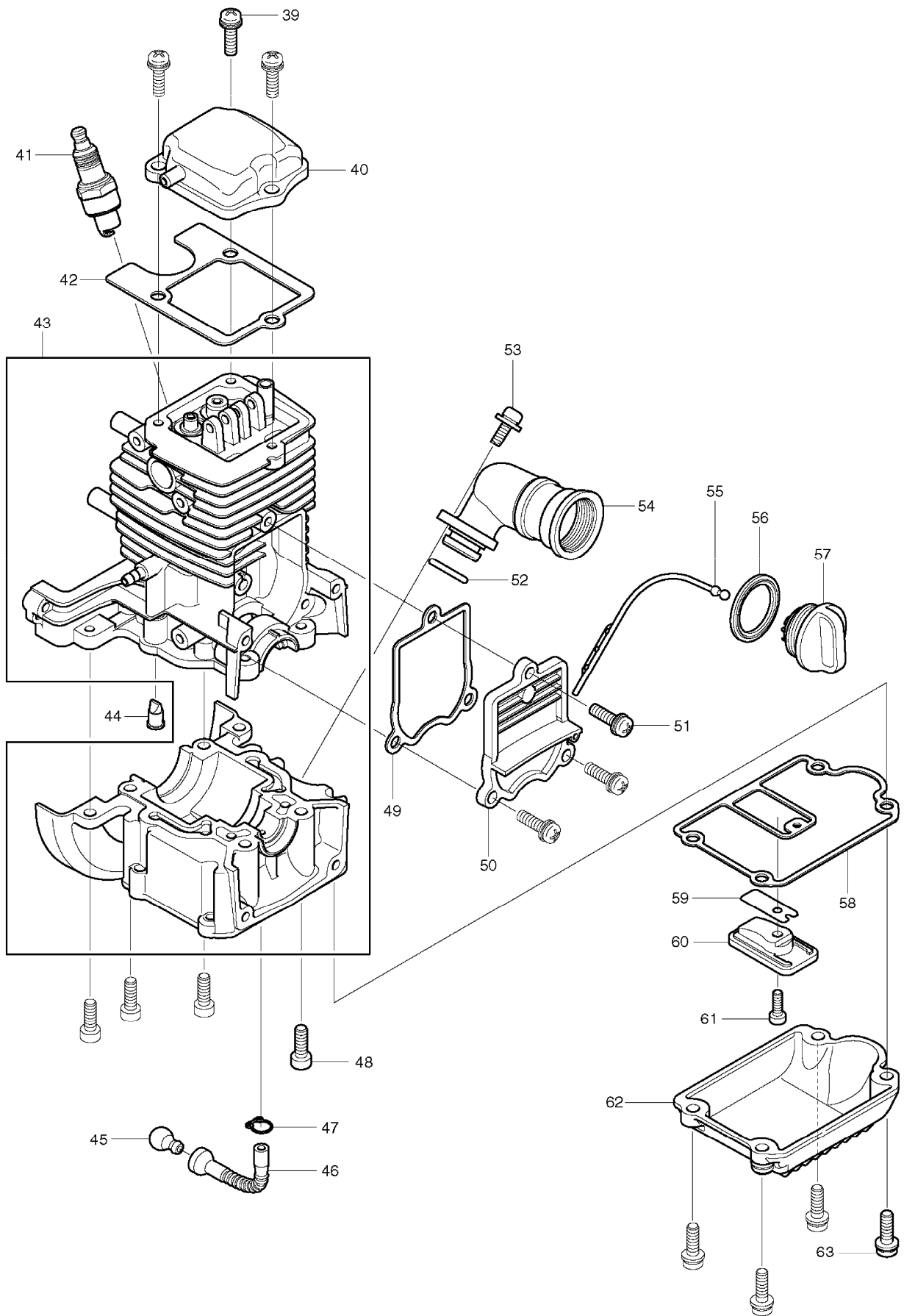
SERVICE DRAWING

MODEL NO. BHX2500



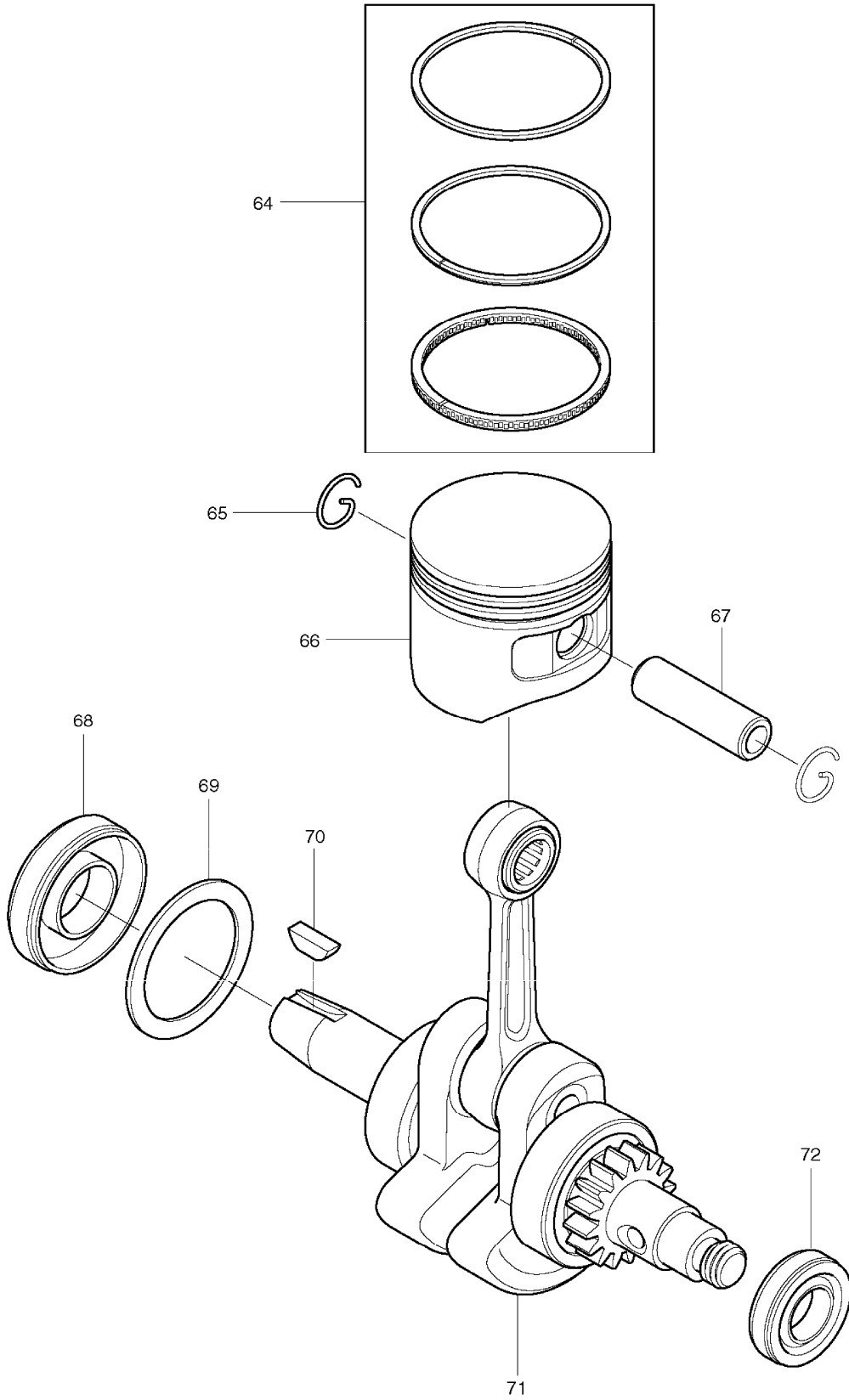
SERVICE DRAWING

MODEL NO. BHX2500



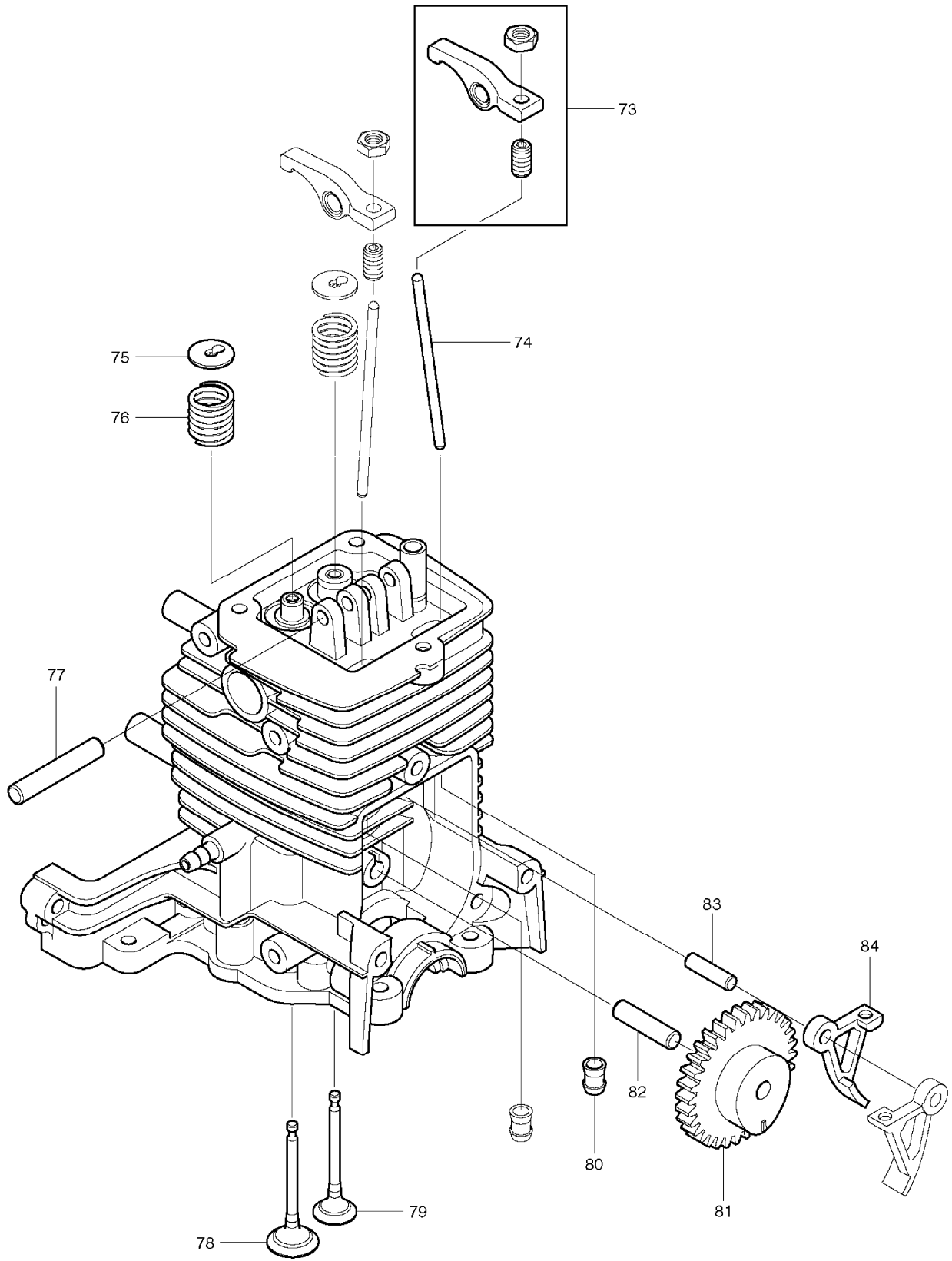
SERVICE DRAWING

MODEL NO. BHX2500



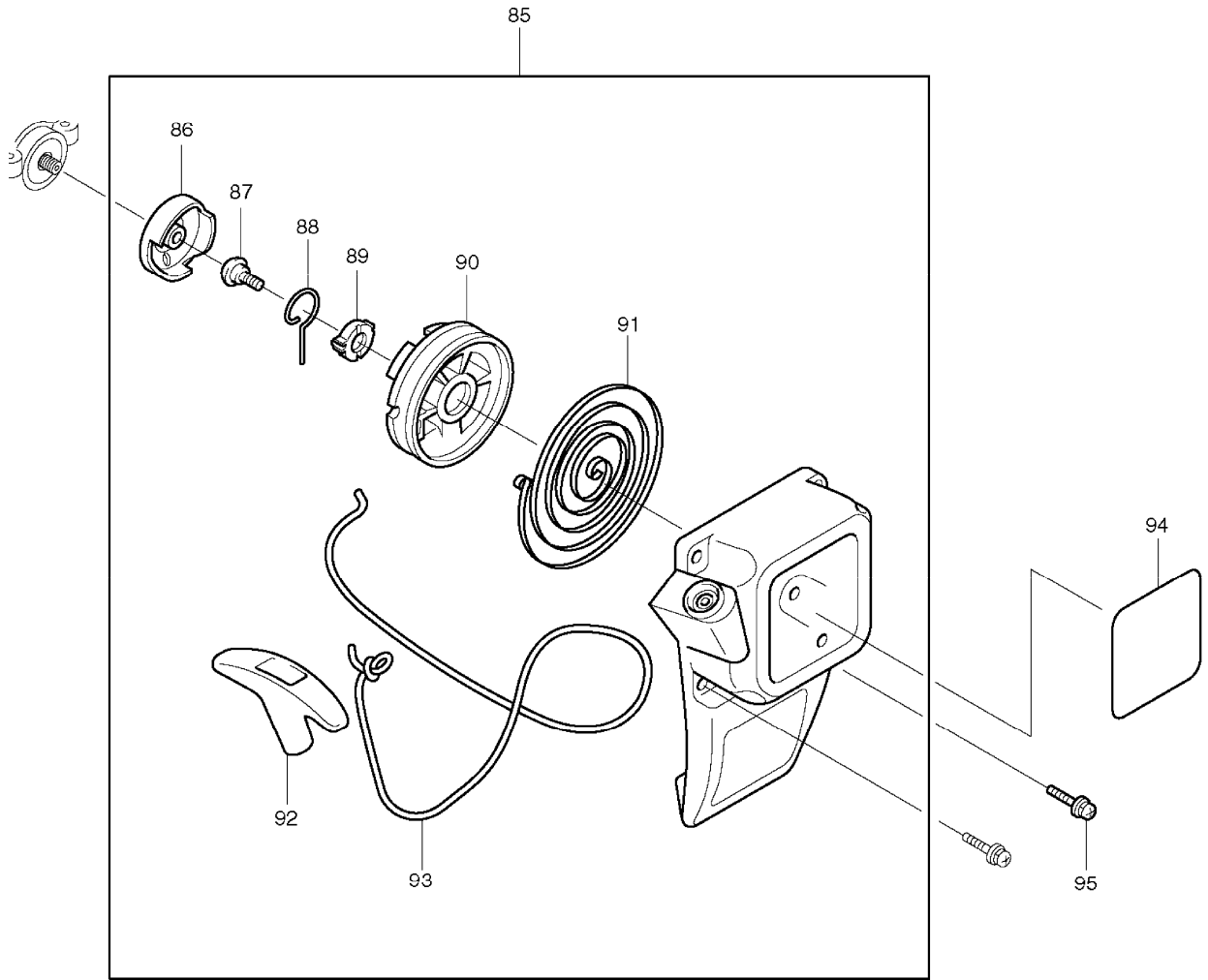
SERVICE DRAWING

MODEL NO. BHX2500



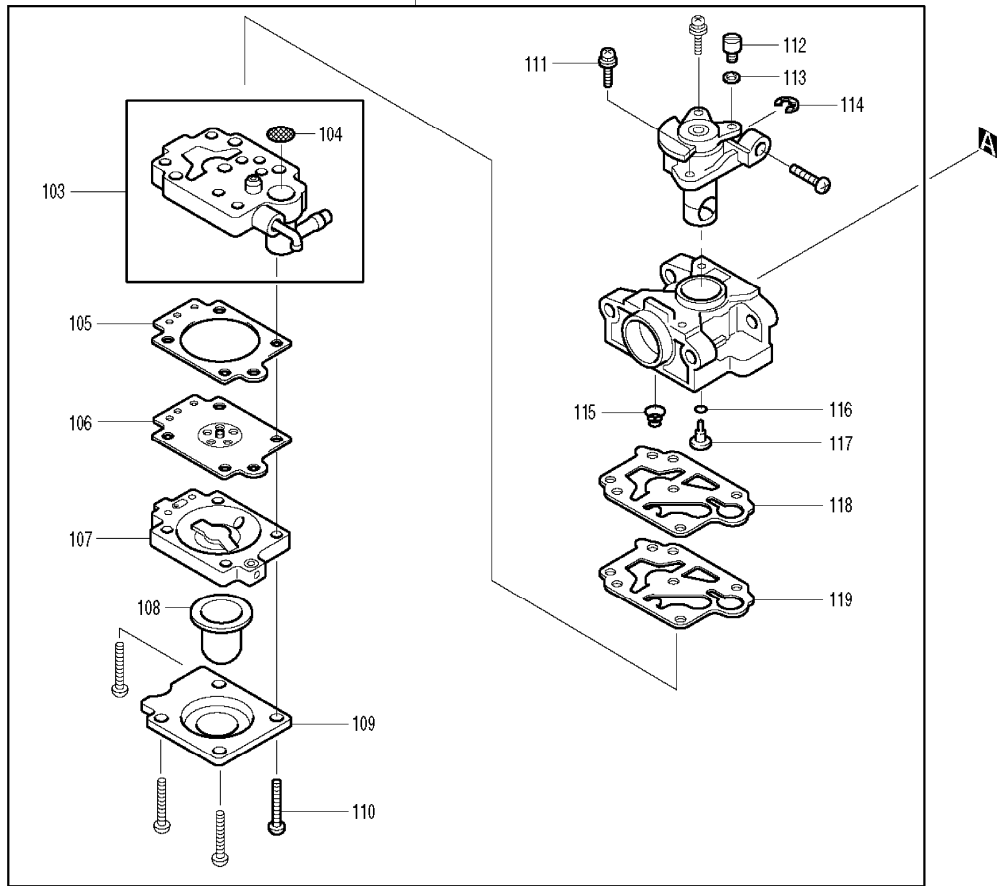
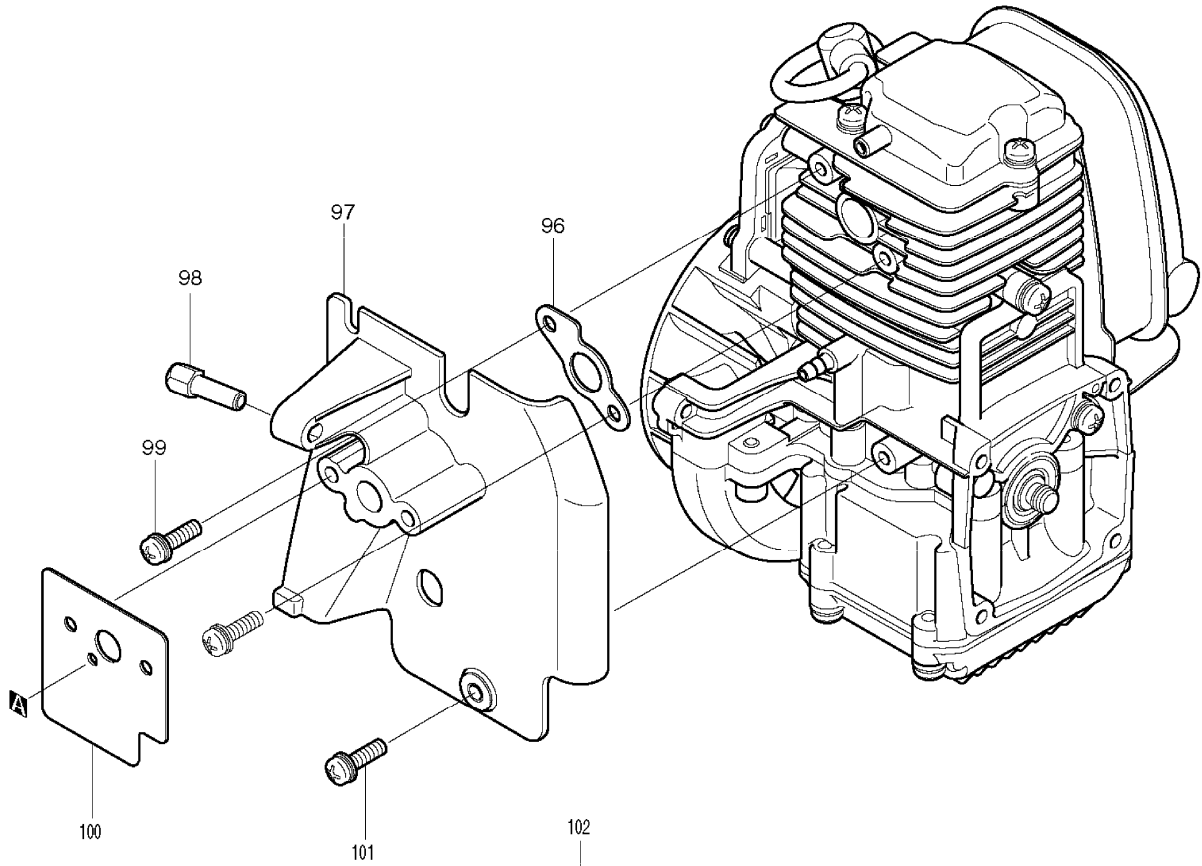
SERVICE DRAWING

MODEL NO. BHX2500



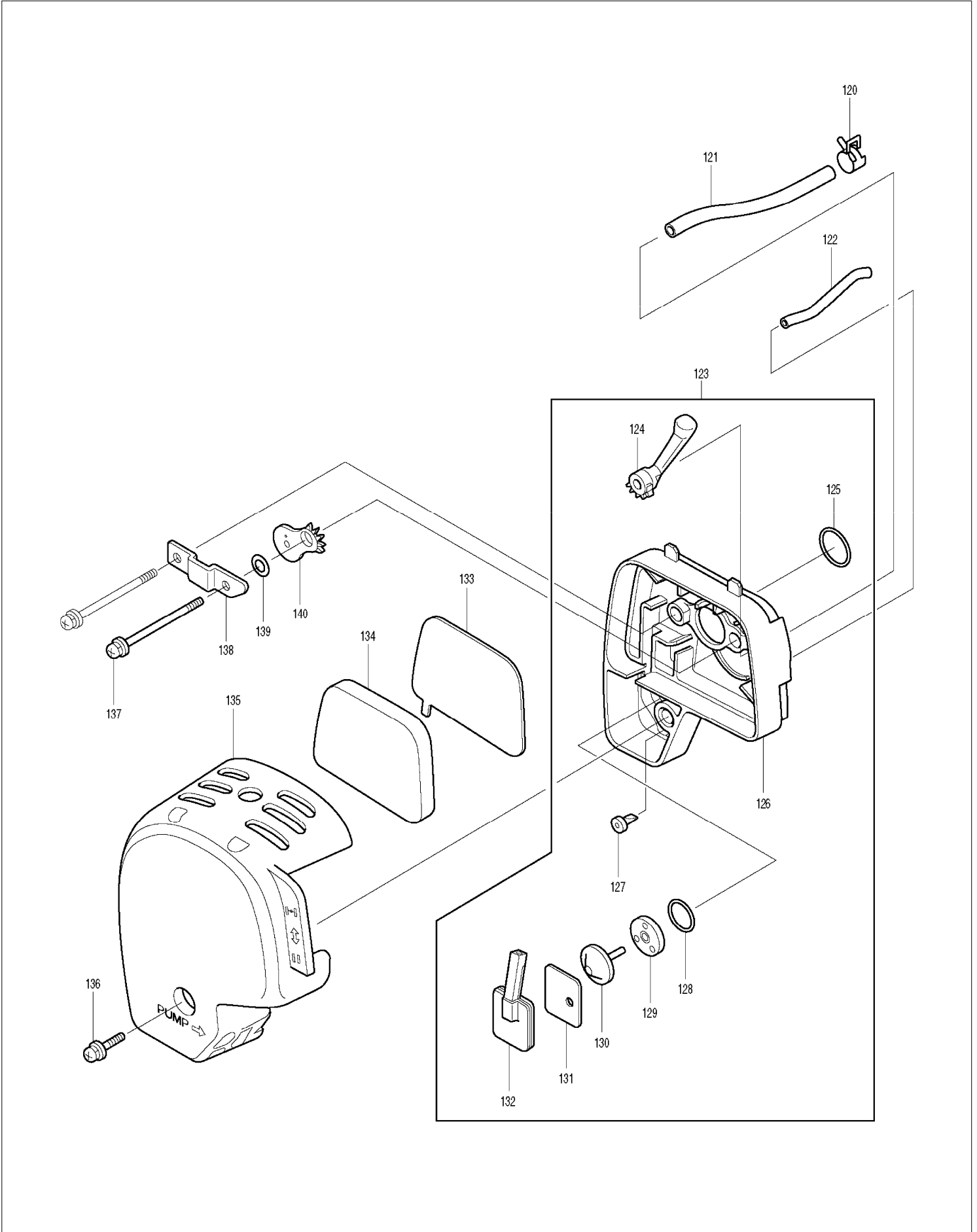
SERVICE DRAWING

MODEL NO. BHX2500



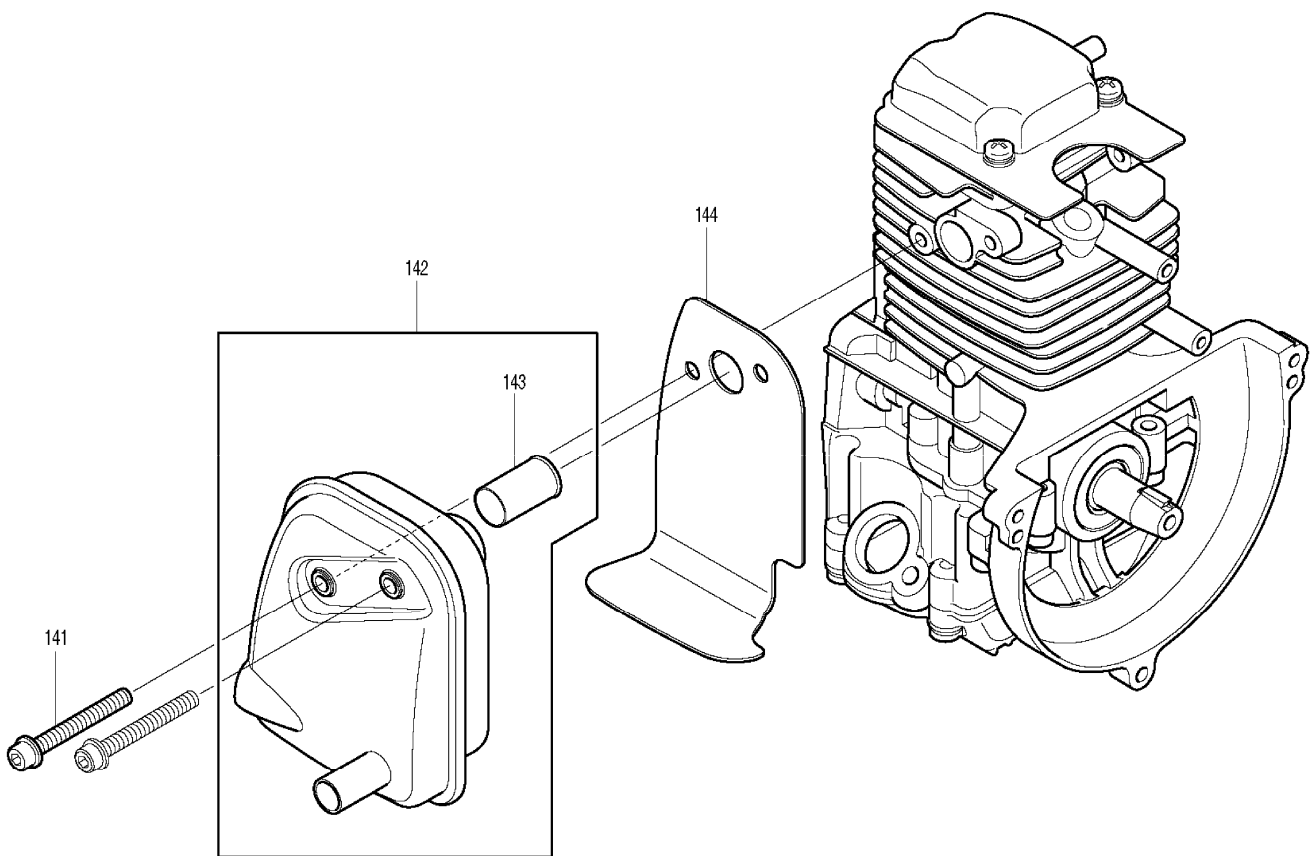
SERVICE DRAWING

MODEL NO. BHX2500



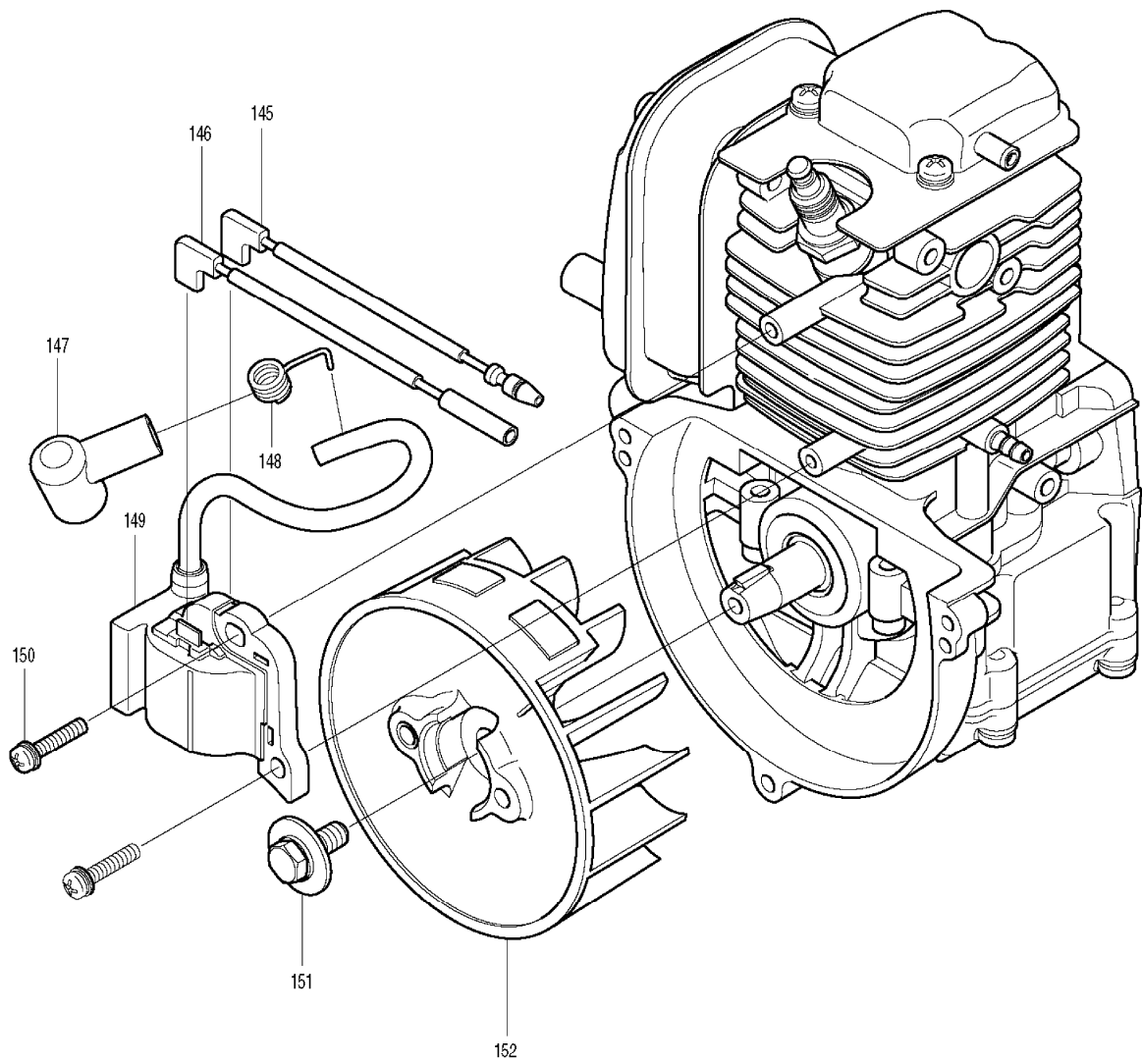
SERVICE DRAWING

MODEL NO. BHX2500



SERVICE DRAWING

MODEL NO. BHX2500



SERVICE DRAWING

MODEL NO. BHX2500

