

SPARE PARTS LIST

MODEL NO. HM1810

ITEM	PART NO.	DESCRIPTION	QTY	NOTE
001	322566-3	SCREW SEAL	1	
002	211256-2	BALL BEARING 6203LLB	1	
003	267706-5	WASHER 17	1	
004	516922-9	ARMATURE ASS'Y 200-240V INC. 1-3,5,6	1	
005	681646-7	INSULATION WASHER	1	
006	211087-9	BALL BEARING 6200DDW	1	
007	263002-9	RUBBER PIN 4	4	
008	154586-7	MOTOR HOUSING B COMPLETE	1	
009	191957-7	A.C. CARBON BRUSH CB-204	1	
010	643710-2	BRUSH HOLDER CAP	2	
011	317899-9	BEARING BOX	1	
012	265366-7	HEX. SOCKET HEAD BOLT M6X22	4	
013	240024-6	FAN 100	1	
014	253165-9	FLAT WASHER 8	1	
015	931402-8	HEX. NUT M8	1	
016	265344-7	+ HEX. BOLT M5X85	2	
017	628943-0	FIELD 240V	1	
018	414787-2	MOTOR HOUSING A	1	
019	254001-2	WOODRUFF KEY 4	2	
020	213507-9	O RING 40	1	
021	256151-9	PIN 5	1	
022	154585-9	GEAR HOUSING COMPLETE INC. 20,28	1	
023	211209-1	BALL BEARING 6202	1	
024	226251-9	SPUR GEAR 22	1	
025	254001-2	WOODRUFF KEY 4	2	
026	211361-5	BALL BEARING 6305LLB	1	
027	213476-4	OIL SEAL 35	1	
028	213721-7	O RING 61	1	
029	213806-9	O RING 90	1	
030	154588-3	CRANK SHAFT COMPLETE	1	
031	318027-9	CRANK HOUSING	1	
032	263002-9	RUBBER PIN 4	1	
033	419262-3	CRANK HOUSING CAP	1	
034	419263-1	CAP COVER	1	
035	221793-8	HELICAL GEAR 50	1	
036	211209-1	BALL BEARING 6202	1	
037	922496-4	HEX. SOCKET HEAD BOLT M8X75	4	
038	418415-1	SIDE HANDLE	1	
039	922353-6	HEX.SOCKET HEAD BOLT M6X30	4	
040	317902-6	GEAR HOUSING COVER	1	
041	211214-8	BALL BEARING 6302	1	
042	961060-6	RETAINING RING S-20	1	
043	226242-0	SPUR GEAR 47	1	
044	331416-1	SLEEVE 25	1	
045	962301-3	RETAINING RING R-62	1	
046	922331-6	HEX. SOCKET HEAD BOLT M6X20	4	
047	941152-7	FLAT WASHER 6	4	
048	419324-7	MOTOR HOUSING COVER	1	
049	267296-8	FLAT WASHER 63	1	
050	324580-5	SPACER	1	
051	212358-7	NEEDLE BEARING 2520	1	
052	322476-4	CONECTING ROD	1	
053	213662-7	O RING 55	1	
054	324536-8	PISTON	1	
055	268130-5	PIN 15	1	
056	213666-9	O RING 52	1	
057	331694-3	CYLINDER LINER 62	1	
058	213666-9	O RING 52	1	
059	324546-5	STRIKER	1	

SPARE PARTS LIST

MODEL NO. HM1810

ITEM	PART NO.	DESCRIPTION	QTY	NOTE
060	418949-4	SPACER 68	1	
061	154589-1	BALLANCER COMPLETE	1	
062	418949-4	SPACER 68	1	
063	212075-9	NEEDLE ROLLER BEARING 1010	1	
064	154946-3	CONNECTING ROD COMPLETE	1	
065	213855-6	O RING 95	1	
066	318028-7	CRANK BOX	1	
067	922331-6	HEX. SOCKET HEAD BOLT M6X20	4	
068	267297-6	FLAT WASHER 65	1	
069	212701-0	NEEDLE BEARING 7025	1	
070	154587-5	CRANK COMPLETE	1	
071	331718-5	SPACER	1	
072	267297-6	FLAT WASHER 65	1	
073	962354-2	RETAINING RING R-80	1	
074	213765-7	O RING 78	1	
075	418952-5	STOPPER	1	
076	266464-0	HEX. SOCKET HEAD BOLT M5X20	2	
077	345569-0	PLATE	1	
078	256151-9	PIN 5	1	
079	450347-6	CAP	1	
080	162241-7	GASKET	1	
081	318354-4	BARREL	1	
082	942301-9	SPRING WASHER 12	4	
083	922677-0	HEX. SOCKET BOLT M12X55	4	
084	213660-1	O RING 53	1	
085	322548-5	CYLINDER B	1	
086	262050-5	RUBBER RING 54	1	
087	951272-9	SPRING PIN 8-40	2	
088	324238-6	TOOL RETAINER SHAFT	1	
089	324236-0	TOOL RETAINER	1	
090	256219-1	PIN 4	2	
091	322477-2	TOOL RETAINER POLE	2	
092	233083-7	COMPRESSION SPRING 12	2	
093	322560-5	RETAINER RING	2	
094	265989-1	HEX. SOCKET BOLT M12X45	4	
095	253989-3	SPRING WASHER 12	4	
096	324539-2	TOOL HOLDER 29	1	
097	213755-0	O RING 75	1	
098	213517-6	X RING 40	1	
099	324545-7	IMPACT BOLT	1	
100	213667-7	O RING 60	1	
101	324541-5	IMPACT BOLT HOLDER	1	
102	695123-3	POWER SUPPLY CORD 1.5-2-4.0	1	
103	682546-4	CORD GUARD 12-125	1	
104	631671-8	PILOT LAMP	1	
105	638378-7	LEAD UNIT	1	
106	418951-7	LENS	1	
107	317901-8	REAR CASE	1	
108	922366-7	HEX. SOCKET HEAD BOLT M6X45	4	
109	861399-6	HM1810 NAME PLATE	1	
110	418954-1	TOP COVER	1	
111	419044-3	HANDLE SUB BASE	1	
112	685700-9	SPONGE SHEET	1	
113	685722-9	SPONGE	1	
114	688131-1	LINE FILTER	1	
115	687053-2	STRAIN RELIEF	1	
116	265995-6	TAPPING SCREW 4X18	2	
117	645200-1	NOISE SUPPRESSOR	1	
118	685722-9	SPONGE	1	
119	654554-5	TERMINAL BLOCK	2	
120	265535-0	HEX.SOCKET HEAD BOLT M6X65	4	

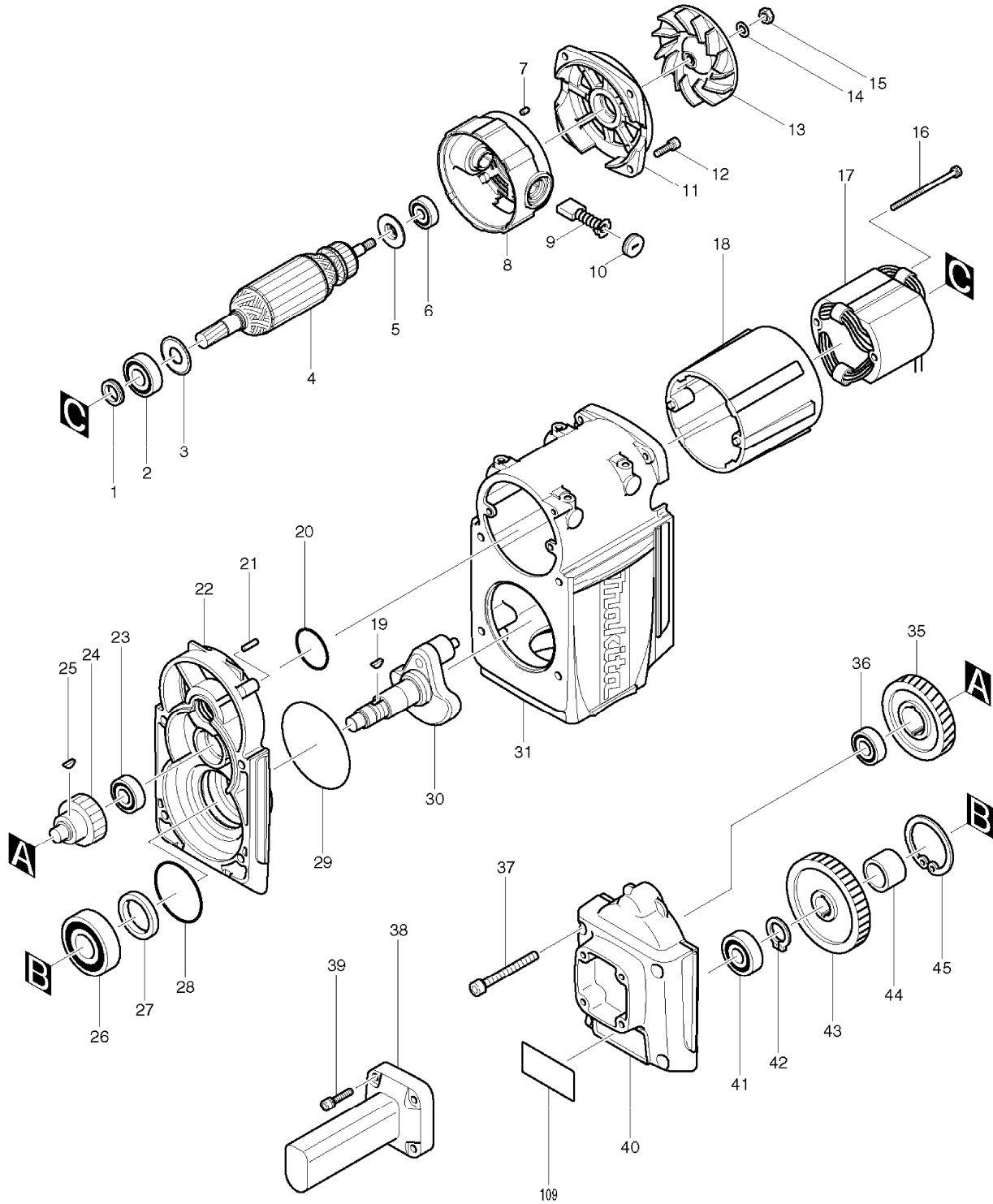
SPARE PARTS LIST

MODEL NO. HM1810

ITEM	PART NO.	DESCRIPTION	QTY	NOTE
121	941152-7	FLAT WASHER 6	4	
122	418333-3	HANDLE	1	
123	418332-5	SWITCH LEVER	1	
124	421850-4	DUST PLATE	1	
125	256206-0	PIN 4	1	
126	345355-9	SUPPORT	1	
127	265995-6	TAPPING SCREW 4X18	2	
128	651131-4	SWITCH C3D-15MS	1	
129	419045-1	SWITCH COVER	1	
130	265995-6	TAPPING SCREW 4X18	2	
131	685718-0	SPONGE SHEET	1	
133	213953-6	O RING 24	1	
134	819213-0	MAKITA LOGO LABEL	1	
135	265995-6	TAPPING SCREW 4X18	1	
136	424132-3	CAP RUBBER	2	
137	819352-6	CLEAR LABEL	1	
A01	783203-8	HEX. WRENCH 5	1	

SERVICE DRAWING

MODEL NO. HM1810



SERVICE DRAWING

MODEL NO. HM1810

