

SPARE PARTS LIST

MODEL NO. UC3541A

ITEM	PART NO.	DESCRIPTION	QTY	NOTE
001	266326-2	TAPPING SCREW 4X18	3	
002	454725-2	REAR COVER	1	
003	191972-1	CARBON BRUSH CB-132	1	
004	682211-5	RUBBER SLEEVE	2	
005	815A83-1	UC3541A NAME PLATE	1	
006	424600-6	FRONT GRIP	1	
007	266388-0	TAPPING SCREW 5X16	1	
008	253807-5	FLAT WASHER 5	1	
009	142279-8	FRONT HAND GUARD COMPLETE	1	
010	231640-5	TORSION SPRING 20	1	
011	187869-0	HOUSING SET INC. 62	1	
012	650577-1	SWITCH SD-006-BB2AA-AA	1	
013	650716-3	SWITCH TGC31B	1	
014	233173-6	COMPRESSION SPRING 4	1	
015	416178-3	LOCK-OFF BUTTON	1	
016	455185-1	SWITCH LEVER	1	
017	645149-5	NOISE SUPPRESSOR	1	
018	266326-2	TAPPING SCREW 4X18	2	
019	687124-5	STRAIN RELIEF	1	
020	682540-6	CORD GUARD 9.3-90	1	
021	665876-8	POWER SUPPLY CORD 1.0-2-0.6	1	
022	210029-0	BALL BEARING 608ZZ	1	
023	681644-1	INSULATION WASHER	1	
024	594538-0	FIELD ASS'Y 220-240V	1	
025	266389-8	TAPPING SCREW 5X70	2	
026	513893-1	ARMATURE ASS'Y 220-240V INC. 22,23,29	1	
028	419238-0	BAFFLE PLATE	1	
029	211061-7	BALL BEARING 6000LLB	1	
030	227153-2	SPUR GEAR 12	1	
031	931403-6	HEX. NUT M8	1	
032	142282-9	TANK CAP COMPLETE	1	
034	454729-4	OIL TANK	1	
037	424602-2	OIL TUBE	1	
038	231975-4	SPRING	1	
039	416274-7	CAP	1	
040	268238-5	PIN 5	1	
041	158047-9	LINK PLATE COMPLETE	1	
042	233175-2	COMPRESSION SPRING 9	1	
044	266326-2	TAPPING SCREW 4X18	1	
045	267195-4	FLAT WASHER 4	1	
046	168321-7	BRAKE BAND	1	
047	346739-4	BRAKE RING	1	
048	231817-2	TENSION SPRING 5	1	
049	454720-2	BEARING HOUSING	1	
050	213017-6	O RING 6	1	
051	266326-2	TAPPING SCREW 4X18	4	
052	424601-4	CONNECTOR	1	
053	135615-5	SPUR GEAR 43 ASS'Y	1	
055	210106-8	BALL BEARING 6001LLB	1	
056	961006-2	RETAINING RING S-10	1	
057	210033-9	BALL BEARING 696ZZ	1	
058	326359-0	ROD	1	
060	266326-2	TAPPING SCREW 4X18	2	
061	345651-5	SPIKE BUMPER	1	
062	187869-0	HOUSING SET INC. 11	1	
063	266326-2	TAPPING SCREW 4X18	7	
064	221526-1	SPROCKET	1	
065	259036-8	STOP RING E-8	1	

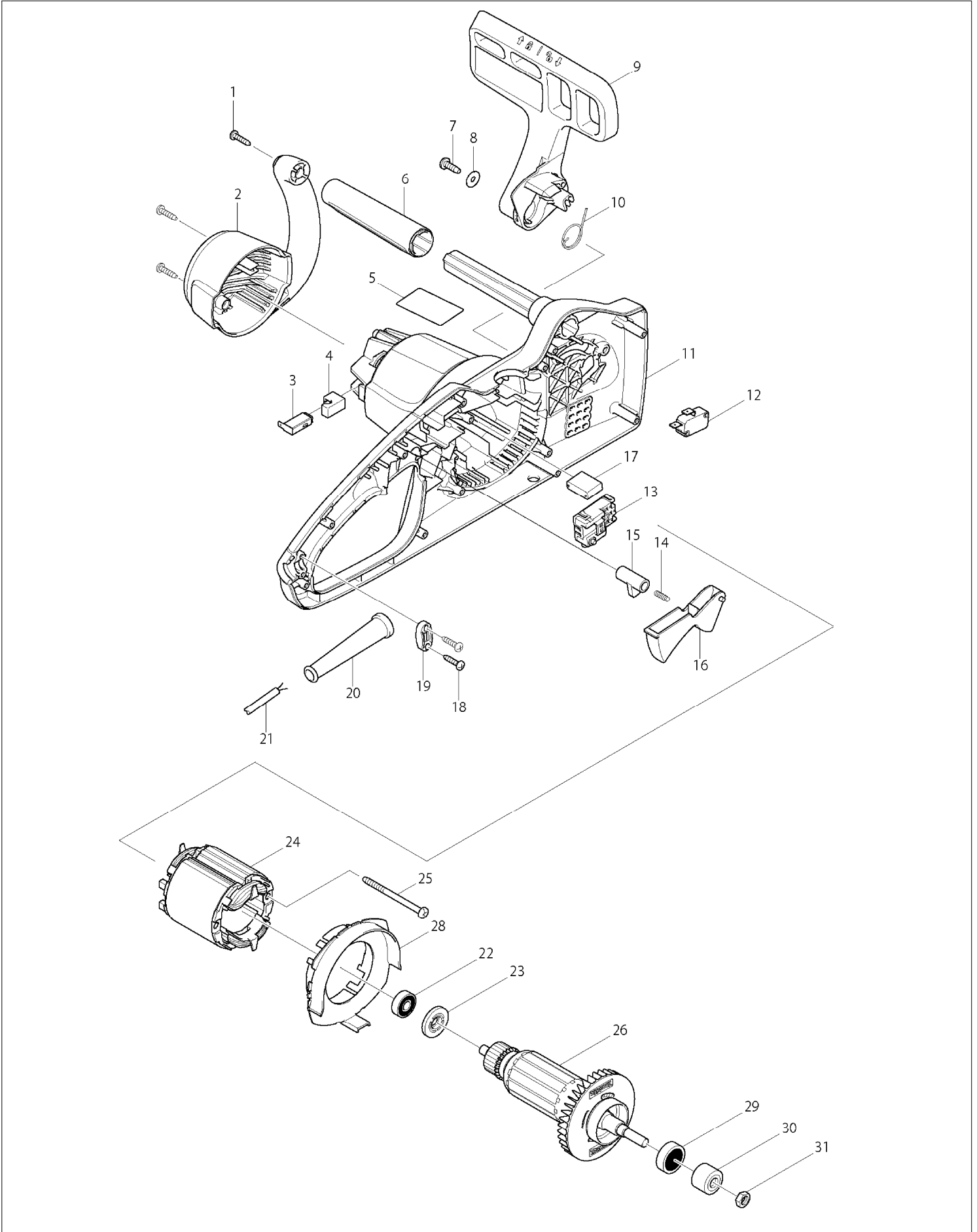
SPARE PARTS LIST

MODEL NO. UC3541A

ITEM	PART NO.	DESCRIPTION	QTY	NOTE
066	266007-8	TAPPING SCREW BIND PT 3X10	3	
067	454727-8	TENSION COVER	1	
068	454726-0	DIAL 30	1	
069	326360-5	SHAFT	1	
070	227496-2	STRAIGHT BEVEL GEAR 14	1	
071	227496-2	STRAIGHT BEVEL GEAR 14	1	
072	324620-9	ADJUST SCREW	1	
073	346859-4	TENSION SLIDE	1	
074	424603-0	GROMMET	1	
075	142156-4	OIL PUMP COMPLETE	1	
076	221427-3	WORM GEAR	1	
077	266326-2	TAPPING SCREW 4X18	1	
078	266427-6	TAPPING SCREW 4X12	3	
079	142281-1	SPROCKET COVER COMPLETE	1	
080	454728-6	COVER	1	
081	142235-8	NUT COMPLETE	1	
A01	158024-1	HOOK COMPLETE	1	
A02	165201-8	GUIDE BAR 14"	1	
A03	419288-5	CHAIN COVER	1	
A04	196212-2	SAW CHAIN SET	1	

SERVICE DRAWING

MODEL NO. UC3541A



SERVICE DRAWING

MODEL NO. UC3541A

