

SPARE PARTS LIST

MODEL NO. LC1230

ITEM	PART NO.	DESCRIPTION	QTY	NOTE
001	151641-6	MOTOR HOUSING COMPLETE	1	
002	851537-8	NAME PLATE LC1230	1	
003	266028-0	TAPPING SCREW BIND CT 5X40	4	
004	253749-3	FLAT WASHER 16	1	
005	210042-8	BALL BEARING 629LLB	1	
006	681666-1	INSULATION WASHER	1	
007	636168-2	FIELD 220V	1	
008	266059-9	TAPPING SCREW 5X75	2	
009	415475-4	BAFFLE PLATE	1	
010	510283-9	ARMATURE ASS'Y 220V	1	
		INC. 5,6		
011	267714-6	WASHER 15	1	
012	211206-7	BALL BEARING 6202LLB	1	
013	317147-6	GEAR HOUSING L	1	
014	226122-0	GEAR COMPLETE 16-44	1	
015	211064-1	BALL BEARING 6000	1	
016	231418-6	COMPRESSION SPRING 9	1	
017	322678-2	SHAFT LOCK	1	
018	961014-3	STOP RING E-8	1	
019	191953-5	CARBON BRUSH CB-203	1	
020	643700-5	BRUSH HOLDER CAP 7-18	2	
021	266032-9	TAPPING SCREW BIND CT 5X30	1	
022	265995-6	TAPPING SCREW 4X18	4	
023	182628-7	HANDLE SET	1	
		INC. 33		
024	411478-6	SWITCH BUTTON	1	
025	266033-7	TAPPING SCREW BIND CT 5X50	2	
026	281216-8	HANGER	1	
027	268101-2	PIN 6	1	
028	282016-9	CHAIN	1	
029	231397-8	COMPRESSION SPRING 4	1	
030	651922-3	SWITCH TG71B	1	
031	415366-9	SWITCH LOCK	1	
032	152463-7	SWITCH LEVER COMPLETE	1	
033	182628-7	HANDLE SET	1	
		INC. 23		
034	265995-6	TAPPING SCREW 4X18	2	
035	687124-5	STRAIN RELIEF	1	
036	682540-6	CORD GUARD 9.3-90	1	
037	665865-3	POWER SUPPLY CORD 1.0-2-2.5	1	
038	211064-1	BALL BEARING 6000	1	
039	226427-8	HELICAL GEAR 38	1	
040	211061-7	BALL BEARING 6000LLB	1	
041	317226-0	GEAR HOUSING R	1	
042	266034-5	TAPPING SCREW CT 4X16	2	
043	416869-6	PROTECTOR	1	
044	231226-5	COMPRESSION SPRING 11	1	
045	415474-6	BLADE GUIDE	1	
046	266030-3	SCREW M6	1	
047	257139-2	RING 20	1	
048	211329-1	BALL BEARING 6204DDW	1	
049	254229-2	KEY 5	1	
050	323828-2	SPINDLE	1	
051	224308-0	INNER FLANGE 69	1	
052	224379-7	OUTER FLANGE 69	1	
053	265414-2	HEX. FLANGE HEAD BOLT M10X20	1	
054	183089-4	BLADE CASE SET	1	
		INC. 56		
055	256405-4	PIN 6-7	2	
056	819064-1	MAKITA MARK	1	
057	344737-2	CENTER COVER	1	

SPARE PARTS LIST

MODEL NO. LC1230

ITEM	PART NO.	DESCRIPTION	QTY	NOTE
058	266035-3	TAPPING SCREW BIND CT 5X12	2	
059	911383-2	PAN HEAD SCREW M6X60	4	
060	265414-2	HEX. FLANGE HEAD BOLT M10X20	1	
061	265121-7	+ FLAT HEAD SCREW M6	1	
062	266034-5	TAPPING SCREW CT 4X16	2	
063	344735-6	CENTER SUPPORT	1	
064	344734-8	CENTER WASHER	1	
065	344736-4	CENTER PLATE	1	
066	922107-1	HEX. SOCKET HEAD BOLT M4X8	2	
067	231643-9	TORSION SPRING 38	1	
068	317152-3	SAFETY COVER	1	
069	256098-7	PIN 5	1	
070	323882-6	COLLARED SHAFT 12	1	
071	253843-1	FLAT WASHER 12	1	
072	911103-4	PAN HEAD SCREW M4X6	1	
073	816128-2	POINTER	1	
074	310086-9	VICE	1	
075	256453-3	PIN 12	1	
076	233103-7	COMPRESSION SPRING 45	1	
077	165066-8	SPRING HOLDER	1	
078	265412-6	HEX. BOLT M8X20	1	
079	266034-5	TAPPING SCREW CT 4X16	1	
080	232075-3	LEAF SPRING	1	
081	265413-4	HEX. BOLT M16	1	
082	253771-0	FLAT WASHER 16	1	
083	252044-8	HEX. NUT M16-24	1	
084	344740-3	DUST BOX	1	
085	421671-4	RUBBER PAD	1	
086	421670-6	CUSHION	1	
087	257222-5	RING 8	1	
088	253731-2	FLAT WASHER 8	2	
089	268040-6	PIN 16	1	
090	344118-0	VICE PLATE	1	
091	346633-0	LINK PLATE	1	
092	267236-6	FLAT WASHER 8	2	
093	265089-7	+ PAN HEAD SCREW M6	2	
094	912212-2	COUNTERSUNK HEAD SCREW M5X12	3	
095	344119-8	GUIDE PLATE	1	
096	344739-8	UNDER PLATE	1	
097	266026-4	TAPPING SCREW BIND CT 4X12	3	
098	286212-1	CAP 20	5	
099	151624-6	BASE COMPLETE	1	
100	286236-7	CAP 16	1	
101	961014-3	STOP RING E-8	2	
102	323883-4	LEVER ROD 10	1	
103	253024-7	FLAT WASHER 10	1	
104	252161-4	HEX. NUT M10-17	1	
105	151622-0	LEVER HOLDER COMPLETE	1	
106	941152-7	FLAT WASHER 6	1	
107	265381-1	HEX. BOLT M6X16	1	
108	951063-8	SPRING PIN 3-16	1	
109	322679-0	VICE SCREW	1	
110	322209-7	VICE NUT	1	
111	911451-1	PAN HEAD SCREW M8X30	2	
112	311949-2	SCREW GUIDE	1	
113	271072-4	HANDLE 100	1	
114	951166-8	SPRING PIN 5-24	1	
115	257157-0	RING 8	1	
A01	782210-8	SOCKET WRENCH 17	1	
A02	192219-6	SAFETY GOGGLE	1	
A03	A-86723	T.C.T.SAW BLADE 305X60TX25.4	1	

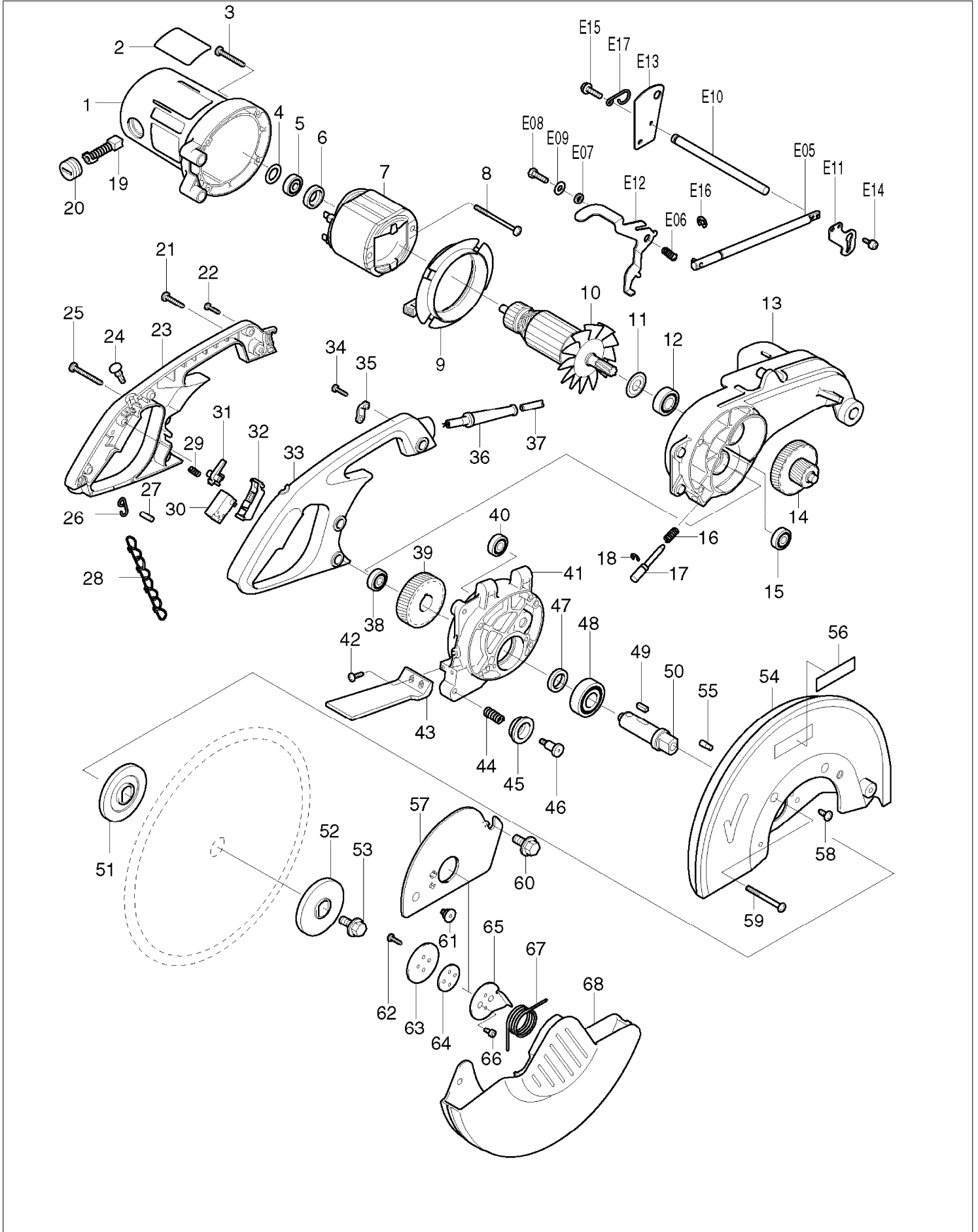
SPARE PARTS LIST

MODEL NO. LC1230

ITEM	PART NO.	DESCRIPTION	QTY	NOTE
A04	411478-6	SWITCH BUTTON	2	
E01	645200-1	NOISE SUPPRESSOR	1	
E05	151642-4	ROD 12 COMPLETE	1	
E06	233197-2	COMPRESSION SPRING 7	1	
E07	257078-6	RING 6	1	
E08	265381-1	HEX. BOLT M6X16	1	
E09	267133-6	FLAT WASHER 6	1	
E10	323885-0	LOCK PIN 12	1	
E11	344742-9	LOCK PLATE	1	
E12	344743-7	LOCK LEVER	1	
E13	346632-2	STOPPER PLATE	1	
E14	911118-1	PAN HEAD SCREW M4X12	2	
E15	922331-6	HEX. SOCKET HEAD BOLT M6X20	2	
E16	961014-3	STOP RING E-8	1	

SERVICE DRAWING

MODEL NO. LC1230



SERVICE DRAWING

MODEL NO. LC1230

